

Product availability : Stock - Normally stocked in distribution facility



Price* : 3151.00 USD



Main

Range of product	Modicon Quantum automation platform
Product or component type	Ethernet I/O head module

Complementary

Product compatibility	140CPU6xxxx
Communication port protocol	Ethernet/IP Modbus TCP
Exchange mode	Full duplex
Maximum number of connections	128
Transmission rate	10/100 Mbit/s
Redundancy	Yes hot standby redundant architecture
Topology	Daisy chain loop Redundant ring
Web server	Embedded
Communication service	CIP Explicit messaging (client messaging) FDR server SNMP agent Embedded 4-port switch Device Type Manager (DTM) Quality of Service (QoS) NTP time synchronization CIP implicit messaging (I/O communication) DHCP/BootP server
Ethernet service	Rapid Scanning Tree Protocol (RSTP)
Transmission support medium	Twisted pair
Port Ethernet	10BASE-T/100BASE-TX, connector type: RJ45
Marking	CE
Supply	Via the power supply of the rack
Local signalling	1 LED green communication on the bus (Active)

1 LED green configuration status (Ready)
 1 LED green/red device network status (Net Status 1)
 1 LED green/red extended DIO network status (Net Status 2)
 1 LED green/red module status (Mod Status)
 1 LED green/red network communication status (Net Status)

Module format	Standard
Product weight	0.76 lb(US) (0.345 kg)

Environment

Standards	UL 508 EN 61131-2 EN 61131-1 IEC 61000-4-16 EN 55011 FM Class 1 Division 2 CSA C22.2 No 142
Product certifications	GOST LR Hazardous location class 1, division 2 C-Tick Merchant Navy
IP degree of protection	IP20
Ambient air temperature for operation	32...140 °F (0...60 °C)
Relative humidity	10...95 % at 140 °F (60 °C) - without condensation

Ordering and shipping details

Category	18150 - QUANTUM CONTROLLERS,HSBY,COMM.
Discount Schedule	PC21
GTIN	00785901298540
Nbr. of units in pkg.	1
Package weight(Lbs)	1.22
Returnability	Y
Country of origin	FR

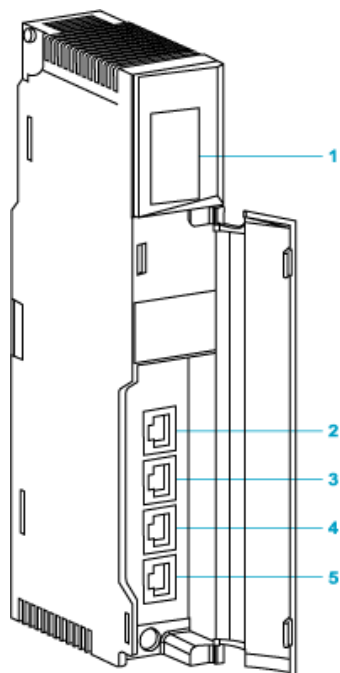
Offer Sustainability

Sustainable offer status	Green Premium product
RoHS (date code: YYWW)	Compliant - since 1208 - Schneider Electric declaration of conformity Schneider Electric declaration of conformity
REACH	Reference not containing SVHC above the threshold Reference not containing SVHC above the threshold
Product environmental profile	Available
Product end of life instructions	Available

Contractual warranty

Warranty period	18 months
-----------------	-----------

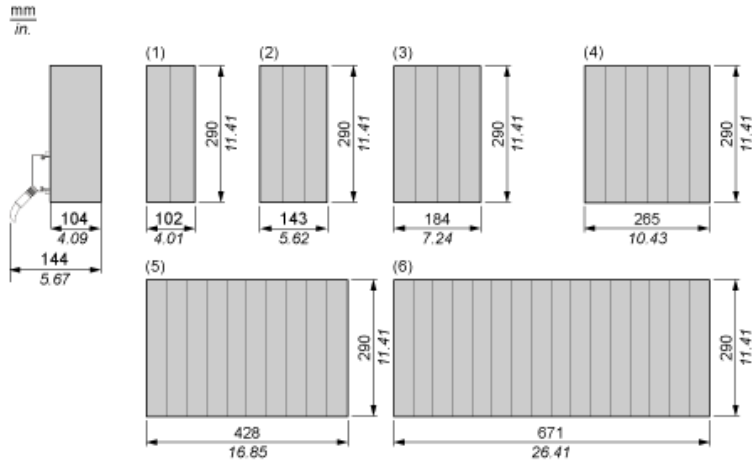
Presentation



- 1 LED display
- 2 SERVICE port (ETH 1)
- 3 INTERLINK port (ETH 2)
- 4 DEVICE NETWORK port (ETH 3)
- 5 DEVICE NETWORK port (ETH 4)

Racks for Modules Mounting

Dimensions of Modules and Racks



- (1) 2 slots
- (2) 3 slots
- (3) 4 slots
- (4) 6 slots
- (5) 10 slots
- (6) 16 slots