

140NOC78100

Modicon Quantum Ethernet control network module - RJ45 - 10/100 Mbit/s

Product availability : Stock - Normally stocked in distribution facility



Price* : 3605.25 USD



Main

Range of product	Modicon Quantum automation platform
Product or component type	Ethernet control module

Complementary

Product compatibility	140CPU6xxxx
Communication port protocol	Ethernet/IP Modbus TCP
Exchange mode	Full duplex
Maximum number of connections	64
Transmission rate	10/100 Mbit/s
Redundancy	Yes hot standby redundant architecture
Topology	Redundant ring Daisy chain loop
Web server	Embedded
Communication service	Device Type Manager (DTM) CIP Explicit messaging (client messaging) Embedded 4-port switch SMTP e-mail notification Embedded router Quality of Service (QoS) FDR server DHCP/BootP server SNMP agent CIP implicit messaging (I/O communication) NTP time synchronization
Ethernet service	Rapid Scanning Tree Protocol (RSTP)
Transmission support medium	Twisted pair
Port Ethernet	10BASE-T/100BASE-TX, connector type: RJ45
Marking	CE

Disclaimer: This documentation is not intended as a substitute for and is not to be used for determining suitability or reliability of these products for specific user applications.

Supply	Via the power supply of the rack
Local signalling	1 LED green communication on the bus (Active) 1 LED green configuration status (Ready) 1 LED green/red device network status (Net Status 1) 1 LED green/red extended DIO network status (Net Status 2) 1 LED green/red module status (Mod Status) 1 LED green/red network communication status (Net Status)
Module format	Standard
Product weight	0.76 lb(US) (0.345 kg)

Environment

Standards	FM Class 1 Division 2 EN 61131-1 UL 508 CSA C22.2 No 142 EN 55011 EN 61131-2 IEC 61000-4-16
Product certifications	C-Tick GOST Merchant Navy LR Hazardous location class 1, division 2
IP degree of protection	IP20
Ambient air temperature for operation	32...140 °F (0...60 °C)
Relative humidity	10...95 % at 140 °F (60 °C) - without condensation

Ordering and shipping details

Category	18150 - QUANTUM CONTROLLERS,HSBY,COMM.
Discount Schedule	PC21
GTIN	00785901282754
Nbr. of units in pkg.	1
Package weight(Lbs)	1.22
Returnability	Y
Country of origin	FR

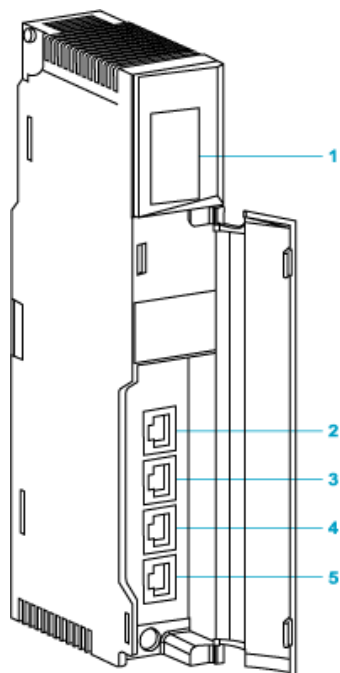
Offer Sustainability

Sustainable offer status	Green Premium product
RoHS (date code: YYWW)	Compliant - since 1208 - Schneider Electric declaration of conformity Schneider Electric declaration of conformity
REACH	Reference not containing SVHC above the threshold Reference not containing SVHC above the threshold
Product environmental profile	Available
Product end of life instructions	Available

Contractual warranty

Warranty period	18 months
-----------------	-----------

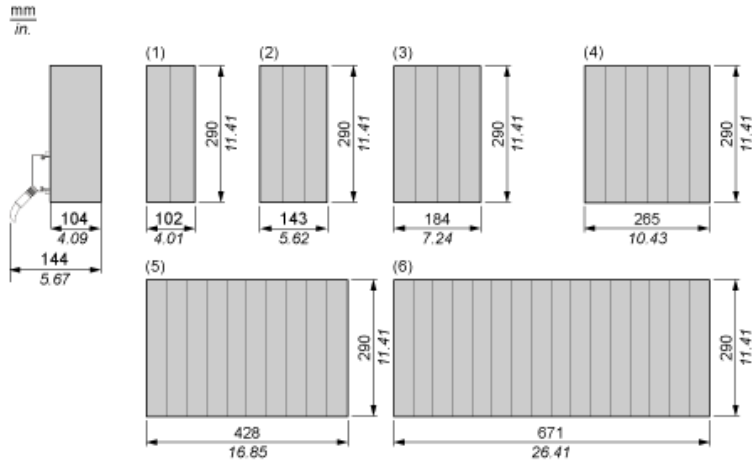
Presentation



- 1 LED display
- 2 SERVICE/EXTEND port (ETH 1)
- 3 INTERLINK port (ETH 2)
- 4 CTRL NETWORK port (ETH 3)
- 5 CTRL NETWORK port (ETH 4)

Racks for Modules Mounting

Dimensions of Modules and Racks



- (1) 2 slots
- (2) 3 slots
- (3) 4 slots
- (4) 6 slots
- (5) 10 slots
- (6) 16 slots