

Product availability : Stock - Normally stocked in distribution facility



Price* : 2334.00 USD



Main

Range of product	Modicon Quantum automation platform
Product or component type	Safety dc discrete input module

Complementary

Discrete input number	16
Group of channels	1
Logic input	Positive (sink)
Discrete input voltage	24 V DC
Voltage state 1 guaranteed	11...30 V DC
Voltage state 0 guaranteed	-3...5 V DC
Current state 1 guaranteed	≥ 3 mA
Current state 0 guaranteed	≤ 1.5 mA
Sensor power supply	19.2...30 V
Addressing requirement	7 input words
Input impedance	3675 Ohm
Absolute maximum input	30 V
Response time	≤ 25 ms from state 0 to state 1 ≤ 25 ms from state 1 to state 0
Protection type	By internal rectifier
Associated fuse rating	1 A fast blow
Power dissipation	2.75 W + (0.25 x number of points on)
Isolation between group and bus	1500 Vrms for 1 minute
Checks	Diagnostic of internal channel fault System failure Broken wire detection
Local signalling	1 LED green bus communication is present (Active) 1 LED red external fault detected (F)

16 LEDs green input status
16 LEDs red system failure, diagnostic of internal channel fault

Marking	CE
Bus current requirement	550 mA

Environment

Product certifications	CSA HazLoc CSA TÜV Rheinland (SIL2) UL
------------------------	---

Ordering and shipping details

Category	18151 - SIL 2 QUANTUM
Discount Schedule	PC21
GTIN	00785901865377
Nbr. of units in pkg.	1
Package weight(Lbs)	2.2000000000000002
Returnability	N
Country of origin	FR

Offer Sustainability

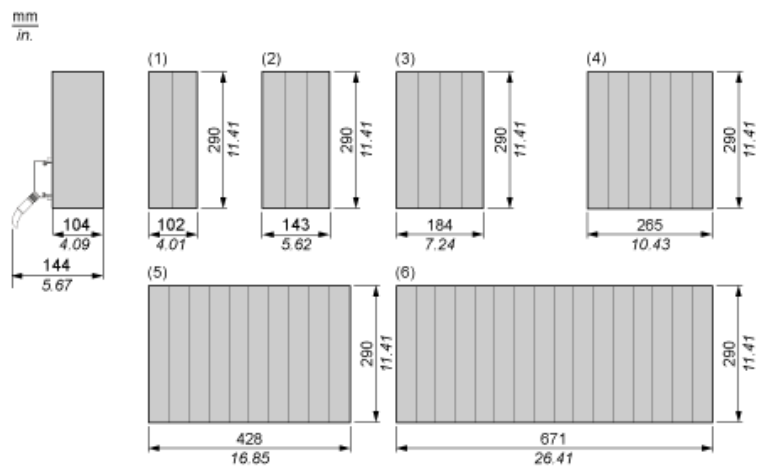
Sustainable offer status	Green Premium product
RoHS (date code: YYWW)	Compliant - since 0749 - Schneider Electric declaration of conformity Schneider Electric declaration of conformity
REACH	Reference not containing SVHC above the threshold Reference not containing SVHC above the threshold
Product environmental profile	Available
Product end of life instructions	Available

Contractual warranty

Warranty period	18 months
-----------------	-----------

Racks for Modules Mounting

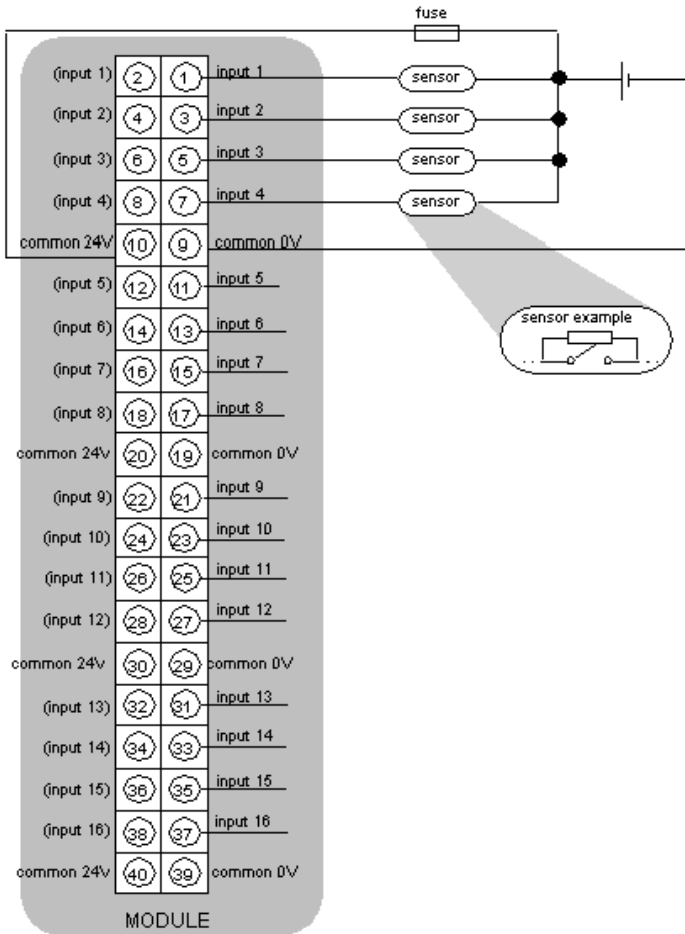
Dimensions of Modules and Racks



- (1) 2 slots
- (2) 3 slots
- (3) 4 slots
- (4) 6 slots
- (5) 10 slots
- (6) 16 slots

24 Vdc 16-Channel Digital Input Module

Wiring Diagram



fuse: 1 A fast blow

pull-up resistor (in sensor example):

NOTE: There is only one group of 16 inputs. All common 24 V are internally connected and all common 0 V are also internally connected. The two pins of a same input (e. g. pin 1 and 2 for input 1) are internally connected too so that you can use either the right pin or the left one.