



Figure similar

Power contactor, AC-3 12 A, 5.5 kW / 400 V 230 V AC, 50 Hz 3-pole, Size S0 Screw terminal !!! Phased-out product !!! Successor is SIRIUS 3RT2 Preferred successor type is >>3RT2024-1AP00<<

<b>product brand name</b>	SIRIUS
<b>product designation</b>	power contactor
<b>General technical data</b>	
<b>size of contactor</b>	S0
<b>degree of pollution</b>	3
protection class IP	
• on the front	IP20
• of the terminal	IP00
<b>mechanical service life (operating cycles)</b>	
• of contactor typical	10 000 000
• of the contactor with added electronically optimized auxiliary switch block typical	5 000 000
• of the contactor with added auxiliary switch block typical	10 000 000
<b>reference code acc. to IEC 81346-2</b>	Q
Substance Prohibitance (Date)	01.07.2006 00:00:00
<b>Ambient conditions</b>	
installation altitude at height above sea level maximum	2 000 m
<b>ambient temperature</b>	
• during operation	-25 ... +60 °C
<b>Main circuit</b>	
<b>number of poles for main current circuit</b>	3
<b>number of NO contacts for main contacts</b>	3
<b>number of NC contacts for main contacts</b>	0
<b>operational current</b>	
• at AC-1 at 400 V at ambient temperature 40 °C rated value	40 A
• at AC-1	
— up to 690 V at ambient temperature 40 °C rated value	40 A
— up to 690 V at ambient temperature 60 °C rated value	35 A
• at AC-3	
— at 400 V rated value	12 A
• at AC-4 at 400 V rated value	12.5 A
<b>operational current</b>	
• at 1 current path at DC-1	
— at 24 V rated value	35 A

— at 110 V rated value	4.5 A
● with 2 current paths in series at DC-1	
— at 24 V rated value	35 A
— at 110 V rated value	35 A
● with 3 current paths in series at DC-1	
— at 24 V rated value	35 A
— at 110 V rated value	35 A
<b>operational current</b>	
● at 1 current path at DC-3 at DC-5	
— at 24 V rated value	20 A
— at 110 V rated value	2.5 A
● with 2 current paths in series at DC-3 at DC-5	
— at 24 V rated value	35 A
— at 110 V rated value	15 A
● with 3 current paths in series at DC-3 at DC-5	
— at 24 V rated value	35 A
— at 110 V rated value	35 A
<b>operating power</b>	
● at AC-1	
— at 400 V rated value	23 kW
● at AC-2 at 400 V rated value	5.5 kW
● at AC-3	
— at 400 V rated value	5.5 kW
— at 500 V rated value	7.5 kW
— at 690 V rated value	7.5 kW
<b>Control circuit/ Control</b>	
<b>type of voltage of the control supply voltage</b>	AC
<b>control supply voltage at AC</b>	
● at 50 Hz rated value	230 V
<b>control supply voltage frequency</b>	
● 1 rated value	50 Hz
<b>operating range factor control supply voltage rated value of magnet coil at AC</b>	
● at 50 Hz	0.8 ... 1.1
<b>apparent pick-up power of magnet coil at AC</b>	61 V·A
<b>inductive power factor with closing power of the coil</b>	0.82
<b>apparent holding power of magnet coil at AC</b>	7.8 V·A
<b>inductive power factor with the holding power of the coil</b>	0.24
<b>Auxiliary circuit</b>	
number of NC contacts for auxiliary contacts instantaneous contact	0
number of NO contacts for auxiliary contacts instantaneous contact	0
operational current at AC-12 maximum	10 A
<b>operational current at AC-15</b>	
● at 230 V rated value	6 A
● at 400 V rated value	3 A
<b>operational current at DC-12</b>	
● at 60 V rated value	6 A
● at 110 V rated value	3 A
● at 220 V rated value	1 A
<b>operational current at DC-13</b>	
● at 24 V rated value	10 A
● at 60 V rated value	2 A
● at 110 V rated value	1 A
● at 220 V rated value	0.3 A
<b>contact reliability of auxiliary contacts</b>	1 faulty switching per 100 million (17 V, 1 mA)
<b>Short-circuit protection</b>	

<b>design of the fuse link</b>	
<ul style="list-style-type: none"> <li>• for short-circuit protection of the main circuit <ul style="list-style-type: none"> <li>— with type of coordination 1 required</li> <li>— with type of assignment 2 required</li> </ul> </li> <li>• for short-circuit protection of the auxiliary switch required</li> </ul>	fuse gL/gG: 63 A fuse gL/gG: 25 A fuse gL/gG: 10 A

Installation/ mounting/ dimensions	
<b>fastening method</b>	screw and snap-on mounting onto 35 mm standard mounting rail according to DIN EN 50022
<ul style="list-style-type: none"> <li>• side-by-side mounting</li> </ul>	Yes
<b>height</b>	85 mm
<b>width</b>	45 mm
<b>depth</b>	91 mm
required spacing for grounded parts at the side	6 mm

Connections/ Terminals	
<b>type of electrical connection</b>	
<ul style="list-style-type: none"> <li>• for main current circuit</li> <li>• for auxiliary and control circuit</li> </ul>	screw-type terminals screw-type terminals
<b>type of connectable conductor cross-sections</b>	
<ul style="list-style-type: none"> <li>• for main contacts <ul style="list-style-type: none"> <li>— solid</li> <li>— solid or stranded</li> <li>— finely stranded with core end processing</li> </ul> </li> <li>• at AWG cables for main contacts</li> </ul>	2x (1 ... 2.5 mm <sup>2</sup> ), 2x (2.5 ... 6 mm <sup>2</sup> ), max. 2x 10 mm <sup>2</sup> 2x (1 ... 2,5 mm <sup>2</sup> ), 2x (2,5 ... 6 mm <sup>2</sup> ), max. 2x 10 mm <sup>2</sup> 2x (1 ... 2.5 mm <sup>2</sup> ), 2x (2.5 ... 6 mm <sup>2</sup> ) 2x (16 ... 12), 2x (14 ... 10), 1x 8
<b>type of connectable conductor cross-sections</b>	
<ul style="list-style-type: none"> <li>• for auxiliary contacts <ul style="list-style-type: none"> <li>— solid</li> <li>— finely stranded with core end processing</li> </ul> </li> <li>• at AWG cables for auxiliary contacts</li> </ul>	2x (0.5 ... 1.5 mm <sup>2</sup> ), 2x (0.75 ... 2.5 mm <sup>2</sup> ), max. 2x (0.75 ... 4 mm <sup>2</sup> ) 2x (0.5 ... 1.5 mm <sup>2</sup> ), 2x (0.75 ... 2.5 mm <sup>2</sup> ) 2x (20 ... 16), 2x (18 ... 14), 1x 12

Certificates/ approvals		
General Product Approval	EMC	Declaration of Conformity



Miscellaneous



Test Certificates	Marine / Shipping
-------------------	-------------------

[Special Test Certificate](#)

[Type Test Certificates/Test Report](#)



Marine / Shipping	other	Railway			
-------------------	-------	---------	--	--	--



[Confirmation](#)

[Miscellaneous](#)

[Miscellaneous](#)

[Confirmation](#)

[Special Test Certificate](#)

### Further information

Information- and Downloadcenter (Catalogs, Brochures,...)

<https://www.siemens.com/ic10>

Industry Mall (Online ordering system)

<https://mall.industry.siemens.com/mall/en/en/Catalog/product?mf=3RT1024-1AP00>

Cax online generator

<http://support.automation.siemens.com/WW/CAXorder/default.aspx?lang=en&mlfb=3RT1024-1AP00>

Service&Support (Manuals, Certificates, Characteristics, FAQs,...)

<https://support.industry.siemens.com/cs/ww/en/ps/3RT1024-1AP00>

Image database (product images, 2D dimension drawings, 3D models, device circuit diagrams, EPLAN macros, ...)

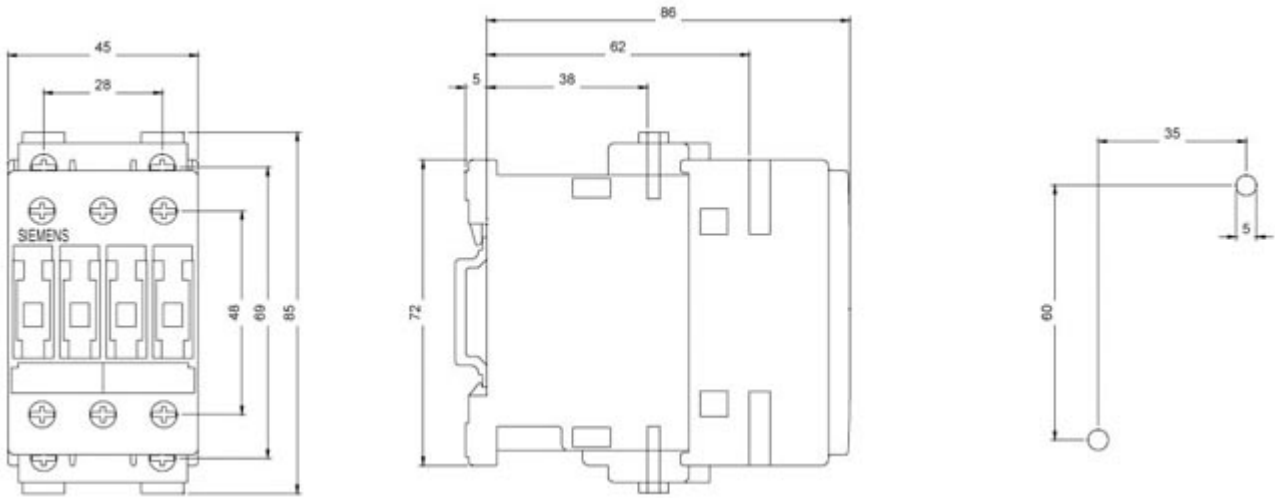
[http://www.automation.siemens.com/bilddb/cax\\_de.aspx?mlfb=3RT1024-1AP00&lang=en](http://www.automation.siemens.com/bilddb/cax_de.aspx?mlfb=3RT1024-1AP00&lang=en)

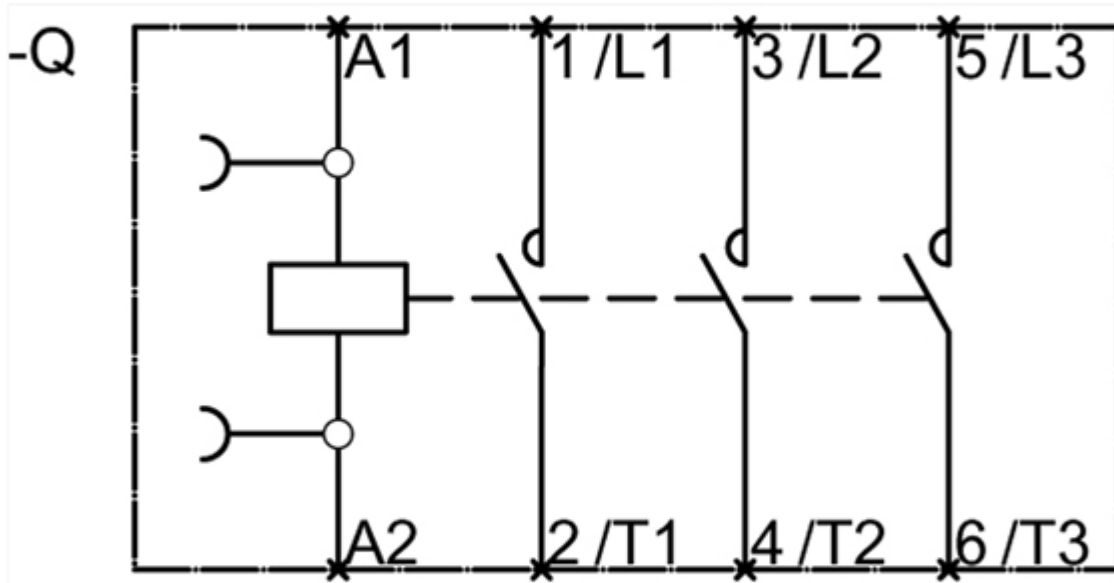
Characteristic: Tripping characteristics,  $I^2t$ , Let-through current

<https://support.industry.siemens.com/cs/ww/en/ps/3RT1024-1AP00/char>

Further characteristics (e.g. electrical endurance, switching frequency)

<http://www.automation.siemens.com/bilddb/index.aspx?view=Search&mlfb=3RT1024-1AP00&objecttype=14&gridview=view1>





last modified:

2/28/2021 [🔗](#)