

Contactor, AC-1, 690 A/690 V/40 °C, S12, 3-pole, 220-240 V AC/DC, with varistor, 2 NO+2 NC, Connection rail/ screw terminal



product brand name	SIRIUS
product designation	Contactor
product type designation	3RT14
General technical data	
size of contactor	S12
product extension	
• function module for communication	No
• auxiliary switch	Yes
insulation voltage	
• of main circuit with degree of pollution 3 rated value	1 000 V
• of auxiliary circuit with degree of pollution 3 rated value	690 V
surge voltage resistance	
• of main circuit rated value	8 kV
• of auxiliary circuit rated value	6 kV
protection class IP	
• on the front	IP00; IP20 on the front with cover / box terminal
• of the terminal	IP00

shock resistance at rectangular impulse	
• at AC	8,5g / 5 ms, 4,2g / 10 ms
• at DC	8,5g / 5 ms, 4,2g / 10 ms
shock resistance with sine pulse	
• at AC	13,4g / 5 ms, 6,5g / 10 ms
• at DC	13,4g / 5 ms, 6,5g / 10 ms
mechanical service life (switching cycles)	
• of contactor typical	10 000 000
• of the contactor with added electronics-compatible auxiliary switch block typical	5 000 000
• of the contactor with added auxiliary switch block typical	10 000 000
reference code acc. to DIN EN 81346-2	Q

Ambient conditions

• installation altitude at height above sea level maximum	2 000 m
ambient temperature	
• during operation	-25 ... +60 °C
• during storage	-55 ... +80 °C
relative humidity during operation	0 ... 95 %

Main circuit

number of poles for main current circuit	3
number of NO contacts for main contacts	3
type of voltage for main current circuit	AC
operating voltage	
• at AC	
— at 50 Hz rated value	240 V
— at 60 Hz rated value	240 V
operating current	
• at AC-1	
— up to 690 V at ambient temperature 40 °C rated value	690 A
— up to 690 V at ambient temperature 55 °C rated value	650 A
— up to 690 V at ambient temperature 60 °C rated value	650 A
• at AC-3 at 400 V rated value	170 A
minimum cross-section in main circuit	
• at maximum AC-1 rated value	480 mm ²
no-load switching frequency	
• at AC	2 000 1/h
• at DC	2 000 1/h

operating frequency	
<ul style="list-style-type: none"> • at AC-1 maximum 	600 1/h
Control circuit/ Control	
type of voltage	AC/DC
type of voltage of the control supply voltage	AC/DC
control supply voltage at AC	
<ul style="list-style-type: none"> • at 50 Hz rated value 	220 ... 240 V
<ul style="list-style-type: none"> • at 60 Hz rated value 	220 ... 240 V
control supply voltage at DC	
<ul style="list-style-type: none"> • rated value 	220 ... 240 V
operating range factor control supply voltage rated value of magnet coil at DC	
<ul style="list-style-type: none"> • initial value 	0.8
<ul style="list-style-type: none"> • full-scale value 	1.1
operating range factor control supply voltage rated value of magnet coil at AC	
<ul style="list-style-type: none"> • at 50 Hz 	0.8 ... 1.1
<ul style="list-style-type: none"> • at 60 Hz 	0.8 ... 1.1
design of the surge suppressor	with varistor
apparent pick-up power of magnet coil at AC	
<ul style="list-style-type: none"> • at 50 Hz 	830 V·A
inductive power factor with closing power of the coil	
<ul style="list-style-type: none"> • at 50 Hz 	0.9
apparent holding power of magnet coil at AC	
<ul style="list-style-type: none"> • at 50 Hz 	9.2 V·A
inductive power factor with the holding power of the coil	
<ul style="list-style-type: none"> • at 50 Hz 	0.9
closing power of magnet coil at DC	920 W
holding power of magnet coil at DC	10 W
closing delay	
<ul style="list-style-type: none"> • at AC 	45 ... 100 ms
<ul style="list-style-type: none"> • at DC 	45 ... 100 ms
opening delay	
<ul style="list-style-type: none"> • at AC 	60 ... 100 ms
<ul style="list-style-type: none"> • at DC 	60 ... 100 ms
arcing time	10 ... 15 ms
control version of the switch operating mechanism	Standard A1 - A2
Auxiliary circuit	
number of NC contacts for auxiliary contacts	2
<ul style="list-style-type: none"> • attachable 	4
<ul style="list-style-type: none"> • instantaneous contact 	2

number of NO contacts for auxiliary contacts	2
• attachable	4
• instantaneous contact	2
operating current at AC-12 maximum	10 A
operating current at AC-15	
• at 230 V rated value	6 A
• at 400 V rated value	3 A
• at 500 V rated value	2 A
• at 690 V rated value	1 A
operating current at DC-13	
• at 24 V rated value	10 A
• at 48 V rated value	2 A
• at 60 V rated value	2 A
• at 110 V rated value	1 A
• at 125 V rated value	0.9 A
• at 220 V rated value	0.3 A
• at 600 V rated value	0.1 A
design of the miniature circuit breaker	
• for short-circuit protection of the auxiliary switch required	gG: 10 A (230 V, 400 A)
contact reliability of auxiliary contacts	1 faulty switching per 100 million (17 V, 1 mA)

Short-circuit protection

product function short circuit protection	No
design of the fuse link	
• for short-circuit protection of the main circuit	
— with type of coordination 1 required	gG: 800 A (690 V, 50 kA)
— with type of assignment 2 required	gR: 710 A (690 V, 100 kA)
• for short-circuit protection of the auxiliary switch required	gG: 10 A (500 V, 1 kA)

Installation/ mounting/ dimensions

mounting position	with vertical mounting surface +/-90° rotatable, with vertical mounting surface +/- 22.5° tiltable to the front and back
mounting type	screw fixing
• side-by-side mounting	Yes
height	214 mm
width	160 mm
depth	225 mm
required spacing	
• with side-by-side mounting	
— forwards	20 mm
— upwards	10 mm
— downwards	10 mm

— at the side	0 mm
• for grounded parts	
— forwards	20 mm
— upwards	10 mm
— at the side	10 mm
— downwards	10 mm
• for live parts	
— forwards	20 mm
— upwards	10 mm
— downwards	10 mm
— at the side	10 mm

Connections/ Terminals

width of connection bar	25 mm
thickness of connection bar	6 mm
diameter of holes	11 mm
number of holes	1
type of electrical connection	
• for main current circuit	Connection bar
• for auxiliary and control current circuit	screw-type terminals
• at contactor for auxiliary contacts	Screw-type terminals
• of magnet coil	Screw-type terminals
type of connectable conductor cross-sections	
• at AWG conductors for main contacts	2/0 ... 500 kcmil
connectable conductor cross-section for main contacts	
• single or multi-stranded	70 ... 240 mm ²
• stranded	70 ... 240 mm ²
connectable conductor cross-section for auxiliary contacts	
• single or multi-stranded	0.5 ... 4 mm ²
• finely stranded with core end processing	0.5 ... 2.5 mm ²
• type of connectable conductor cross-sections for auxiliary contacts	
— solid	2x (0.5 ... 1.5 mm ²), 2x (0.75 ... 2.5 mm ²), max. 2x (0.75 ... 4 mm ²)
— single or multi-stranded	2x (0,5 ... 1,5 mm ²), 2x (0,75 ... 2,5 mm ²), max. 2x (0,75 ... 4 mm ²)
— finely stranded with core end processing	2x (0.5 ... 1.5 mm ²), 2x (0.75 ... 2.5 mm ²)
• type of connectable conductor cross-sections at AWG conductors for auxiliary contacts	2x (20 ... 16), 2x (18 ... 14), 1x 12

Safety related data

product function	
• mirror contact acc. to IEC 60947-4-1	Yes

- positively driven operation acc. to IEC 60947-5-1

No

protection against electrical shock

finger-safe when touched vertically from front acc. to IEC 60529

Certificates/ approvals

General Product Approval	EMC	Functional Safety/Safety of Machinery
--------------------------	-----	---------------------------------------



[Type Examination Certificate](#)

Declaration of Conformity	Test Certificates	Marine / Shipping
---------------------------	-------------------	-------------------



[Miscellaneous](#)

[Special Test Certificate](#)

[Type Test Certificates/Test Report](#)

[Miscellaneous](#)



Marine / Shipping	other	Railway
-------------------	-------	---------



[Confirmation](#)

[Miscellaneous](#)

[Special Test Certificate](#)

Further information

Information- and Downloadcenter (Catalogs, Brochures,...)

<https://www.siemens.com/ic10>

Industry Mall (Online ordering system)

<https://mall.industry.siemens.com/mall/en/en/Catalog/product?mlfb=3RT1476-6AP36>

Cax online generator

<http://support.automation.siemens.com/WW/CAXorder/default.aspx?lang=en&mlfb=3RT1476-6AP36>

Service&Support (Manuals, Certificates, Characteristics, FAQs,...)

<https://support.industry.siemens.com/cs/ww/en/ps/3RT1476-6AP36>

Image database (product images, 2D dimension drawings, 3D models, device circuit diagrams, EPLAN macros, ...)

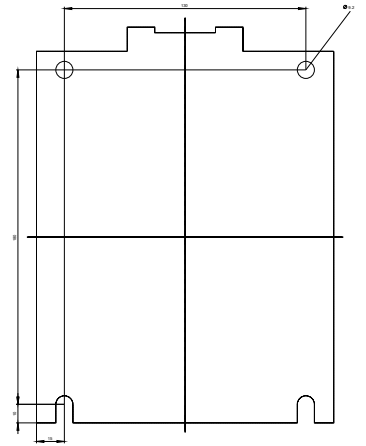
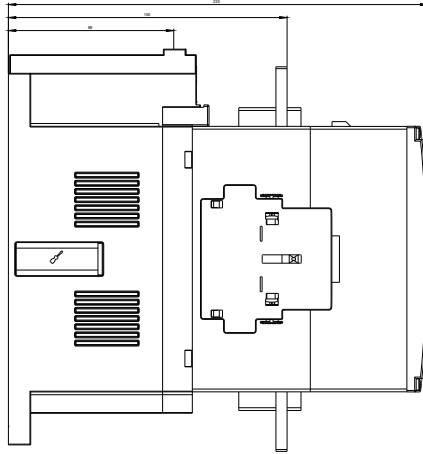
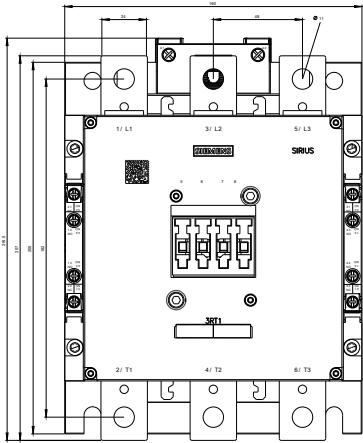
http://www.automation.siemens.com/bilddb/cax_de.aspx?mlfb=3RT1476-6AP36&lang=en

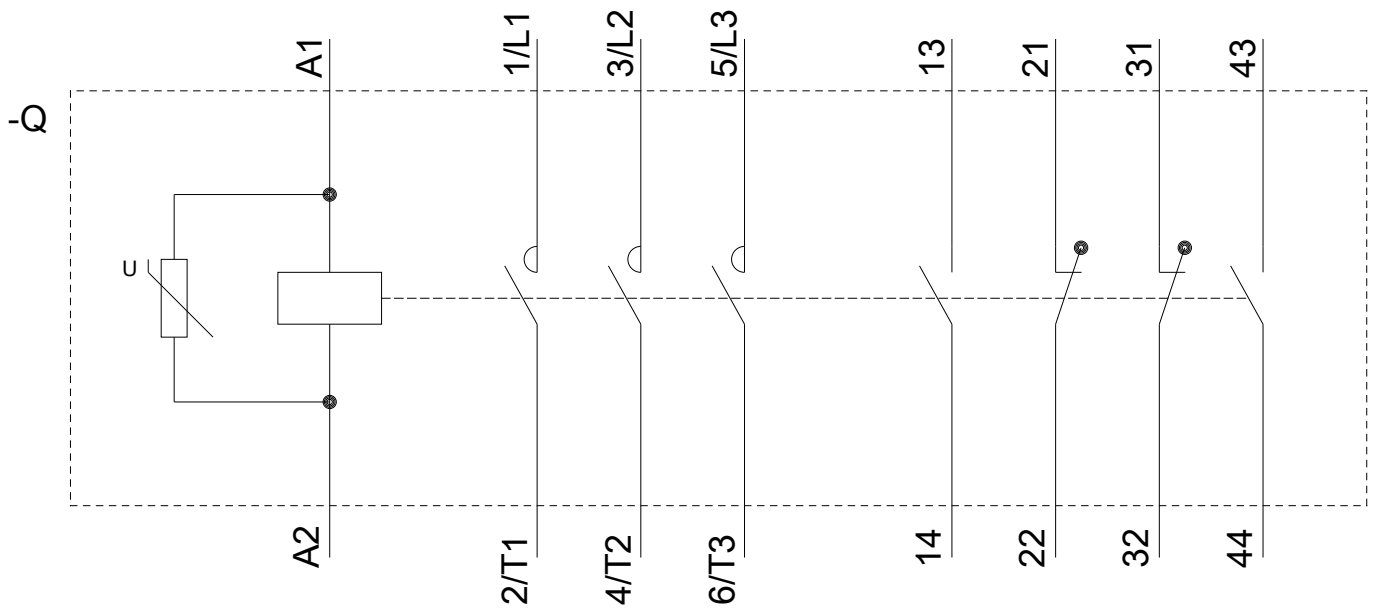
Characteristic: Tripping characteristics, I_{Δt}, Let-through current

<https://support.industry.siemens.com/cs/ww/en/ps/3RT1476-6AP36/char>

Further characteristics (e.g. electrical endurance, switching frequency)

<http://www.automation.siemens.com/bilddb/index.aspx?view=Search&mlfb=3RT1476-6AP36&objecttype=14&gridview=view1>





last modified:

09/08/2020