



Front screen for protective housing

SICK
Sensor Intelligence.



Ordering information

Type	Part no.
Front screen for protective housing	4090054

Other models and accessories → www.sick.com/

Detailed technical data

Technical specifications

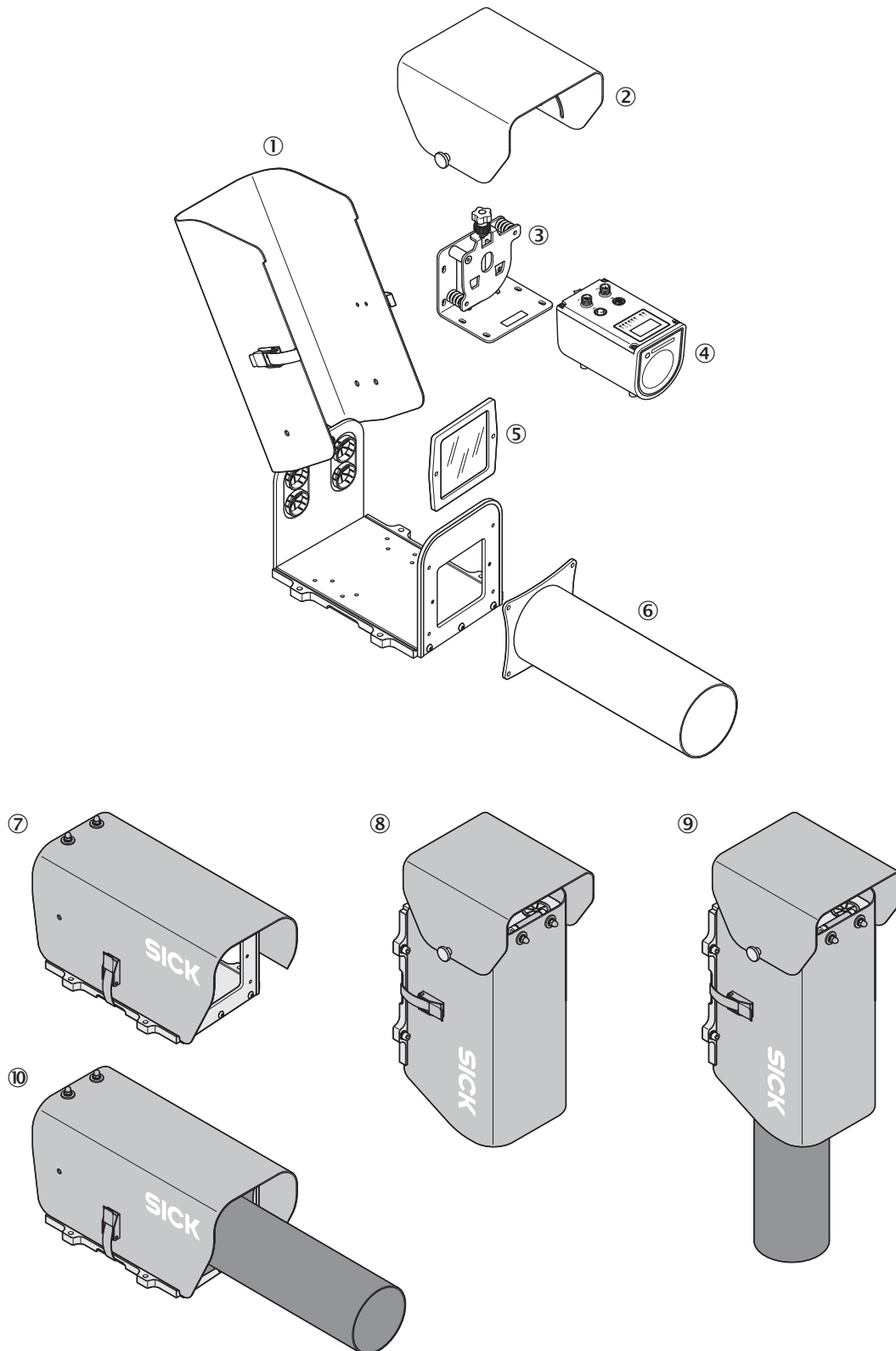
Accessory group	Device protection (mechanical)
Accessory family	Protective housings and protective pipes
Material	Borosilicate glass
Description	Replacement front screen for protective housing.
Weight	41 g

Classifications

ECl@ss 5.0	27371205
ECl@ss 5.1.4	27371205
ECl@ss 6.0	27371205
ECl@ss 6.2	27371205
ECl@ss 7.0	27371205
ECl@ss 8.0	27371205
ECl@ss 8.1	27371205
ECl@ss 9.0	27371205
ECl@ss 10.0	27371205
ECl@ss 11.0	27371205
ETIM 5.0	EC000200
ETIM 6.0	EC000200
ETIM 7.0	EC000200
ETIM 8.0	EC000200
UNSPSC 16.0901	32131023

Instruction for installation

Mounting variants for weatherproof housing



- ① Weatherproof housing (part number 2087690)
- ② Rain cover for protective housing (part number 2087695)
- ③ Alignment bracket (part number 2080392)

- ④ Dx1000
- ⑤ Front screen (part number 4090054)
- ⑥ Tube (part number 2087693)
- ⑦ Mounting variant, protective housing
- ⑧ Mounting variant, protective housing with rain cover for protective housing
- ⑨ Mounting variant, protective housing with rain cover for protective housing and tube
- ⑩ Mounting variant, protective housing with tube

SICK AT A GLANCE

SICK is one of the leading manufacturers of intelligent sensors and sensor solutions for industrial applications. A unique range of products and services creates the perfect basis for controlling processes securely and efficiently, protecting individuals from accidents and preventing damage to the environment.

We have extensive experience in a wide range of industries and understand their processes and requirements. With intelligent sensors, we can deliver exactly what our customers need. In application centers in Europe, Asia and North America, system solutions are tested and optimized in accordance with customer specifications. All this makes us a reliable supplier and development partner.

Comprehensive services complete our offering: SICK LifeTime Services provide support throughout the machine life cycle and ensure safety and productivity.

For us, that is “Sensor Intelligence.”

WORLDWIDE PRESENCE:

Contacts and other locations –www.sick.com