



Price\* : 230.00 USD



### Main

Range of product	Advantys Telefast ABE7
Product or component type	Connection sub-base for counter and analogue channels
Number of channels	8
Connections - terminals	<p>Screw type terminals, clamping capacity: 1 x 0.09...1 x 1.5 mm<sup>2</sup> AWG 28...AWG 16 flexible with cable end</p> <p>Screw type terminals, clamping capacity: 1 x 0.14...1 x 2.5 mm<sup>2</sup> AWG 26...AWG 12 solid</p> <p>Screw type terminals, clamping capacity: 1 x 0.14...1 x 2.5 mm<sup>2</sup> AWG 26...AWG 14 flexible without cable end</p> <p>Screw type terminals, clamping capacity: 2 x 0.09...2 x 0.75 mm<sup>2</sup> AWG 28...AWG 20 flexible with cable end</p> <p>Screw type terminals, clamping capacity: 2 x 0.2...2 x 2.5 mm<sup>2</sup> AWG 24...AWG 14 solid</p>

### Complementary

Function of module	<p>Analogue input current , compatible with Premium</p> <p>Analogue input voltage , compatible with Premium</p> <p>Pt 100 , compatible with Premium</p>
Product compatibility	<p>TSXAEY1600 compatible with Premium</p> <p>TSXAEY800 compatible with Premium</p> <p>TSXASY800 compatible with Premium</p> <p>TSXASY810 compatible with Premium</p>
Connection to PLC	SUB-D 25
Fixing mode	<p>By clips on 35 mm symmetrical DIN rail</p> <p>By screws on solid plate with fixing kit</p>
[Ui] rated insulation voltage	2000 V between terminals/mounting rails
Installation category	II conforming to IEC 60664-1
Tightening torque	5.31 lbf.in (0.6 N.m) (with flat Ø 3.5 mm)
Product weight	0.64 lb(US) (0.29 kg)

Disclaimer: This documentation is not intended as a substitute for and is not to be used for determining suitability or reliability of these products for specific user applications

## Environment

Product certifications	GL LROS (Lloyds register of shipping) BV UL CSA DNV
IP degree of protection	IP20 conforming to IEC 60529
Protective treatment	TC
Resistance to incandescent wire	1382 °F (750 °C), extinction time: < 30 s conforming to IEC 60695-2-11
Shock resistance	15 gn 11 ms conforming to IEC 60068-2-27
Vibration resistance	2 gn (f = 10...150 Hz) conforming to IEC 60068-2-6
Resistance to electrostatic discharge	4 kV (contact) conforming to IEC 61000-4-2 level 3 8 kV (air) conforming to IEC 61000-4-2 level 3
Resistance to radiated fields	9.14 V/yd (10 V/m) (26000000...1000000000 Hz) conforming to IEC 61000-4-3 level 3
Resistance to fast transients	2 kV conforming to IEC 61000-4-4 level 3
Ambient air temperature for operation	32...140 °F (0...60 °C) conforming to IEC 61131-2
Ambient air temperature for storage	-40...176 °F (-40...80 °C) conforming to IEC 61131-2
Pollution degree	2 conforming to IEC 60664-1

## Ordering and shipping details

Category	22375 - INTERFACE MODULE(ABA,R,S)
Discount Schedule	CP2
GTIN	00785901152361
Nbr. of units in pkg.	1
Package weight(Lbs)	0.67000000000000004
Returnability	Y
Country of origin	LV

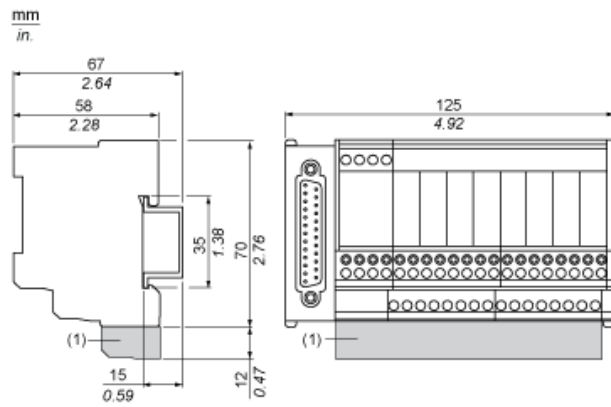
## Offer Sustainability

Sustainable offer status	Green Premium product
RoHS (date code: YYWW)	Compliant - since 0841 - Schneider Electric declaration of conformity <a href="#">Schneider Electric declaration of conformity</a>
REACH	Reference not containing SVHC above the threshold <a href="#">Reference not containing SVHC above the threshold</a>
Product environmental profile	Available
Product end of life instructions	Available

## Contractual warranty

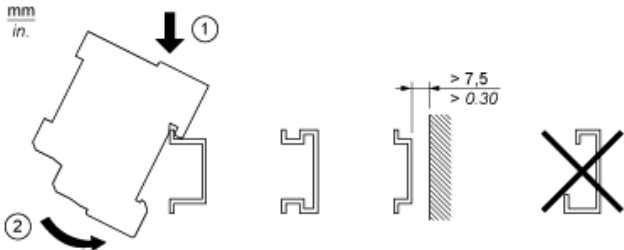
Warranty period	18 months
-----------------	-----------

Dimensions

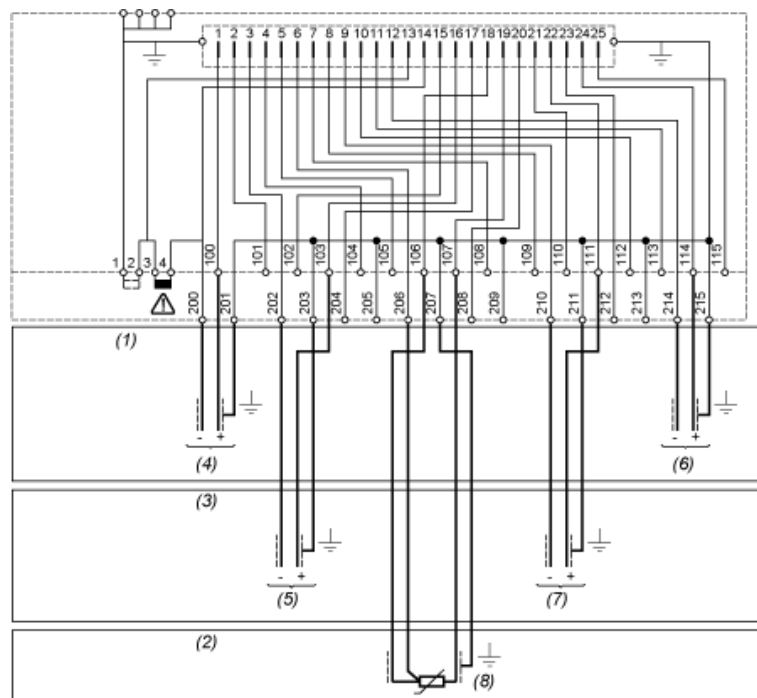


(1) ABE7BV20 / ABE7BV20E

Mounting



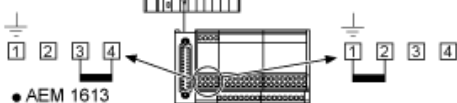
Wiring Diagram



TSX AEY 1600/800  
TSX AEY 420  
IRA 1600  
AEM 160●  
TSX ASY 800

IXA 1600

AEM 8●●



TSX AEY 810

- (1) 8 input voltage - 8 output voltage
- (2) 8 input probe PT100
- (3) 8 input current - 8 output current
- (4) Channel via 1
- (5) Channel via 2
- (6) Channel via 8
- (7) Channel via 6
- (8) Channel via 4