

Product datasheet

Specifications



regulated SMPS - single phase - 100..240 V input - 12 V output - 60 W

ABL1REM12050

! Discontinued on: 01 November 2020

! End-of-service on: 03 November 2020

! Discontinued

Main

| | |
|-----------------------------|--|
| Range of product | Phaseo Dedicated |
| Product or component type | Power supply |
| Power supply type | Regulated switch mode |
| Rated power in W | 60 W |
| Input voltage | 100...240 V AC single phase 120...370 V DC |
| Output voltage | 12 V DC |
| Power supply output current | 5 A |
| Operating position | Any position |
| Vibration resistance | 2 gn (f= 9...150 Hz) conforming to EN/IEC 61131-2 3.5 mm (f= 5...9 Hz) conforming to EN/IEC 61131-2 |
| Name of test | Conducted interference conforming to EN 61000-4-8 level 4 Electrostatic discharges conforming to EN/IEC 61000-4-2 level 3 Induced electromagnetic field conforming to EN/IEC 61000-4-6 level 3 Radiated electromagnetic field conforming to EN/IEC 61000-4-3 level 3 Rapid transient conforming to IEC 61000-4-4 level 3 Conducted/radiated emissions conforming to EN 55022 class B Conducted/radiated emissions conforming to EN/IEC 55011 Emission conforming to EN/IEC 61000-6-3 Primary outage conforming to IEC 61000-4-11 Surge conforming to EN/IEC 61000-4-5 |

Complementary

| | |
|--------------------------|---------------------------------------|
| Input voltage limits | 85...264 V |
| Network frequency | 47...63 Hz |
| Inrush current | 50 A at 115 V AC 100 A at 230 V AC |
| Cos phi | 0.65 |
| Efficiency | 80 % |
| Power dissipation in W | 15 W |
| Current consumption | 1 A at 240 V 2 A at 100 V |
| Input protection type | Integrated fuse (not interchangeable) |
| Output voltage limits | 10.8...13.2 V |
| Line and load regulation | +/- 3 % |

| | |
|--|---|
| Holding time | >= 10 ms at 100 V >= 40 ms at 240 V |
| Output protection type | Against overload, protection technology: 1.1...1.5 x I _n Against overvoltage, protection technology: tripping if U > 1.25 x U _n Against short-circuits, protection technology: automatic reset Thermal |
| Connections - terminals | For ground connection: screw type terminals, connection capacity: 1 x 4 mm ² AWG 12 For input connection: screw type terminals, connection capacity: 2 x 4 mm ² AWG 12 For output connection: screw type terminals, connection capacity: 2 x 4 mm ² AWG 12 |
| Marking | CE |
| Mounting support | Panel Reversible mounting bracket |
| Operating altitude | 2000 m |
| Output coupling | Series Parallel |
| Overvoltage category | II |
| Meantime between failure [MTBF] | 100000 h at 40 °C |
| Status LED | 1 LED (green)output voltage |
| Net weight | 0.44 kg |

Environment

| | |
|--|--|
| Product certifications | KC RCM CSA 22-2 No 60950-1 EAC TUV 60950-1 cCSAus UL 508 |
| Environmental characteristic | EMC conforming to EN 50081-1 EMC conforming to EN 50082-2 EMC conforming to EN 61000-6-3 EMC conforming to EN/IEC 61000-6-2 Safety conforming to EN/IEC 60950-1 Safety conforming to SELV |
| IP degree of protection | IP20 conforming to EN/IEC 60950 |
| Ambient air temperature for operation | 0...45 °C (without derating) 45...60 °C (with derating factor) |
| Ambient air temperature for storage | -25...85 °C |
| Relative humidity | 20...90 % |
| Overvoltage category | Class I conforming to VDE 0106-1 |
| Pollution degree | 2 |
| Dielectric strength | 1500 V between input and ground 3000 V between input and output 500 V between output and ground |

Packing Units

| | |
|-------------------------------------|---------|
| Unit Type of Package 1 | PCE |
| Number of Units in Package 1 | 1 |
| Package 1 Weight | 588 g |
| Package 1 Height | 5.5 cm |
| Package 1 width | 11.8 cm |
| Package 1 Length | 23.5 cm |
| Unit Type of Package 2 | P06 |
| Number of Units in Package 2 | 120 |

| | |
|------------------------------|-----------|
| Package 2 Weight | 84.764 kg |
| Package 2 Height | 77 cm |
| Package 2 width | 80 cm |
| Package 2 Length | 60 cm |
| Unit Type of Package 3 | S03 |
| Number of Units in Package 3 | 15 |
| Package 3 Weight | 8.934 kg |
| Package 3 Height | 30 cm |
| Package 3 width | 30 cm |
| Package 3 Length | 40 cm |

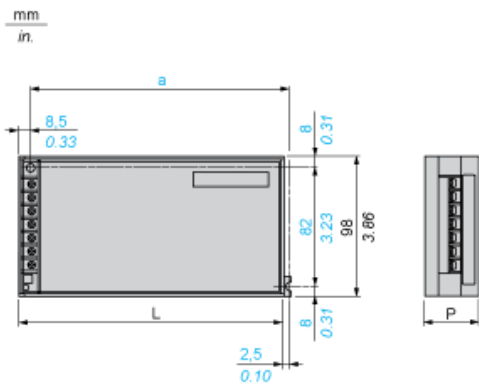
Offer Sustainability

| | |
|----------------------------|---|
| Sustainable offer status | Green Premium product |
| REACH Regulation | REACH Declaration |
| EU RoHS Directive | Pro-active compliance (Product out of EU RoHS legal scope) EU RoHS Declaration |
| Mercury free | Yes |
| RoHS exemption information | Yes |
| China RoHS Regulation | China RoHS declaration |
| Environmental Disclosure | Product Environmental Profile |
| Circularity Profile | End of Life Information |
| PVC free | Yes |

Contractual warranty

| | |
|----------|-----------|
| Warranty | 12 months |
|----------|-----------|

Dimensions



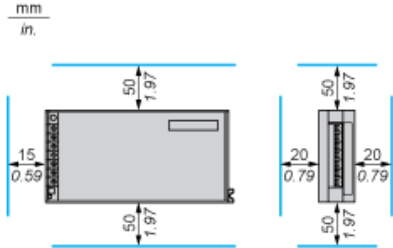
Dimensions in mm

| a | L | P |
|-----|-----|----|
| 144 | 150 | 38 |

Dimensions in in.

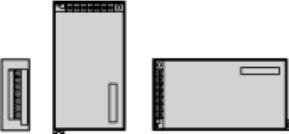
| a | L | P |
|------|------|------|
| 5.67 | 5.91 | 1.50 |

Clearance



Mounting Way

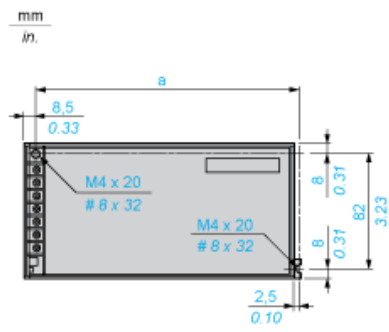
Mounting on Vertical Plane



Mounting on Horizontal Plane



Direct Mounting by 2 M4 x 20 Screws



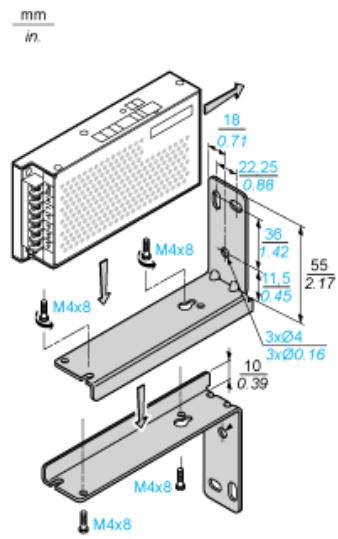
Dimensions in mm

| |
|-----|
| a |
| 144 |

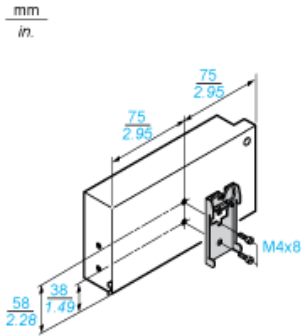
Dimensions in in

| |
|------|
| a |
| 5.67 |

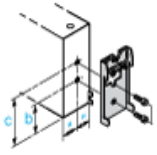
Mounting on the Back on ABL 1A01 Reversible Bracket by Three 4 mm Diameter Screws



Mounting on ABL 1A02 Clip-on Mounting on 35 mm Rail



Mounting by the Back



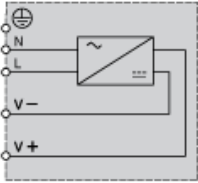
Dimensions in mm

| b | c |
|----|----|
| 38 | 58 |

Dimensions in in.

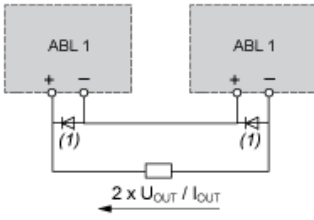
| b | c |
|------|------|
| 1.50 | 2.28 |

Internal Wiring Diagram

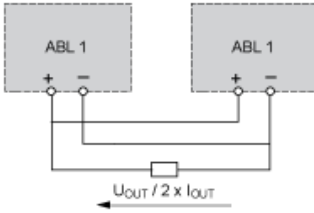


Series or Parallel Connection

Series Connection



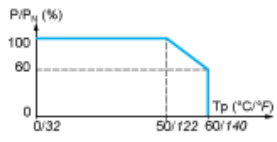
Parallel Connection



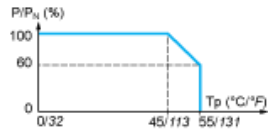
(1) 8 A/100 V Shottky diode

Derating Curves

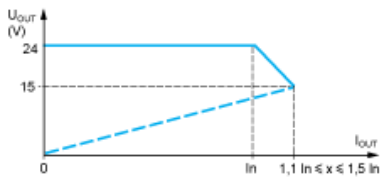
Mounting on Vertical Plane



Mounting on Horizontal Plane



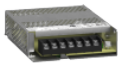
Load Limits Curve



Recommended replacement(s)

ABL1REM12050 is replaced by:

1x



Regulated Power Supply, 100...240V AC, 12V 8.5A, single phase, Panel Mount
ABLP1A12085
