

# Product data sheet

Specifications



regulated SMPS, single phase,  
100..240 V input, 24 V output, 100  
W

ABL1RPM24042

! Discontinued on: 17 February 2021

! End-of-service on: 17 February 2021

! Discontinued

**Product availability : Non-Stock - Not normally stocked in distribution facility**

**Price\* : 158.00 USD**

## Main

Range of product	Phaseo Dedicated
Product or Component Type	Power supply
Power supply type	Regulated switch mode
Kw Rating	100 W
Nominal Input Voltage	AC single phase DC
Output voltage	24 V DC
Power supply output current	4.2 A
Operating position	Any position
Vibration resistance	2 gn 9...150 Hz)EN/IEC 61131-2 3.5 mm 5...9 Hz)EN/IEC 61131-2
Name of test	Conducted interference EN 61000-4-8 level 4 Electrostatic discharges EN/IEC 61000-4-2 level 3 Induced electromagnetic field EN/IEC 61000-4-6 level 3 Radiated electromagnetic field EN/IEC 61000-4-3 level 3 Rapid transient IEC 61000-4-4 level 3 Conducted/radiated emissions EN 55022 Class B Conducted/radiated emissions EN/IEC 55011 Emission EN/IEC 61000-6-3 Primary outage IEC 61000-4-11 Surge EN/IEC 61000-4-5

## Complementary

Input voltage limits	85...264 V
Network Frequency	47...63 Hz
Inrush current	50 A 115 V AC 100 A 230 V AC
Cos phi	0.7...0.95
Efficiency	80 %
Power dissipation in W	25 W
Current consumption	0.7 A 240 V 1.7 A 100 V
Input protection type	Integrated fuse (not interchangeable)

\* Price is "List Price" and may be subject to a trade discount – check with your local distributor or retailer for actual price.

<b>Output voltage limits</b>	21.6...26.4 V
<b>Line and load regulation</b>	+/- 3 %
<b>Holding time</b>	>= 10 ms 100 V >= 40 ms 240 V
<b>Output protection type</b>	Against overload 1.1...1.5 x In Against overvoltage tripping if U > 1.25 x Un Against short-circuits automatic reset Thermal
<b>Connections - terminals</b>	Ground connection screw type terminals 1 x 4 mm <sup>2</sup> AWG 12 Input connection screw type terminals 2 x 4 mm <sup>2</sup> AWG 12 Output connection screw type terminals 4 x 4 mm <sup>2</sup> AWG 12
<b>Marking</b>	CE
<b>Mounting Support</b>	Reversible mounting bracket Panel
<b>Operating altitude</b>	6561.68 ft (2000 m)
<b>Output coupling</b>	Parallel Series
<b>Overvoltage category</b>	II
<b>Meantime between failure [MTBF]</b>	100000 h 104 °F (40 °C)
<b>Status LED</b>	Output voltage 1 LED Green)
<b>Net Weight</b>	1.41 lb(US) (0.64 kg)

## Environment

<b>Product Certifications</b>	TUV 60950-1 RCM UL 508 cCSAus CSA 22-2 No 60950-1 KC EAC
<b>Environmental characteristic</b>	EMC EN 50081-1 EMC EN 50082-2 EMC EN 61000-6-3 EMC EN/IEC 61000-6-2 Safety EN/IEC 60950-1 Safety SELV Low frequency harmonic currents EN/IEC 61000-3-2
<b>IP degree of protection</b>	IP20 conforming to EN/IEC 60950
<b>Ambient air temperature for operation</b>	32...113 °F (0...45 °C) without derating) 113...140 °F (45...60 °C) with derating factor)
<b>Ambient Air Temperature for Storage</b>	-13...185 °F (-25...85 °C)
<b>Relative humidity</b>	20...90 %
<b>Overvoltage category</b>	Class I VDE 0106-1
<b>Pollution degree</b>	2
<b>Dielectric strength</b>	1500 V between input and ground 3000 V between input and output 500 V between output and ground

## Ordering and shipping details

<b>Category</b>	22524 - ABL1 DEDICATED POWER SUPPLIES
<b>Discount Schedule</b>	CP12
<b>GTIN</b>	00785901676225
<b>Nbr. of units in pkg.</b>	1
<b>Package weight(Lbs)</b>	25.64 oz (727 g)
<b>Returnability</b>	No

Country of origin	CN
-------------------	----

## Packing Units

Unit Type of Package 1	PCE
Package 1 Height	2.09 in (5.3 cm)
Package 1 width	4.72 in (12 cm)
Package 1 Length	9.25 in (23.5 cm)
Unit Type of Package 2	S03
Number of Units in Package 2	15
Package 2 Weight	25.61 lb(US) (11.618 kg)
Package 2 Height	11.81 in (30 cm)
Package 2 width	11.81 in (30 cm)
Package 2 Length	15.75 in (40 cm)

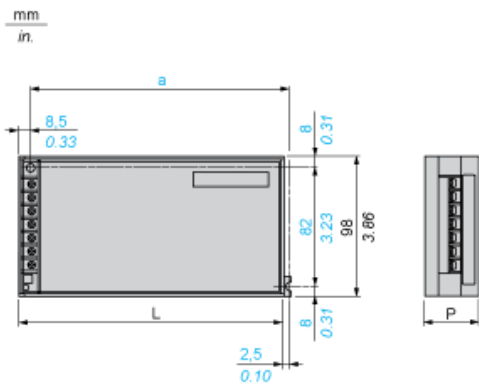
## Offer Sustainability

Sustainable offer status	Green Premium product
California proposition 65	WARNING: This product can expose you to chemicals including: Lead and lead compounds, which is known to the State of California to cause cancer and birth defects or other reproductive harm. For more information go to <a href="http://www.P65Warnings.ca.gov">www.P65Warnings.ca.gov</a>
REACH Regulation	<a href="#">REACH Declaration</a>
EU RoHS Directive	Pro-active compliance (Product out of EU RoHS legal scope) <a href="#">EU RoHS Declaration</a>
Mercury free	Yes
RoHS exemption information	<a href="#">Yes</a>
China RoHS Regulation	<a href="#">China RoHS declaration</a>
Environmental Disclosure	<a href="#">Product Environmental Profile</a>
Circularity Profile	<a href="#">End of Life Information</a>
PVC free	Yes

## Contractual warranty

Warranty	18 months
----------	-----------

**Dimensions**



Dimensions in mm

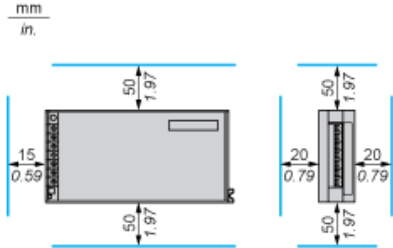
a	L	P
194	200	38

Dimensions in in.

a	L	P
7.64	7.87	1.50

**Clearance**

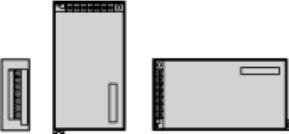
---



**Mounting Way**

---

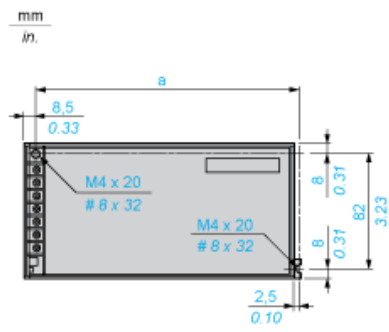
**Mounting on Vertical Plane**



**Mounting on Horizontal Plane**



**Direct Mounting by 2 M4 x 20 Screws**



Dimensions in mm

a
194

Dimensions in in

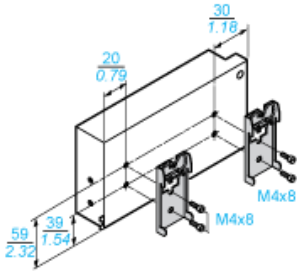
a
7.64



**Mounting on ABL 1A02 Clip-on Mounting on 35 mm Rail**

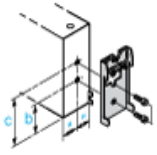
---

mm  
in.



**Mounting by the Back**

---



Dimensions in mm

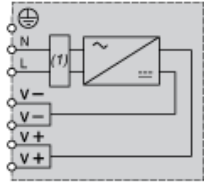
b	c
38	58

Dimensions in in.

b	c
1.50	2.28

**Internal Wiring Diagram**

---

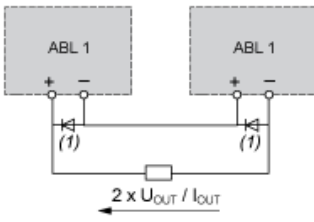


(1) Filter

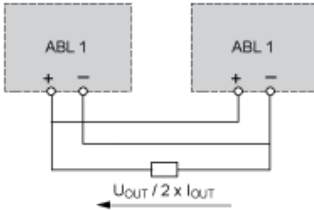
Series or Parallel Connection

---

Series Connection



Parallel Connection

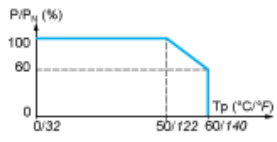


(1) 8 A/100 V Shottky diode

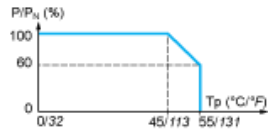
Derating Curves

---

Mounting on Vertical Plane

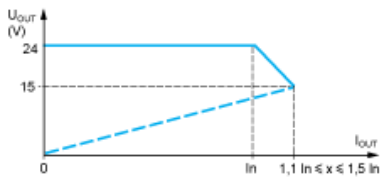


Mounting on Horizontal Plane



**Load Limits Curve**

---

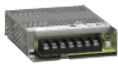


**Recommended replacement(s)**

ABL1RPM24042 is replaced by:

---

1x



Regulated Power Supply, 100...240V AC, 24V 4.5A, single phase, Panel Mount  
ABLP1A24045

---