

# General Specifications

## AEP7D Primary Power Supply Bus Unit



GS 33J60K40-01EN

[Release 6]

### ■ GENERAL

This hardware GS covers the AEP7D Primary Power Supply Bus Unit which distributes power to equipment mounted in the same cabinet.

### ■ STANDARD SPECIFICATIONS

For common installation environmental conditions and standards conformed with, see “System Overview” (GS 33J01A10-01EN).

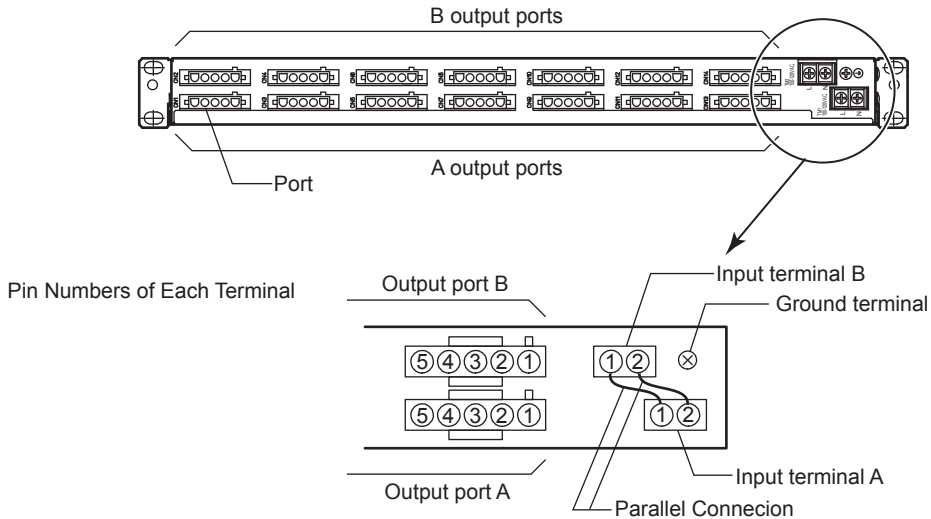
#### ● Electrical Specifications

Item Model	Description		
	AEP7D-1□	AEP7D-2□	AEP7D-4□
Input power supply voltage	100 to 120 V AC	220 to 240 V AC	24 V DC
Withstanding voltage	1500 V AC	1500 V AC	500 V AC
Max. Input current / Primary Power Supply Bus Unit	20 A	20 A	30 A
Max. Input current / port	6 A	6 A	10 A
Weight	Approx. 1.8 kg	Approx. 1.8 kg	Approx. 1.8 kg
Conforming standard	Safety Standard [CSA] AEP7D-1□, AEP7D-4□ [CE Marking] AEP7D-1□, AEP7D-2□, AEP7D-4□ EMC Standard [CE Marking] AEP7D-1□, AEP7D-2□, AEP7D-4□ [RCM] AEP7D-2□, AEP7D-4□ [KC Marking] AEP7D-1□, AEP7D-2□, AEP7D-4□ Standard for Hazardous Location Equipment [CSA NI] AEP7D-1□, AEP7D-4□ [FM NI] AEP7D-1□, AEP7D-2□, AEP7D-4□ [Type n] AEP7D-4□		

### NAME OF EACH PART

The AEP7D is designed to operate from two independent power sources “A” and “B” and provide seven sets of outputs corresponding to each input. (In the following diagram, the seven “A” output ports correspond to the “A” input terminal, and the seven “B” output ports correspond to the “B” input terminal, respectively.)

If input terminals A and B are connected in parallel, as shown in the figure below, a single input provides 14 outputs.



F01E.ai

### Correspondence Between Pin Numbers and Signals

Terminal	Pin No.	Model		
		AEP7D-1□	AEP7D-2□	AEP7D-4□
Input Terminals A and B	1	L	L	+ (24P)
	2	N	N	- (24N)
Ground Terminal	—	Protective ground	Protective ground	Functional ground
Output Ports A and B (14-ports) MATE-N-LOK Connector (5 pins)	1	Protective ground	Protective ground	Functional ground
	2	N	—	- (24N)
	3	—	N	+ (24P)
	4	L	L	—
	5	—	—	—

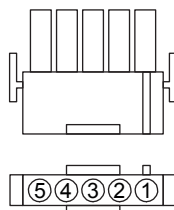
### Cables

The three types of cables shown below are provided for connecting the Primary Power Supply Bus Unit and equipment used.

#### Power Supply Cables for Primary Power Supply Bus Unit

Part number	Description	Correspondence between terminal pin numbers and cables		
		Black	White	Green
S9756UV	For AEP7D-1□, 100 V AC, 2 m, one end unterminated	4	2	1
S9757UV	For AEP7D-2□, 220 V AC, 2 m, one end unterminated	4	3	1
S9758UV	For AEP7D-4□, 24 V DC, 2 m, one end unterminated	3	2	1

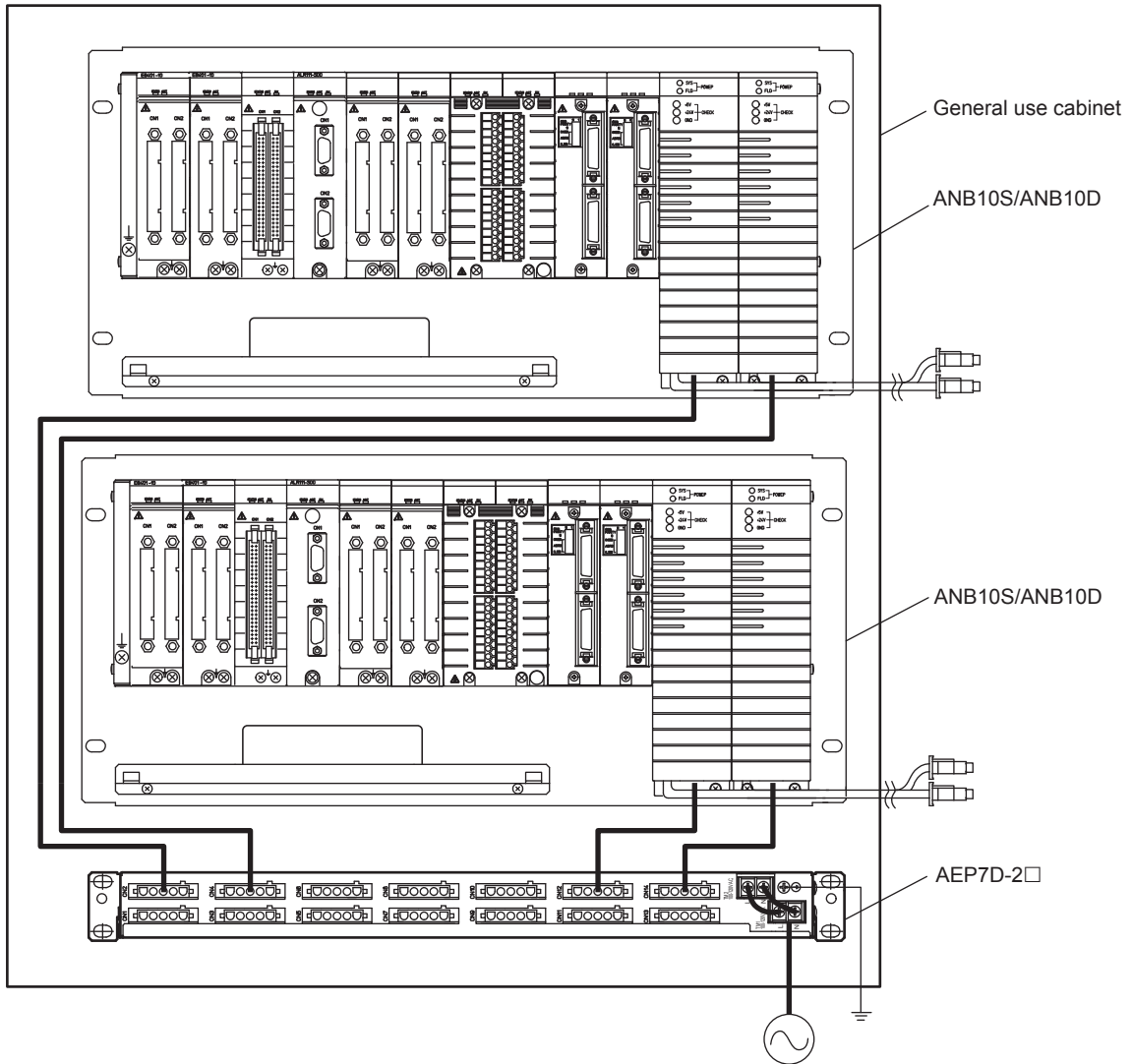
### Connector



F03E.ai

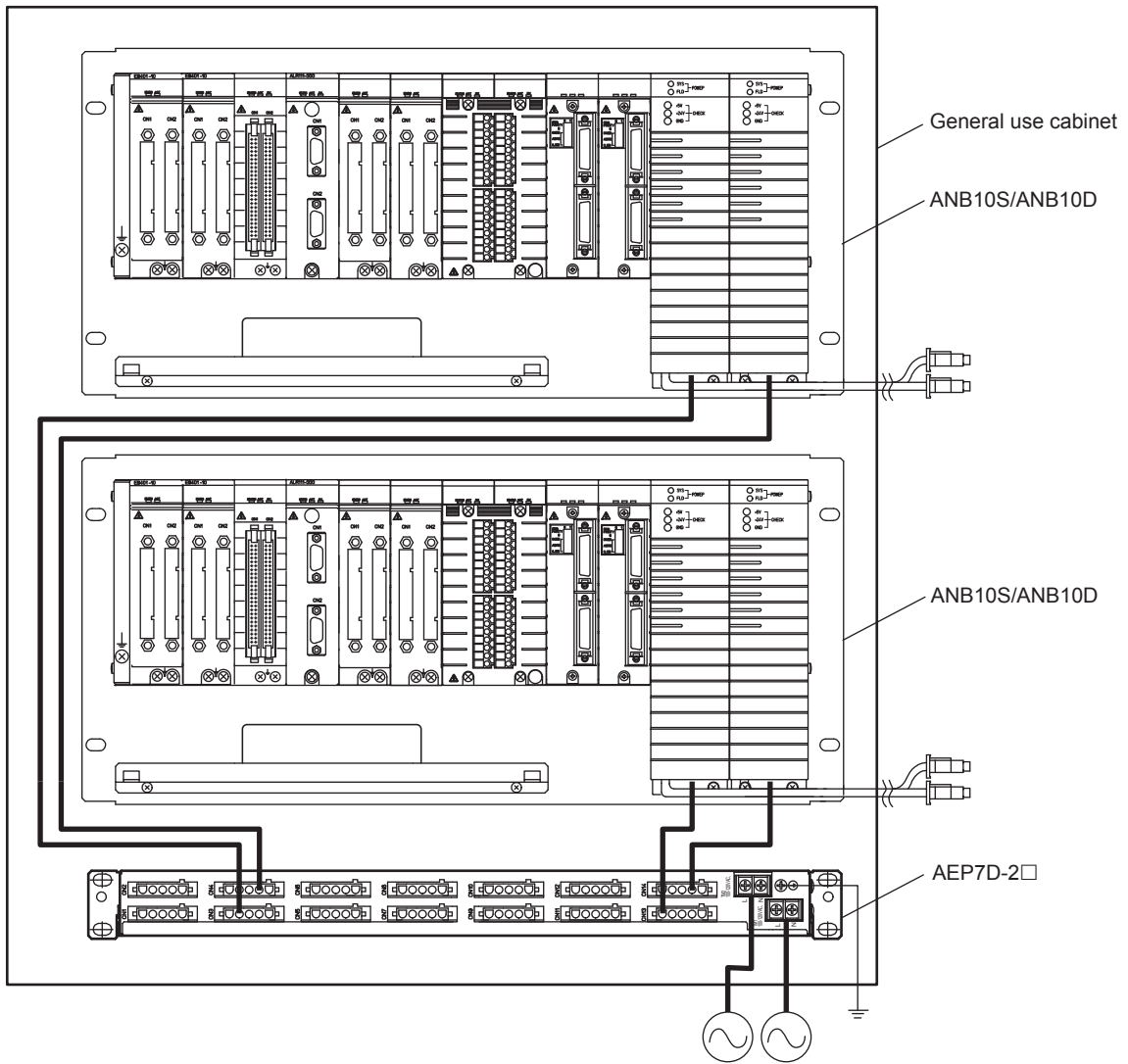
## ■ INSTALLATION EXAMPLE

### ● For a Single AC Power Supply Line



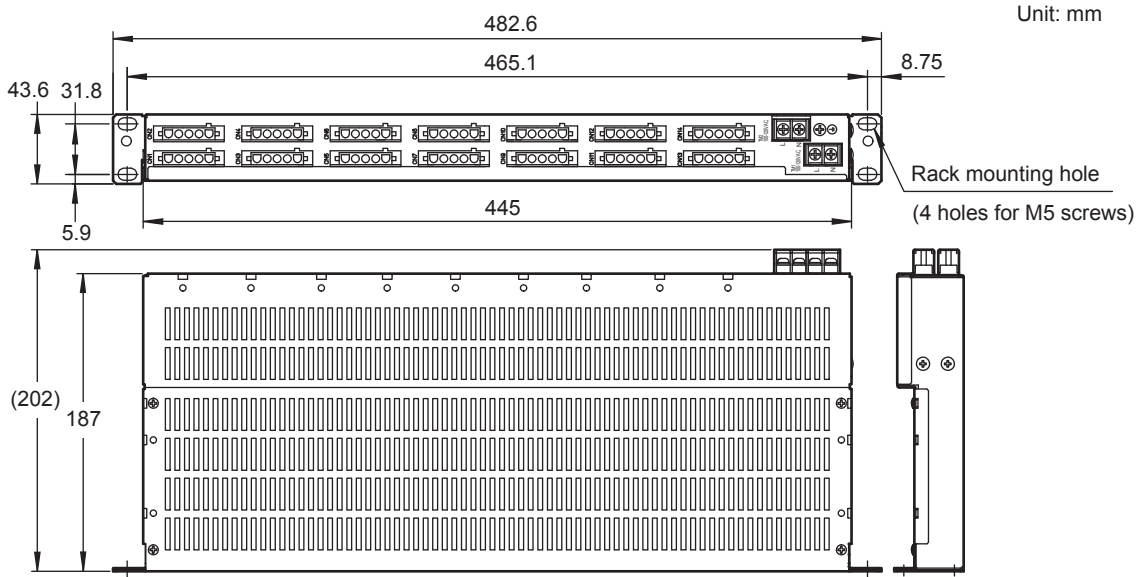
F04E.ai

● For Dual AC Power Supply Line



F05E.ai

## EXTERNAL DIMENSIONS



F06E.ai

### Nominal Tolerances :

When the reference dimension is over 0.5 mm and equal or less than 120 mm, its nominal tolerance is  $\pm 0.8$  mm, while its combination of nominal tolerance is  $\pm 1.5$  mm.

When the reference dimension is over 120 mm, its nominal tolerance is in accordance with JEM 1459.

## MODEL AND SUFFIX CODES

### Primary Power Supply Bus Unit

Model	Description
AEP7D	Primary Power Supply Bus Unit
Suffix Codes	-1 100 - 120 V AC input
	-2 220 - 240 V AC input
	-4 24 V DC input
	5 Basic type with no explosion protection
	6 With ISA Standard G3 option and no explosion protection
	E Basic type with explosion protection
	F With ISA Standard G3 option and explosion protection

## ORDERING INFORMATION

Specify model and suffix codes when ordering.

For selecting the right products for explosion protection, please refer to TI 33Q01J30-01E, TI 32S01J30-01E without fail.

## TRADEMARK

- CENTUM is a registered trademark of Yokogawa Electric Corporation.
- Other company and product names appearing in this document are trademarks or registered trademarks of their respective holders.