

AI-H100

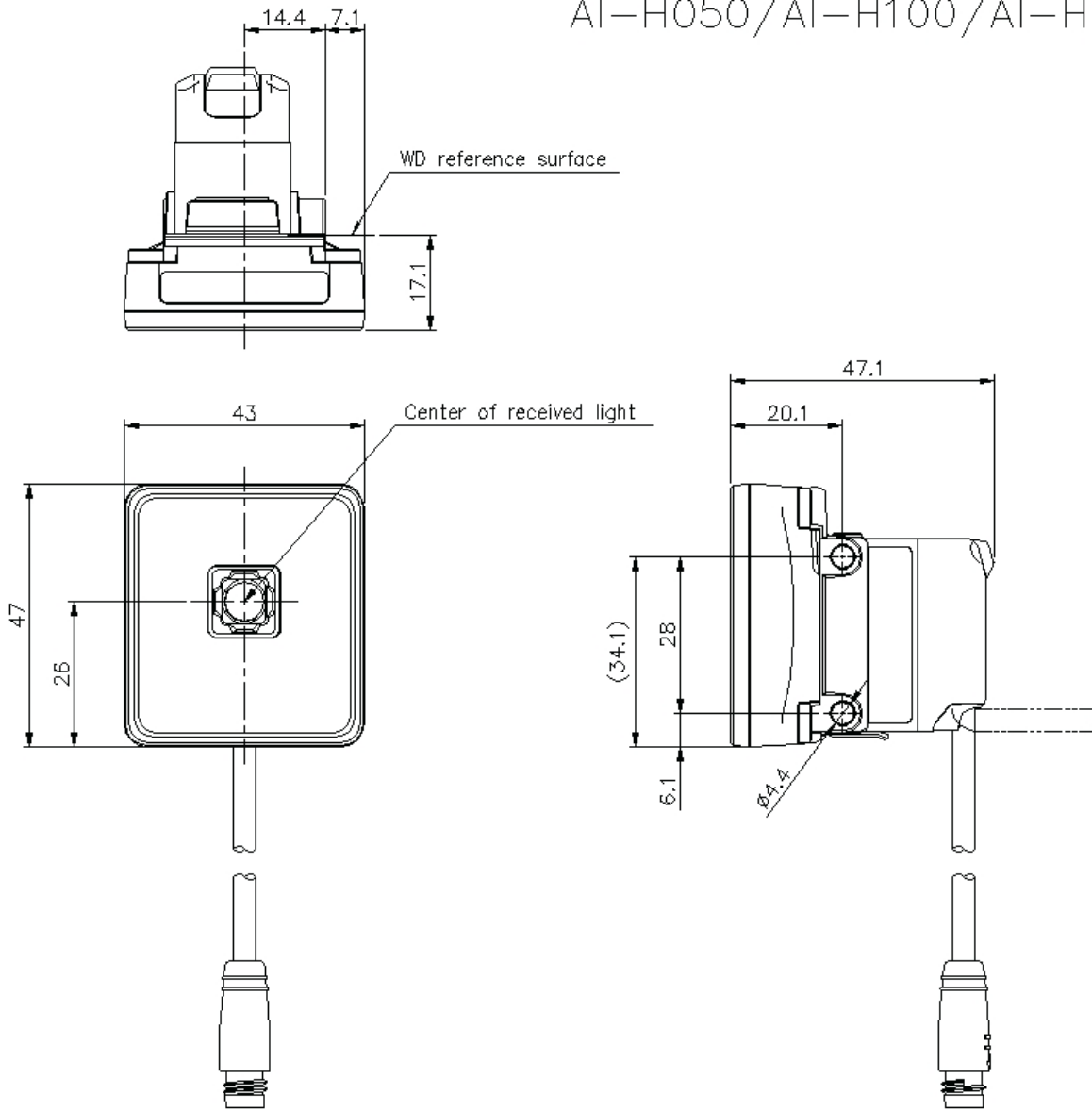
Separate Amplifier Model: Sensor Head, 100 mm



SPECIFICATIONS

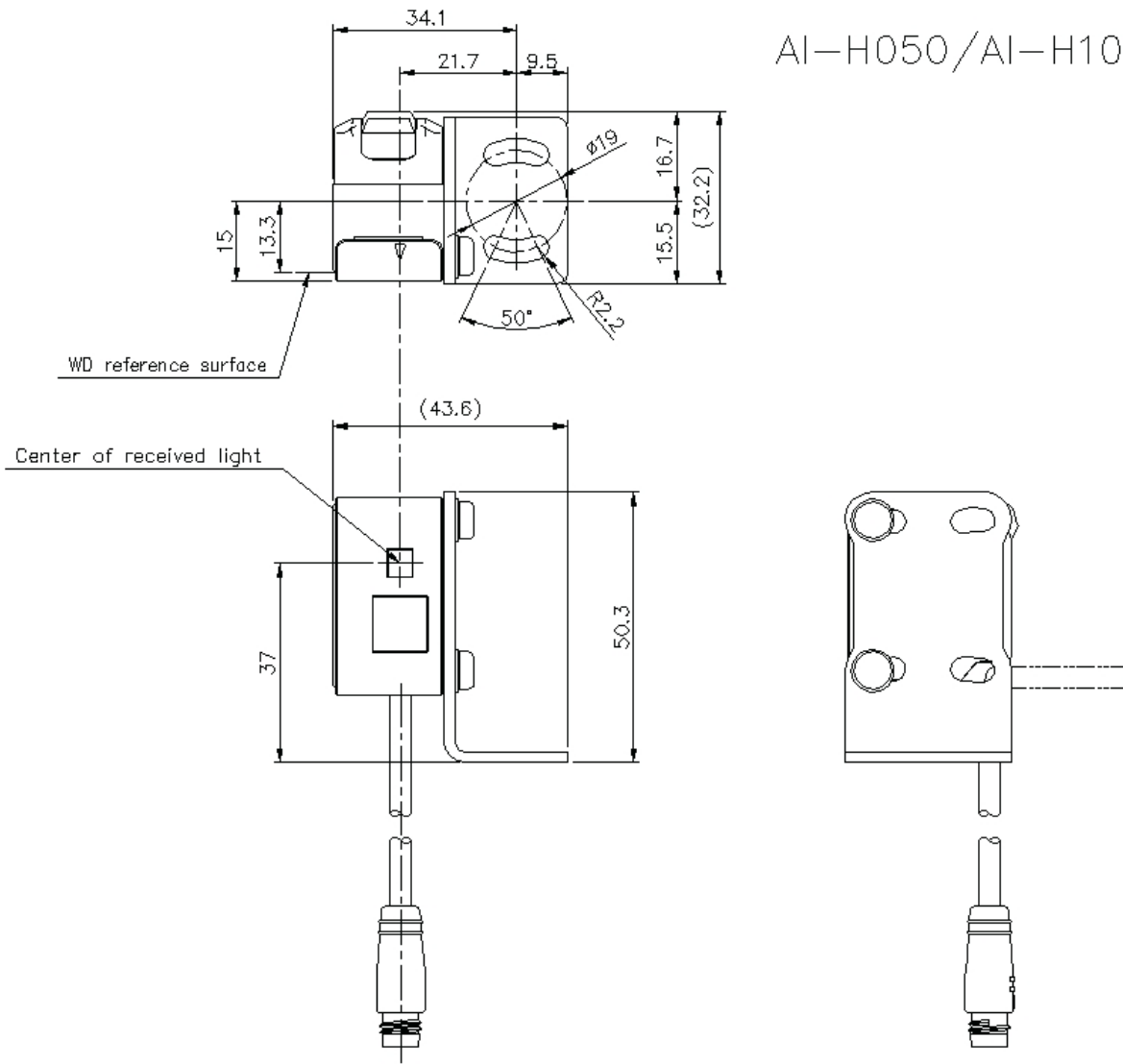
Model	AI-H100	
Installation Distance	90 to 110 mm 3.54 to 4.33"	
Detection Area	1X Zoom to 4X Zoom	8 × 8 mm 0.31 × 0.31" to 32 × 32 mm 1.26 × 1.26" ¹
	Digital Zoom	1X to 4X (17 steps) adjustment, zoom position adjustment ¹
Light Receiving Element	BW CMOS	
Transmitter	Light Source	Red LED (660 nm)
	Lighting Method	Pulse lighting
Indicators	1 (green/red/orange)	
Environmental resistance	Enclosure rating	IP67 ²
	Ambient temperature	-10 to +50 °C 14 to 122 °F (No freezing)
	Relative humidity	35 to 85 % RH (No condensation)
	Vibration resistance	10 to 55 Hz, Double amplitude 1.5 mm 0.06", 2 hours in each of the X, Y, and Z directions
	Shock resistance	500 m/s ² , 3 times in each of 6 directions
Materials	Main unit case: Zinc die-cast/PBT; Front cover: Acrylic (hard coat); Cable: PVC Operation indicator: PPSU; Polarized filter case: POM	
Weight	Approx. 70 g (including polarized filter)	
¹ When positioned in the midpoint of the installation distance range. ² Except when polarized filters or dome filters are mounted.		

AI-H050/AI-H100/AI-H160/AI-D16H



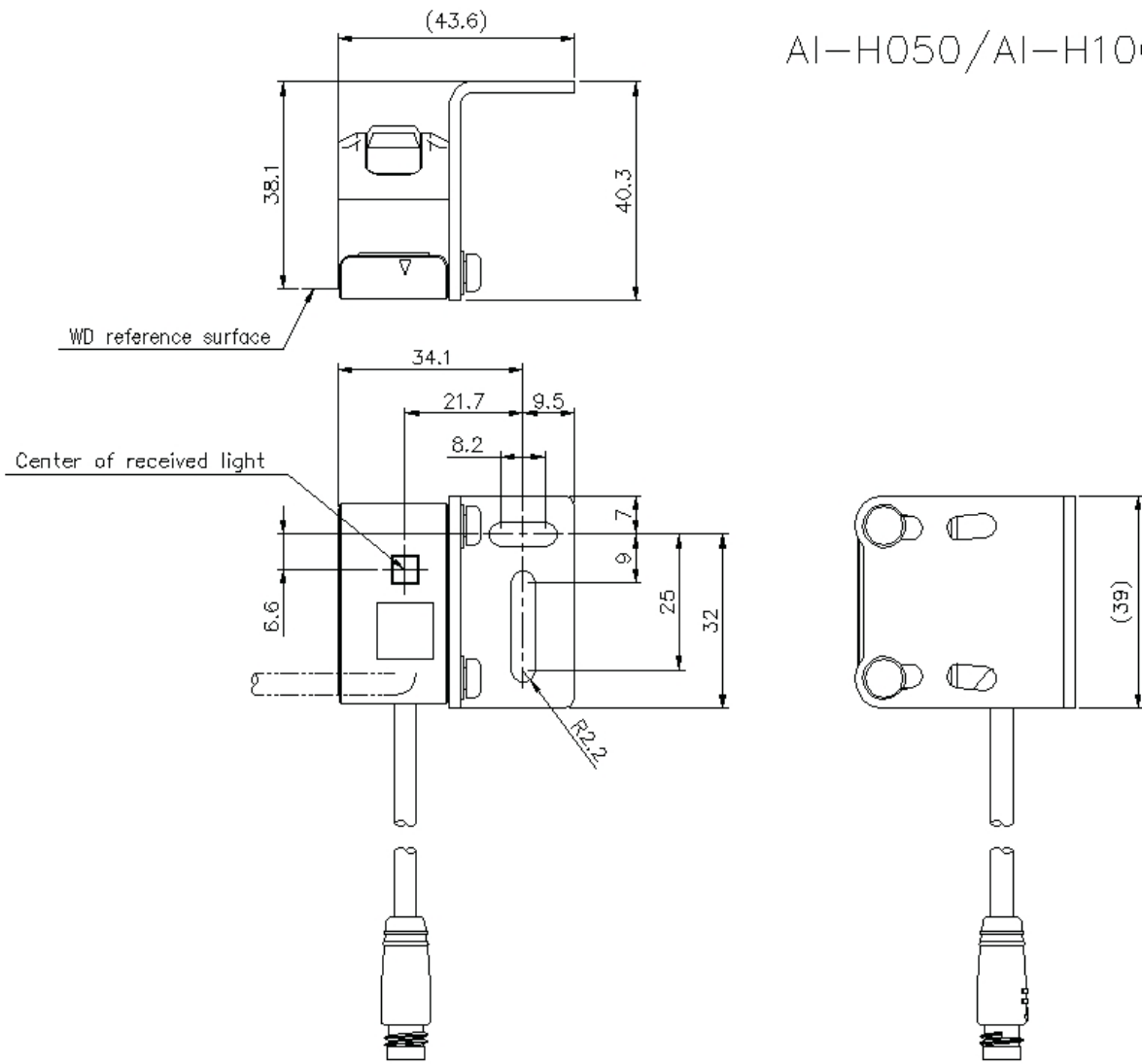
aih050_100_88104_dimension_01.gif

AI-H050/AI-H100/OP-88104



aih050_100_88105_dimension_01.gif

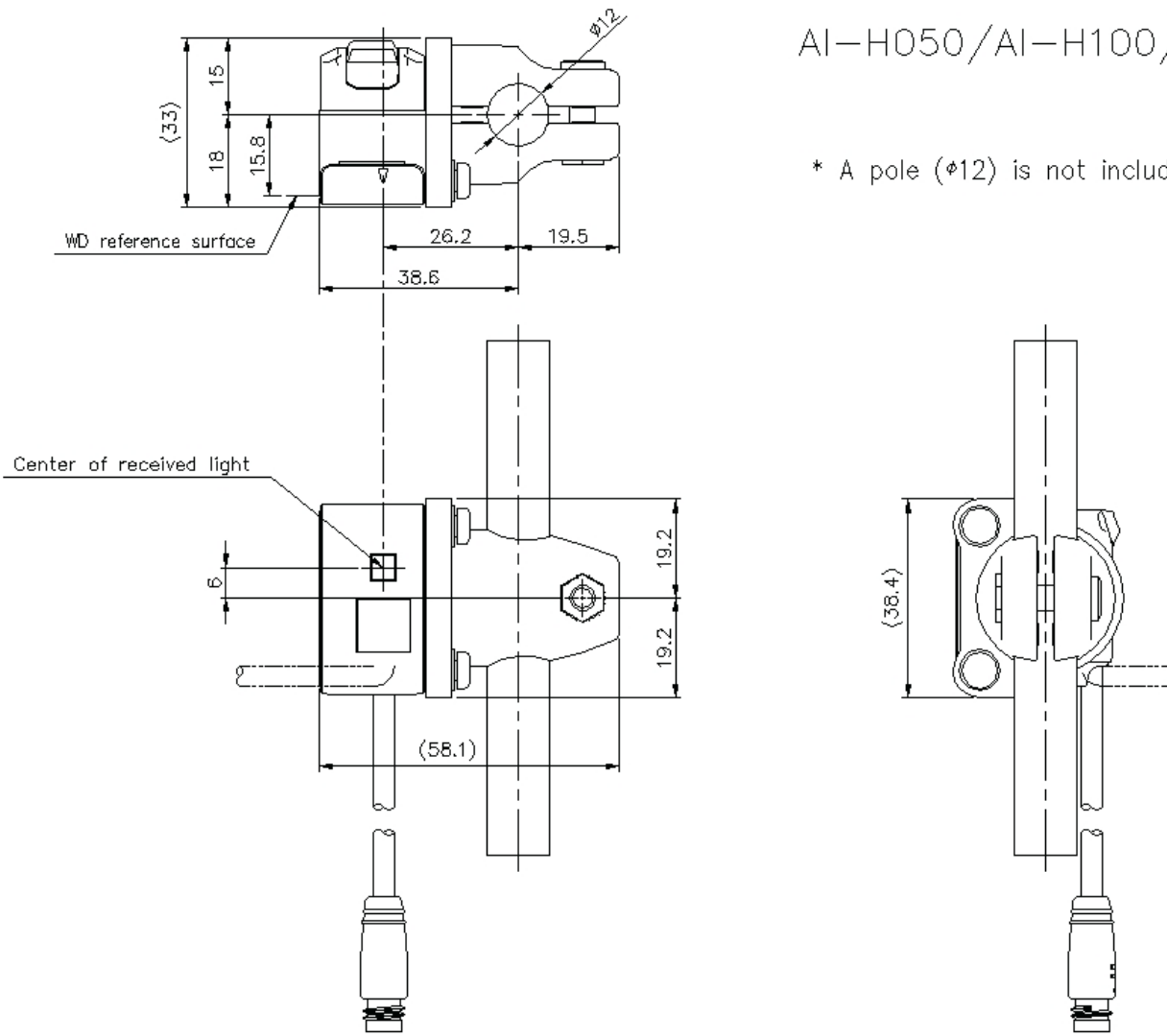
AI-H050/AI-H100/OP-88105



aih050_100_88106_dimension_01.gif

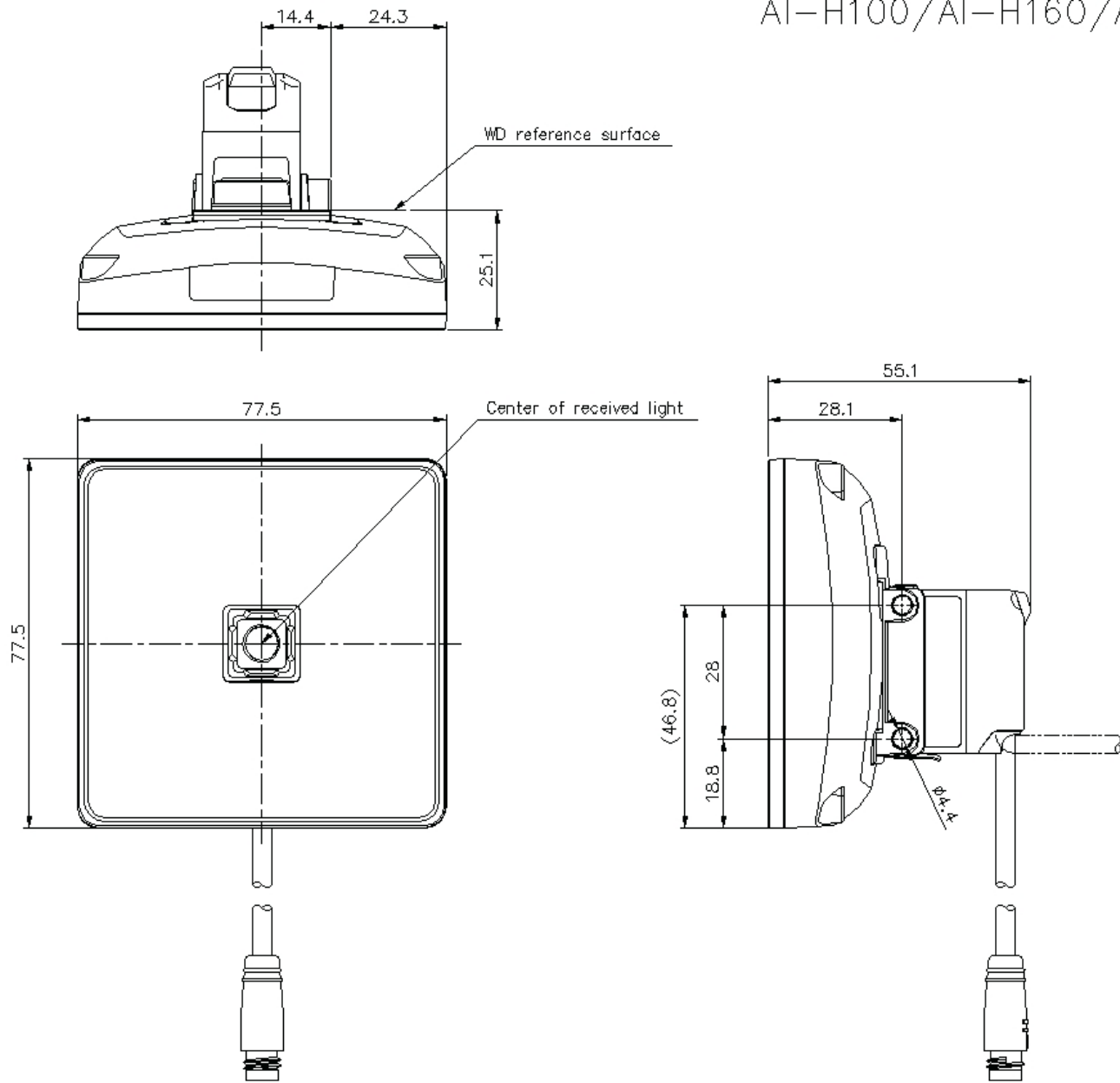
AI-H050/AI-H100/OP-88106

* A pole (φ12) is not included in OP-88106.



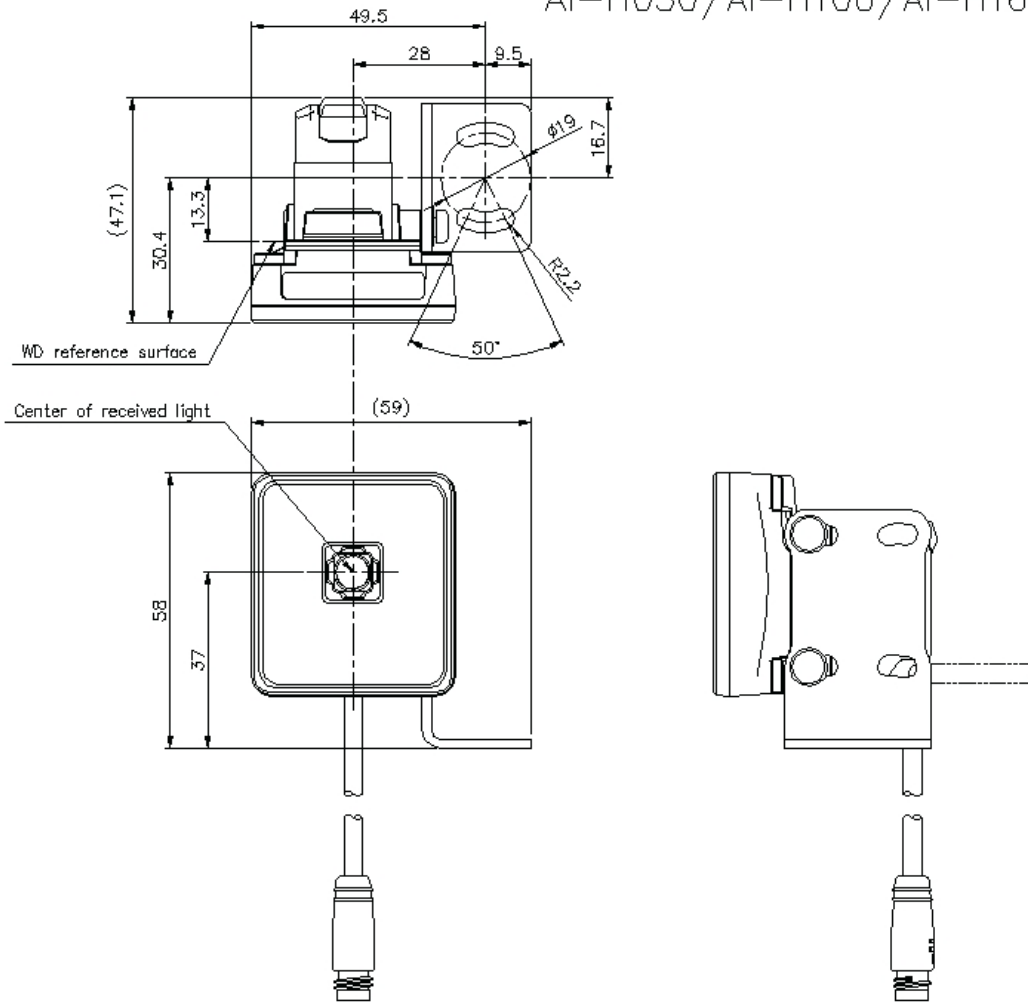
aih100_160_d32h_dimension_01.gif

AI-H100/AI-H160/AI-D32H



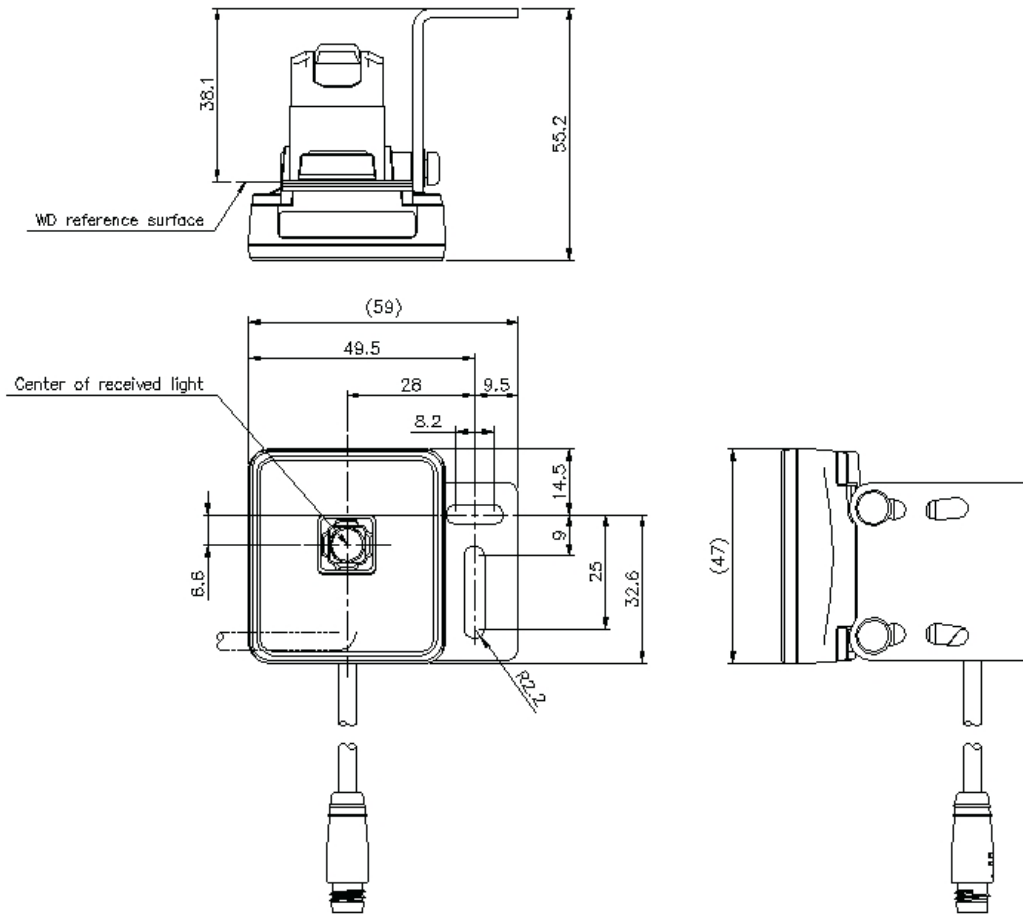
aih_d16h_88104_dimension_01.gif

AI-H050/AI-H100/AI-H160/AI-D16H/OP-88104



aih_d16h_88105_dimension_01.gif

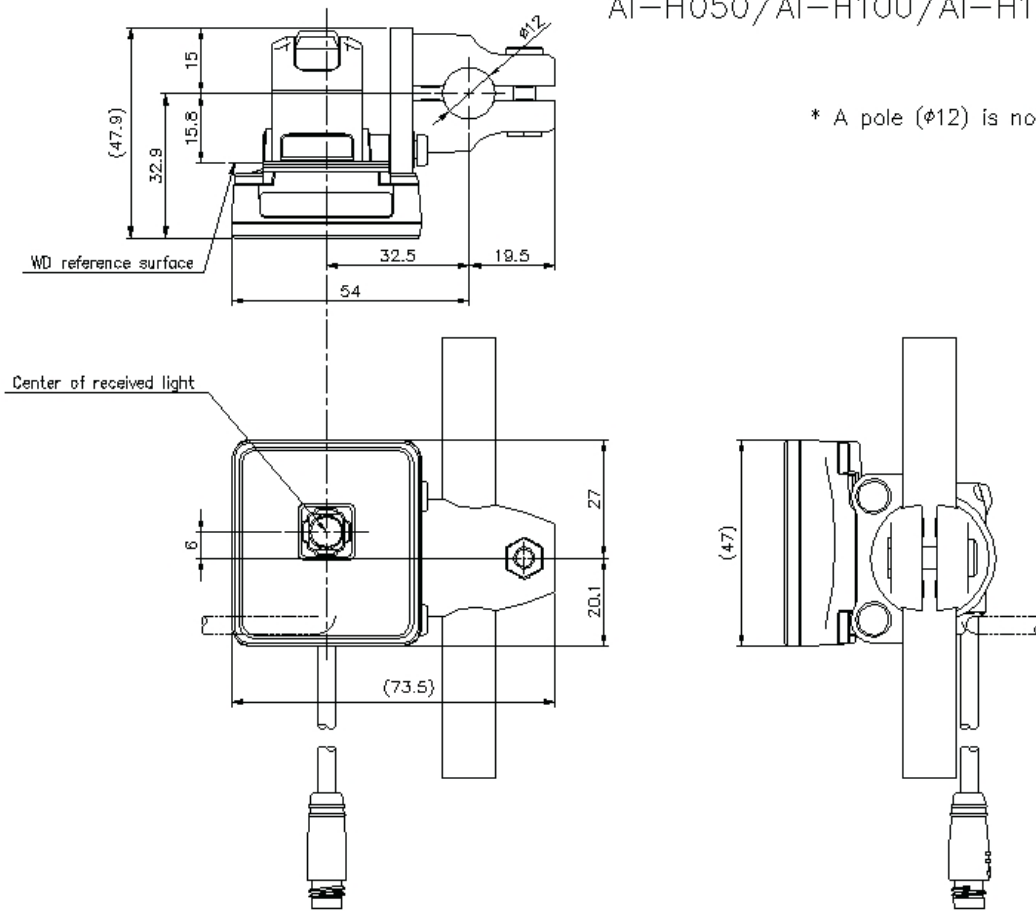
AI-H050/AI-H100/AI-H160/AI-D16H/OP-88105



aih_d16h_88106_dimension_01.gif

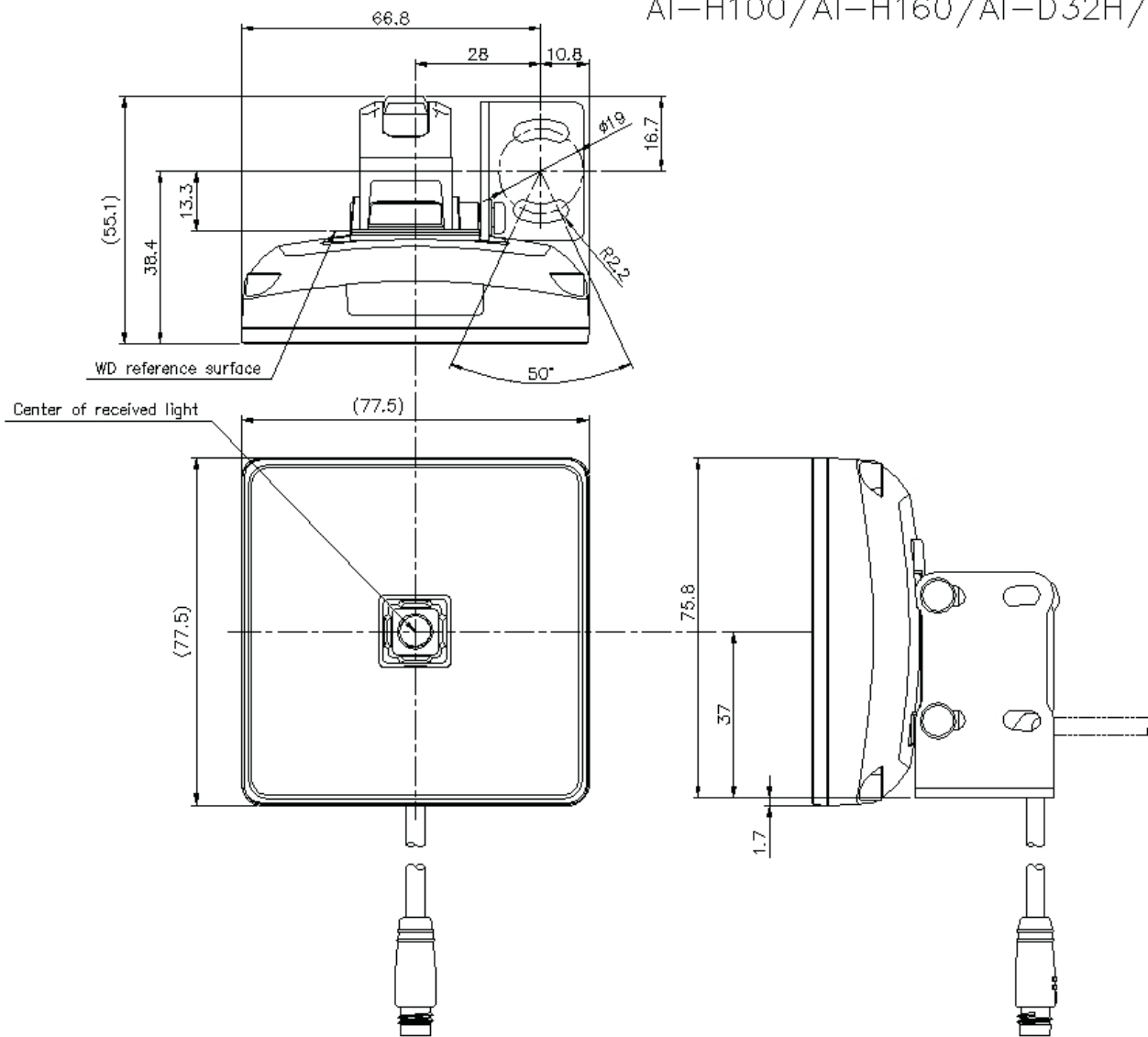
AI-H050/AI-H100/AI-H160/AI-D16H/OP-88106

* A pole ($\phi 12$) is not included in OP-88106.



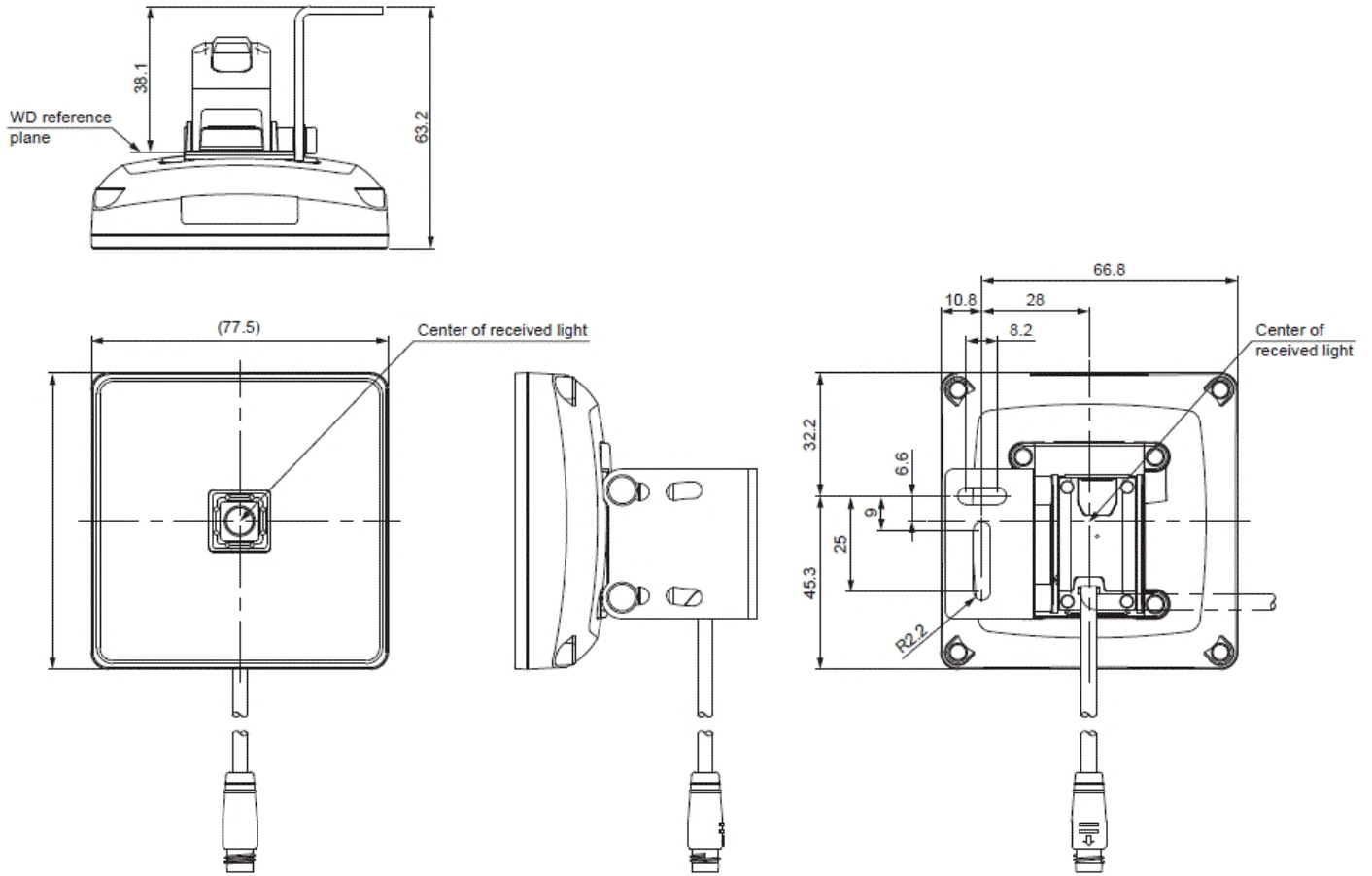
aih_d32h_88104_dimension_01.gif

AI-H100/AI-H160/AI-D32H/OP-88104



aih_d32h_88105_dimension_01.gif

■ AI-H100/H160 + AI-D32H + OP-88105



aih_d32h_88106_dimension_01.gif

AI-H100/AI-H160/AI-D32H/OP-88106

* A pole (φ12) is not included in OP-88106.

