

AP-V85W

Amplifier Unit, Panel Mount Type, Standard, NPN



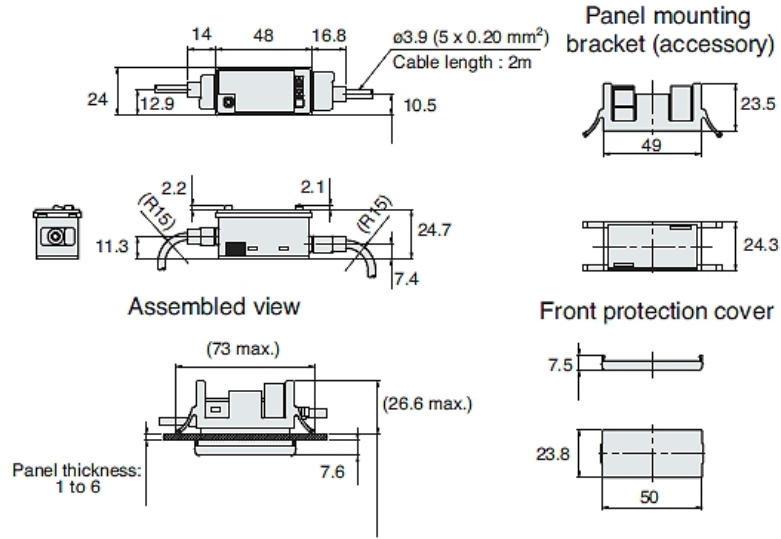
SPECIFICATIONS

Model		AP-V85W	
Type		Standard (Panel), NPN	
Display		2-level display with 4 1/2-digit, 7-segment LED (Character height: Upper level: 8 mm, red, Lower level: 5.7 mm, green) Alarm indicator: Red LED	
Operation indicator		Red LED x 3 (corresponding to control output 1 and 2)	
Display resolution		AP-10S/11S/12S: Standard mode 0.1 inchHg, High-resolution mode 0.01 inchHg AP-13S: Standard mode 0.001 MPa, High-resolution mode 0.1 kPa AP-14S: Standard mode 0.01 MPa, High-resolution mode 0.001 MPa AP-15S/16S: Standard mode 0.1 MPa, High-resolution mode 0.01 MPa	
Power consumption	Normal	12 V: 1,380 mW (115 mA) or less, 24 V: 1,920 mW (80 mA) or less ^{*1}	
Hysteresis		Variable (Standard: 0.5 % of FS; high-resolution: 0.1 % of F.S.)	
Response time (Chattering prevention function)		Selectable from 5, 10, 100, 500 and 1000 seconds	
I/O	Analogue output	4 to 20 mA, Maximum load resistance: 260 Ω	
	Zero-shift input	Input time of 20 ms or more. (or analog output selectable)	
	Bank input		
	Control output	NPN open collector x 2 channels (N.O./N.C. selectable), 40 VDC max., 100 mA max. with residual voltage of 1 V max.	
Rating	Power voltage	12 to 24 VDC, Ripple (P-P) 10 % or less	
	Power consumption	Eco mode	12 V: 1,020 mW (85 mA) or less, 24 V: 1,200 mW (50 mA) or less ^{*1}
Environmental resistance	Ambient temperature	-10 to +50 °C (No freezing)	
	Relative humidity	35 to 85 % RH (No condensation)	
	Vibration resistance	10 to 55 Hz, Double amplitude 1.5 mm, 2 hours in each of the X, Y, and Z axis	
Material		Housing and cover: Polycarbonate, Keytop: Elastomer	
Accessories		Panel mounting bracket, protective cover	
Weight		Approx. 85 g	
^{*1} Excluding the current for analog output Including the current for the sensor head			

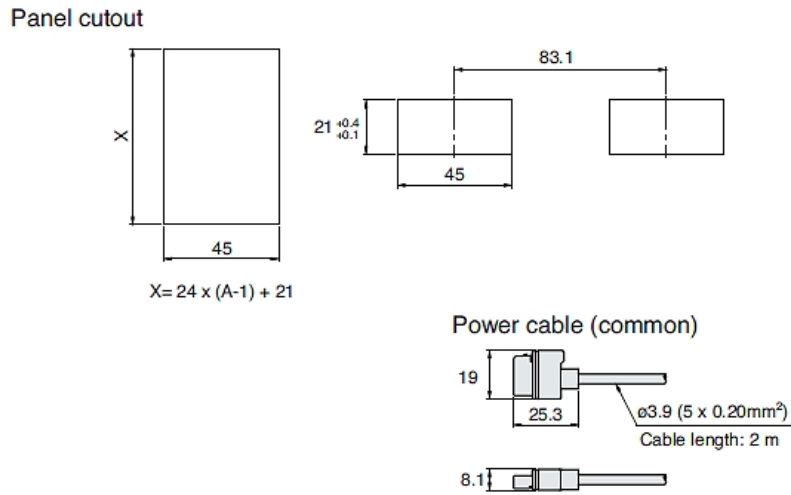
Dimensions

* Download CAD file or product manual for larger image/text and more detail.

AP-V85_85P_85W_85WP_dimension_01.gif



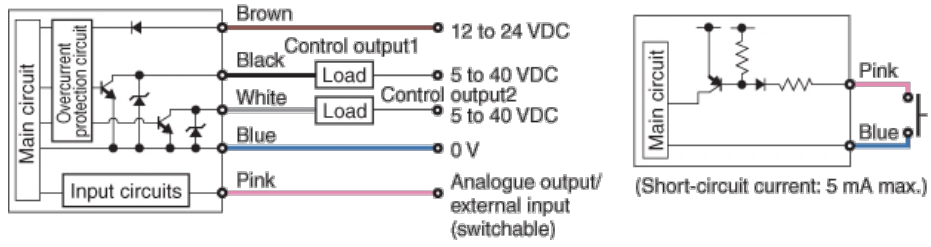
AP-V85_V87_panelcutout_dimension_01.gif



I/O Circuit Connection diagram

* Download CAD file or product manual for larger image/text and more detail.

External input circuit(Zero-shift input, bank switching NPN)



Analogue output circuit

