



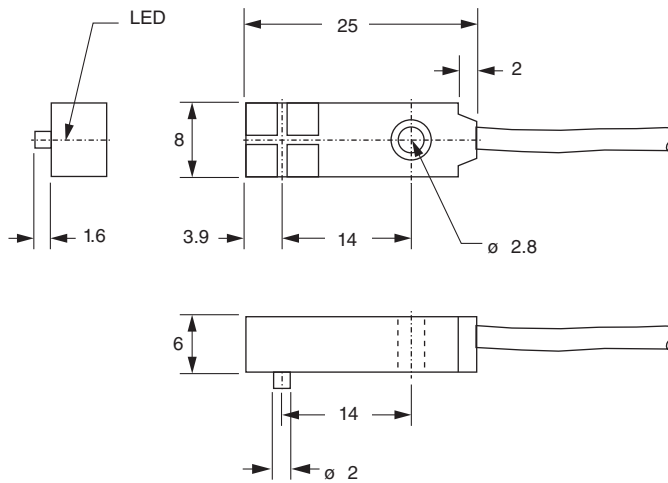
Inductive sensor

APM-D3D1

- 3-wire DC
- Surface mount
- Sensing range 2.5 mm



Dimensions



Technical Data

General specifications

Switching function		Normally open (NO)
Output type		PNP
Rated operating distance	s_n	2.5 mm
Installation		non-flush
Output polarity		DC

Nominal ratings

Operating voltage	U_B	12 ... 24 V
Switching frequency	f	120 Hz
Hysteresis	H	3 ... 15 % 5 typ.
Reverse polarity protection		reverse polarity protected
Short-circuit protection		pulsing
Voltage drop	U_d	≤ 1 V
Off-state current	I_r	≤ 10 μ A
No-load supply current	I_o	≤ 10 mA
Switching state indicator		LED, red

Output

Load current	30 mA
--------------	-------

Compliance with standards and directives

Standard conformity	
---------------------	--

Release date: 2020-03-24 Date of issue: 2020-03-30 Filename: 450758_eng.pdf

Refer to "General Notes Relating to Pepperl+Fuchs Product Information".

Pepperl+Fuchs Group
www.pepperl-fuchs.com

USA: +1 330 486 0001
fa-info@us.pepperl-fuchs.com

Germany: +49 621 776 1111
fa-info@de.pepperl-fuchs.com

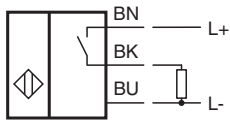
Singapore: +65 6779 9091
fa-info@sg.pepperl-fuchs.com

PEPPERL+FUCHS

Technical Data

Standards	EN 60947-5-2:2007 IEC 60947-5-2:2007
Ambient conditions	
Ambient temperature	-10 ... 55 °C (14 ... 131 °F)
Storage temperature	-25 ... 70 °C (-13 ... 158 °F)
Mechanical specifications	
Housing material	Polyalylate resin
Sensing face	Polyalylate resin
Degree of protection	IP67

Connection



Release date: 2020-03-24 Date of issue: 2020-03-30 Filename: 450758_eng.pdf

Refer to "General Notes Relating to Pepperl+Fuchs Product Information".

Pepperl+Fuchs Group
www.pepperl-fuchs.com

USA: +1 330 486 0001
fa-info@us.pepperl-fuchs.com

Germany: +49 621 776 1111
fa-info@de.pepperl-fuchs.com

Singapore: +65 6779 9091
fa-info@sg.pepperl-fuchs.com