

BMXAMM0600H

mixed analog I/O module M340 - 4 inputs 0..20 mA - 2 outputs 0..20 mA

Product availability : Stock - Normally stocked in distribution facility



Price* : 987.00 USD



Main

| | |
|------------------------------|--|
| Range of product | Modicon X80 |
| Product or component type | Mixed analog I/O module |
| Product specific application | For severe environments |
| Electrical connection | 1 connector 20 ways |
| Input output isolation | Non isolated |
| Input level | High level |
| Analogue input number | 4 |
| Analogue input type | Current 0...20 mA Current 4...20 mA Voltage +/- 10 V Voltage 0...10 V Voltage 0...5 V Voltage 1...5 V |

Complementary

| | |
|---|--|
| Analogue input resolution | 12 bits 0...20 mA 12 bits 0...5 V 12 bits 1...5 V 12 bits 4...20 mA 13 bits 0...10 V 14 bits +/- 10 V |
| Permitted overload on inputs | +/- 30 mA 0...20 mA +/- 30 mA 4...20 mA +/- 30 V +/- 10 V +/- 30 V 0...10 V +/- 30 V 0...5 V +/- 30 V 1...5 V |
| Internal conversion resistor | 250 Ohm |
| Precision of internal conversion resistor | 0.1 % - 15 ppm/°C |
| Type of filter | First order digital filtering by firmware |

| | |
|----------------------------|---|
| Fast read cycle time | 1 ms + 1 ms x number of channels used |
| Nominal read cycle time | 5 ms for 4 channels |
| Measurement error | 0.25 % of full scale 0...20 mA 25 °C 0.25 % of full scale 4...20 mA 25 °C <= 0.4 % of full scale +/- 10 V - 25...70 °C <= 0.4 % of full scale 0...10 V - 25...70 °C <= 0.4 % of full scale 0...5 V - 25...70 °C <= 0.4 % of full scale 1...5 V - 25...70 °C <= 0.6 % of full scale 0...20 mA - 25...70 °C <= 0.6 % of full scale 4...20 mA - 25...70 °C <= 0.8 % of full scale +/- 10 V - 25...70 °C <= 0.8 % of full scale 0...20 mA - 25...70 °C <= 0.8 % of full scale 4...20 mA - 25...70 °C 0.25 % of full scale 0...10 V 25 °C 0.25 % of full scale 0...5 V 25 °C 0.25 % of full scale 1...5 V 25 °C 0.35 % of full scale 0...20 mA 25 °C 0.35 % of full scale 4...20 mA 25 °C 0.25 % of full scale +/- 10 V +/- 10 V 25 °C |
| Temperature drift | 100 ppm/°C +/- 10 V 100 ppm/°C 0...20 mA 100 ppm/°C 4...20 mA 30 ppm/°C +/- 10 V 30 ppm/°C 0...10 V 30 ppm/°C 0...5 V 30 ppm/°C 1...5 V 50 ppm/°C 0...20 mA 50 ppm/°C 4...20 mA |
| Recalibration | Factory calibrated on outputs Internal on inputs |
| Isolation voltage | 1400 V DC between channels and ground 1400 V DC between channels and bus 750 V DC between group of I/O channels |
| Output level | High level |
| Analogue output number | 2 |
| Analogue output type | Current 0...20 mA Current 4...20 mA Voltage +/- 10 V |
| Analogue output resolution | 11 bits 0...20 mA 11 bits 4...20 mA 12 bits +/- 10 V |
| Conversion time | <= 2 ms |
| Maximum conversion value | +/- 11.25 V 0...10 V +/- 11.25 V 0...5 V +/- 11.25 V 1...5 V 0...24 mA 0...20 mA 0...24 mA 4...20 mA 0...30 mA 0...20 mA 0...30 mA 4...20 mA +/- 11.25 V +/- 10 V +/- 10 V |
| Fallback mode | Configurable Predefined |
| Status LED | 1 LED green RUN 1 LED per channel green channel diagnostic 1 LED red ERR 1 LED red I/O |
| Product weight | 0.34 lb(US) (0.155 kg) |
| Current consumption | 150 mA at 3.3 V DC 130 mA at 24 V DC |

Environment

| | |
|---------------------------------------|----------------------------|
| Vibration resistance | 3 gn |
| Shock resistance | 30 gn |
| Ambient air temperature for storage | -40...185 °F (-40...85 °C) |
| Ambient air temperature for operation | -13...158 °F (-25...70 °C) |

| | |
|------------------------------|--|
| Relative humidity | 5...95 % without condensation |
| IP degree of protection | IP20 |
| Product certifications | CSA ATEX EAC UL IEC-Ex RCM Merchant Navy CE |
| Standards | CSA C22.2 No 61010-2-201 UL 61010-2-201 EN/IEC 61010-2-201 EN/IEC 61131-2 |
| Protective treatment | TC Conformal coating Humiseal 1A33 |
| Environmental characteristic | Corrosion resistance Dust resistant |
| Operating altitude | 0...6561.68 ft (0...2000 m) 2000...5000 m (with derating factor) |

Ordering and shipping details

| | |
|-----------------------|----------------------|
| Category | 18160 - MODICON M340 |
| Discount Schedule | PC34 |
| GTIN | 00785901317548 |
| Nbr. of units in pkg. | 1 |
| Package weight(Lbs) | 0.41999999999999998 |
| Returnability | Y |
| Country of origin | FR |

Offer Sustainability

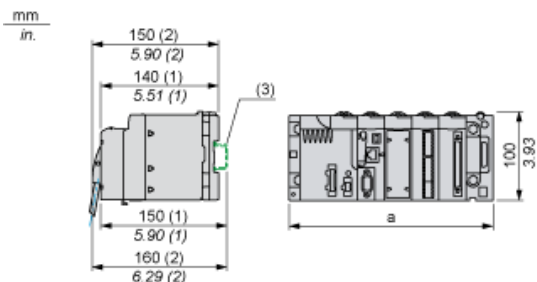
| | |
|----------------------------------|---|
| Sustainable offer status | Green Premium product |
| RoHS (date code: YYWW) | Compliant - since 0911 - Schneider Electric declaration of conformity Schneider Electric declaration of conformity |
| REACH | Reference not containing SVHC above the threshold Reference not containing SVHC above the threshold |
| Product environmental profile | Available |
| Product end of life instructions | Available |

Contractual warranty

| | |
|-----------------|-----------|
| Warranty period | 18 months |
|-----------------|-----------|

Modules Mounted on Racks

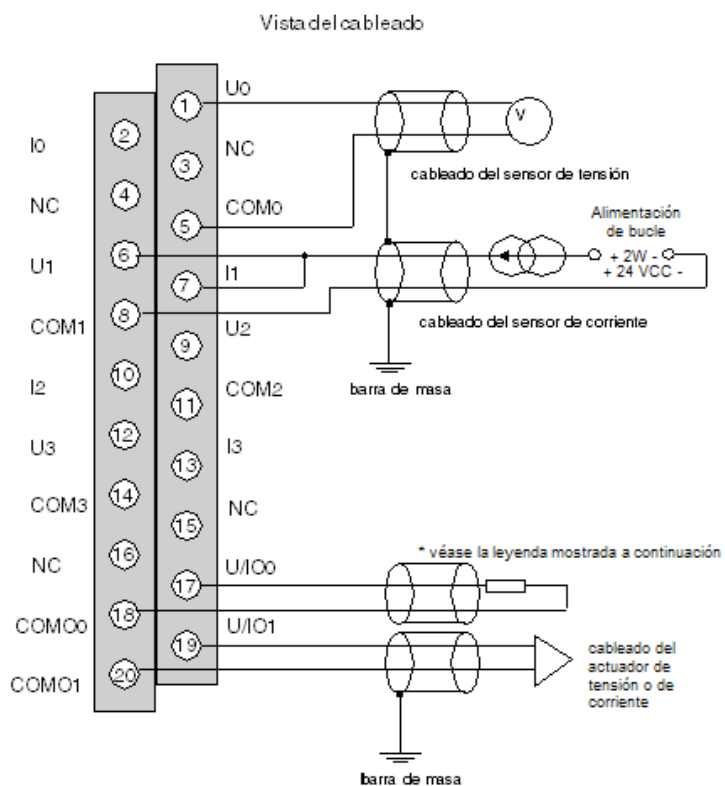
Dimensions



- (1) With removable terminal block (cage, screw or spring).
- (2) With FCN connector.
- (3) On AM1 ED rail: 35 mm wide, 15 mm deep. Only possible with BMXXBP0400/0400H/0600/0600H/0800/0800H rack.

| Rack references | a in mm | a in in. |
|----------------------------|---------|----------|
| BMXXBP0400 and BMXXBP0400H | 242.4 | 09.54 |
| BMXXBP0600 and BMXXBP0600H | 307.6 | 12.11 |
| BMXXBP0800 and BMXXBP0800H | 372.8 | 14.68 |
| BMXXBP1200 and BMXXBP1200H | 503.2 | 19.81 |

Wiring Diagram



Ux + pole input for channel x

COMx - pole input for channel x

U/IOx + pole output for channel x

COMOx - pole output for channel x

* The current loop is self-powered by the output and does not request any external supply.