

Product availability : Stock - Normally stocked in distribution facility



Price* : 1370.00 USD



Main

Range of product	Modicon X80
Product or component type	Ethernet RIO drop adaptor

Complementary

Bus type	Bus X across the remote backplane
Number of port	2
Integrated connection type	Ethernet/IP (device network)
Communication port protocol	Ethernet/IP
Communication service	Diagnostics for remote I/O devices Output modules are updated with the data received from remote I/O head adaptor The input data are collected and published to the remote I/O head adaptor RSTP support Configure IP parameters
Function available	CCOTF (configuration change on the fly)
Topology	Daisy chain loop
Local signalling	1 LED - green module active (RUN) 1 LED - red module error (ERR) 1 LED - green/red module status (Mod Status) 1 LED - green/red network communication status (Net Status) 1 LED - green Ethernet link diagnostics (STS)
Product compatibility	0...128 discrete I/O module 0...16 analog I/O module
Marking	CE
Module format	Standard

Environment

Environmental characteristic	Standard environment
Product certifications	C-Tick Merchant Navy GOST

Standards	CSA C22.2 No 213 UL 1604 EN 61131-2 CSA C22.2 No 142 UL 508
IP degree of protection	IP20
Ambient air temperature for operation	-13...158 °F (-25...70 °C)
Ambient air temperature for storage	-40...185 °F (-40...85 °C)
Operating altitude	<= 6561.68 ft (2000 m)
Altitude transport	<= 9842.52 ft (3000 m)
Relative humidity	95 % without condensation

Ordering and shipping details

Category	18160 - MODICON M340
Discount Schedule	PC34
GTIN	00785901134121
Nbr. of units in pkg.	1
Package weight(Lbs)	0.5200000000000002
Returnability	N
Country of origin	FR

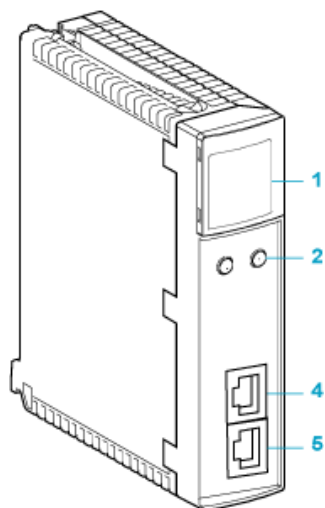
Offer Sustainability

Sustainable offer status	Green Premium product
RoHS (date code: YYWW)	Compliant - since 1209 - Schneider Electric declaration of conformity Schneider Electric declaration of conformity
REACH	Reference not containing SVHC above the threshold Reference not containing SVHC above the threshold
Product environmental profile	Available
Product end of life instructions	Available

Contractual warranty

Warranty period	18 months
-----------------	-----------

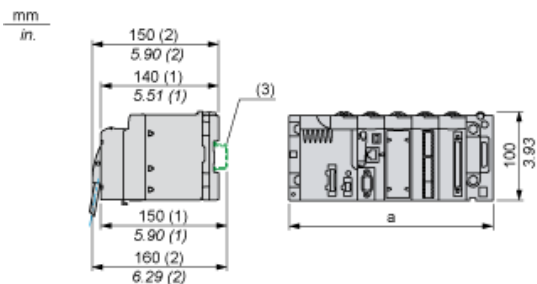
Presentation



- 1 : LED display
- 2 : rotary switches
- 4 : DEVICE NETWORK port (ETH 2)
- 5 : DEVICE NETWORK port (ETH 3)

Modules Mounted on Racks

Dimensions



- (1) With removable terminal block (cage, screw or spring).
- (2) With FCN connector.
- (3) On AM1 ED rail: 35 mm wide, 15 mm deep. Only possible with BMXXBP0400/0400H/0600/0600H/0800/0800H rack.

Rack references	a in mm	a in in.
BMXXBP0400 and BMXXBP0400H	242.4	09.54
BMXXBP0600 and BMXXBP0600H	307.6	12.11
BMXXBP0800 and BMXXBP0800H	372.8	14.68
BMXXBP1200 and BMXXBP1200H	503.2	19.81