



## Main

Range of product	Modicon X80
Product or component type	Ethernet RIO drop adaptor

## Complementary

Bus type	Bus X across the remote backplane
Number of port	3
Integrated connection type	Ethernet/IP (device network) Ethernet/IP (service port)
Communication port protocol	Ethernet/IP
Communication service	RSTP support Configure IP parameters Diagnostics for remote I/O devices The input data are collected and published to the remote I/O head adaptor Output modules are updated with the data received from remote I/O head adaptor
Function available	CCOTF (configuration change on the fly)
Data recording	10 ms time stamps
Topology	Daisy chain loop
Local signalling	1 LED - green for module active (RUN) 1 LED - red for module error (ERR) 1 LED - green/red for module status (Mod Status) 1 LED - green/red for network communication status (Net Status) 1 LED - green for Ethernet link diagnostics (STS)
Product compatibility	0...1024 discrete I/O module 0...256 analog I/O module BMXERT multifunction input module BMXNOM Ethernet module BMXEHC counter module
Marking	CE
Module format	Standard

## Environment

environmental characteristic	Standard environment
product certifications	C-Tick GOST Merchant Navy
standards	CSA C22.2 No 142 EN 61131-2 UL 1604 UL 508 CSA C22.2 No 213
IP degree of protection	IP20
ambient air temperature for operation	-25...70 °C
ambient air temperature for storage	-40...85 °C
operating altitude	<= 2000 m

The information provided in this documentation contains general descriptions and/or technical characteristics of the performance of the products contained herein. This documentation is not intended as a substitute for and is not to be used for determining suitability or reliability of these products for specific user applications. It is the duty of any such user or integrator to perform the appropriate and complete risk analysis, evaluation and testing of the products with respect to the relevant specific application or use thereof. Neither Schneider Electric Industries SAS nor any of its affiliates or subsidiaries shall be responsible or liable for misuse of the information contained herein.

altitude transport	<= 3000 m
relative humidity	95 % without condensation

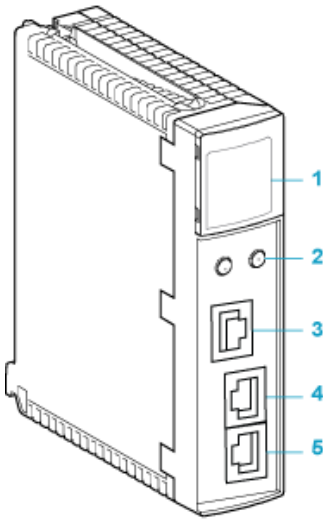
## Offer Sustainability

Sustainable offer status	Green Premium product
RoHS (date code: YYWW)	Compliant - since 1209 - Schneider Electric declaration of conformity
REACH	Reference not containing SVHC above the threshold
Product environmental profile	Available
Product end of life instructions	Available

## Contractual warranty

Warranty period	18 months
-----------------	-----------

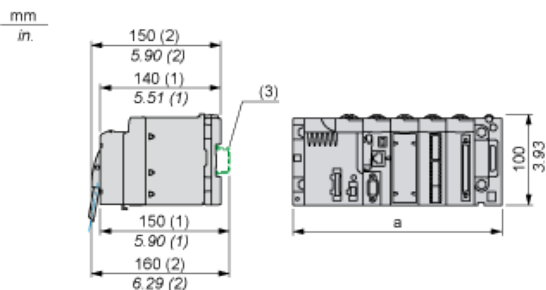
## Presentation



- 1 : LED display
- 2 : rotary switches
- 3 : SERVICE port (ETH 1)
- 4 : DEVICE NETWORK port (ETH 2)
- 5 : DEVICE NETWORK port (ETH 3)

## Modules Mounted on Racks

### Dimensions



- (1) With removable terminal block (cage, screw or spring).
- (2) With FCN connector.
- (3) On AM1 ED rail: 35 mm wide, 15 mm deep. Only possible with BMXXBP0400/0400H/0600/0600H/0800/0800H rack.

Rack references	a in mm	a in in.
BMXXBP0400 and BMXXBP0400H	242.4	09.54
BMXXBP0600 and BMXXBP0600H	307.6	12.11
BMXXBP0800 and BMXXBP0800H	372.8	14.68

BMXXBP1200 and BMXXBP1200H	503.2	19.81
----------------------------	-------	-------