

BMXDDI1603H

discrete input module M340 - 16 inputs - 48V DC
current sink (logic positive)

Product availability : Stock - Normally stocked in distribution facility



Price* : 380.00 USD



Main

| | |
|------------------------------|--|
| Range of product | Modicon X80 |
| Product or component type | Discrete input module |
| Product specific application | For severe environments |
| Electrical connection | 20-way connector |
| Discrete input number | 16 |
| Discrete input type | Isolated |
| Input type | Current sink (logic positive) |
| Discrete input voltage | 48 V DC positive |
| Discrete input current | 2.5 mA |
| Input compatibility | With 2-wire/3-wire proximity sensors conforming to IEC 60947-5-2 |

Complementary

| | |
|-----------------------------|---|
| Sensor power supply | 52.8 V at 158 °F (70 °C) 38...60 V at 140 °F (60 °C) |
| Voltage state 1 guaranteed | ≥ 34 V |
| Current state 1 guaranteed | ≥ 2 mA |
| Voltage state 0 guaranteed | ≤ 10 V |
| Current state 0 guaranteed | ≤ 0.5 mA |
| Input impedance | 19200 Ohm |
| Insulation resistance | > 10 MOhm 500 V DC |
| Power dissipation in W | ≤ 3.6 W |
| DC typical filtering time | 4 ms |
| DC maximum filtering time | 7 ms |
| Paralleling of inputs | Yes |
| Typical current consumption | 90 mA at 3.3 V DC |
| MTBF reliability | 798237 H |

| | |
|-----------------------------|--|
| Protection type | Reverse polarity protection 1 external fuse per group of channel 0.5 A fast blow |
| Voltage detection threshold | < 24 V DC sensor fault > 36 V DC sensor OK |
| Status LED | 1 LED green module operating (RUN) 1 LED per channel green channel diagnostic 1 LED red module I/O 1 LED red module error (ERR) |
| Product weight | 0.25 lb(US) (0.115 kg) |

Environment

| | |
|---------------------------------------|--|
| IP degree of protection | IP20 |
| Product certifications | CSA IEC-Ex RCM ATEX UL Merchant Navy EAC CE |
| Standards | CSA C22.2 No 61010-2-201 UL 61010-2-201 EN/IEC 61131-2 EN/IEC 61010-2-201 |
| Dielectric strength | 1500 V AC at 50/60 Hz 1 minute, primary/secondary |
| Vibration resistance | 3 gn |
| Shock resistance | 30 gn |
| Ambient air temperature for storage | -40...185 °F (-40...85 °C) |
| Ambient air temperature for operation | -13...158 °F (-25...70 °C) |
| Relative humidity | 5...95 % without condensation 55 °C |
| Protective treatment | Conformal coating Humiseal 1A33 TC |
| Environmental characteristic | 3C3 conforming to EN/IEC 60721-3-3 3C4 conforming to EN/IEC 60721-3-3 |
| Operating altitude | 0...6561.68 ft (0...2000 m) 2000...5000 m (with derating factor) |

Ordering and shipping details

| | |
|-----------------------|----------------------|
| Category | 18160 - MODICON M340 |
| Discount Schedule | PC34 |
| Nbr. of units in pkg. | 1 |
| Package weight(Lbs) | 1 |
| Returnability | N |
| Country of origin | ID |

Offer Sustainability

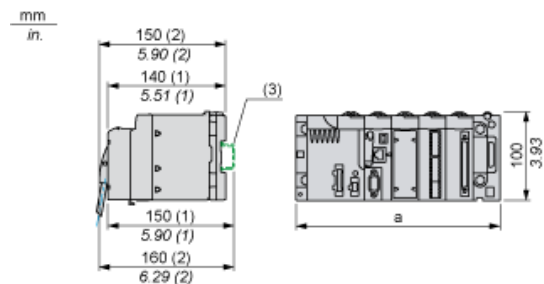
| | |
|----------------------------------|---|
| Sustainable offer status | Green Premium product |
| RoHS (date code: YYWW) | Compliant - since 0911 - Schneider Electric declaration of conformity Schneider Electric declaration of conformity |
| REACH | Reference contains SVHC above the threshold - Go to CaP for more details Go to CaP for more details |
| Product environmental profile | Available |
| Product end of life instructions | Need no specific recycling operations |

Contractual warranty

| | |
|-----------------|-----------|
| Warranty period | 18 months |
|-----------------|-----------|

Modules Mounted on Racks

Dimensions

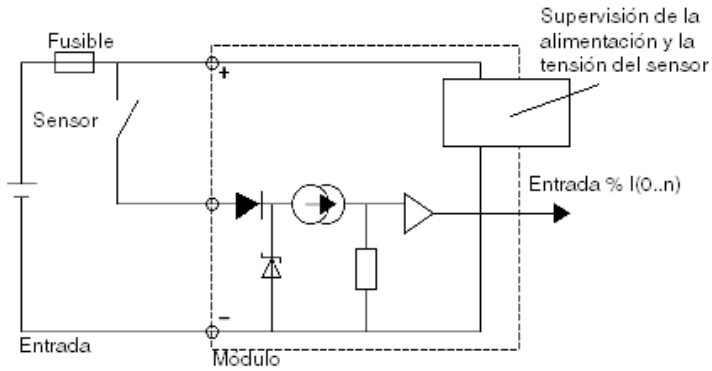


- (1) With removable terminal block (cage, screw or spring).
- (2) With FCN connector.
- (3) On AM1 ED rail: 35 mm wide, 15 mm deep. Only possible with BMXXBP0400/0400H/0600/0600H/0800/0800H rack.

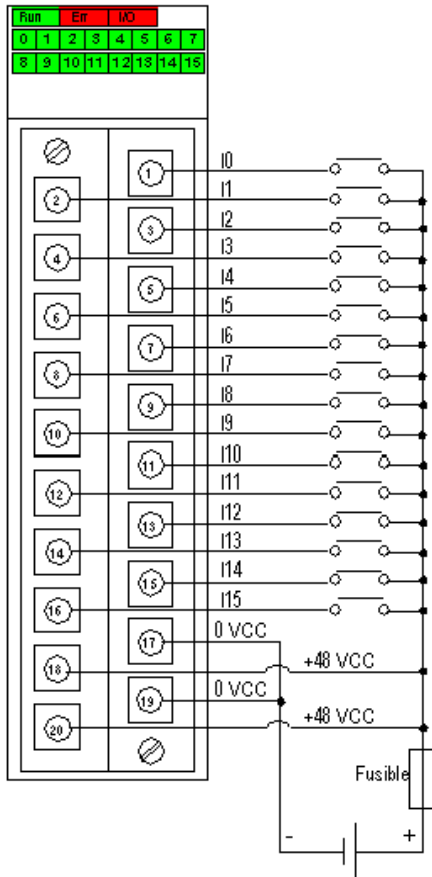
| Rack references | a in mm | a in in. |
|----------------------------|---------|----------|
| BMXXBP0400 and BMXXBP0400H | 242.4 | 09.54 |
| BMXXBP0600 and BMXXBP0600H | 307.6 | 12.11 |
| BMXXBP0800 and BMXXBP0800H | 372.8 | 14.68 |
| BMXXBP1200 and BMXXBP1200H | 503.2 | 19.81 |

Connecting the Module

Input Circuit Diagram



Module Connection



power supply 48 VDC
fuse fast blow fuse of 0.5 A