



Price* : 408.00 USD



Main

Range of product	Modicon X80
Product or component type	Discrete output module
Product specific application	For severe environments
Electrical connection	20-way connector
Discrete output number	16
Discrete output type	Solid state
Discrete output logic	Negative
Discrete output voltage	24 V 19...30 V DC
Discrete output current	0.5 A
Output compatibility	Not IEC 61131-2 DC input

Complementary

Current per channel	≤ 0.625 A
Current per module	≤ 10 A
Leakage current	≤ 0.5 mA at state 0
[Ures] residual voltage	≤ 1.2 V at state 1
Insulation resistance	> 10 MOhm 500 V DC
Power dissipation in W	≤ 2.26 W
Response time on output	1.2 ms
Paralleling of outputs	Yes : 3 maximum
Typical current consumption	100 mA at 3.3 V DC
Protection type	External short-circuit protection Overload protection Overvoltage protection Reverse polarity protection
Output overload protection	With electronic circuit breaker $1.5 I_n < I_d < 2 I_n$ With current limiter

Output overvoltage protection	With transil diode
Output short-circuit protection	With 2 A external fuse
Reverse polarity protection	Reverse mounted diode
Voltage detection threshold	< 14 V DC preactuator fault > 18 V DC preactuator at state 0
Tungsten load	<= 6 W
Switching frequency	0.5/LI ² Hz
Load impedance ohmic	<= 48 Ohm
Status LED	1 LED green module operating (RUN) 1 LED per channel green channel diagnostic 1 LED red module I/O 1 LED red module error (ERR)
Product weight	0.26 lb(US) (0.12 kg)

Environment

IP degree of protection	IP20
Product certifications	EAC CE ATEX UL RCM Merchant Navy IEC-Ex CSA
Standards	EN/IEC 61131-2 UL 61010-2-201 EN/IEC 61010-2-201 CSA C22.2 No 61010-2-201
Dielectric strength	1500 V AC at 50/60 Hz 1 minute, output/ground 1500 V AC at 50/60 Hz 1 minute, output/internal logic
Vibration resistance	3 gn
Shock resistance	30 gn
Ambient air temperature for storage	-40...185 °F (-40...85 °C)
Ambient air temperature for operation	-13...158 °F (-25...70 °C)
Relative humidity	5...95 % without condensation 55 °C
Protective treatment	Conformal coating Humiseal 1A33 TC
Environmental characteristic	Corrosion resistance Dust resistant
Operating altitude	0...6561.68 ft (0...2000 m) 2000...5000 m (with derating factor)

Ordering and shipping details

Category	18160 - MODICON M340
Discount Schedule	PC34
Nbr. of units in pkg.	1
Package weight(Lbs)	0.5200000000000002
Returnability	N
Country of origin	FR

Offer Sustainability

Sustainable offer status	Green Premium product
RoHS (date code: YYWW)	Compliant - since 0901 - Schneider Electric declaration of conformity Schneider Electric declaration of conformity
REACH	Reference not containing SVHC above the threshold Reference not containing SVHC above the threshold
Product environmental profile	Available

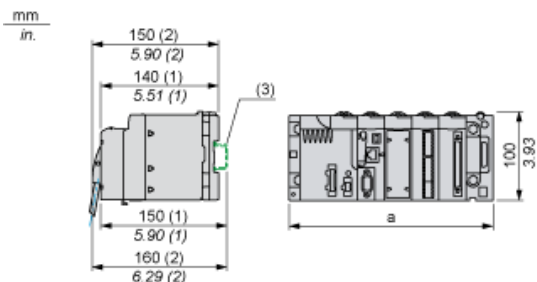
Product end of life instructions	Available
----------------------------------	-----------

Contractual warranty

Warranty period	18 months
-----------------	-----------

Modules Mounted on Racks

Dimensions

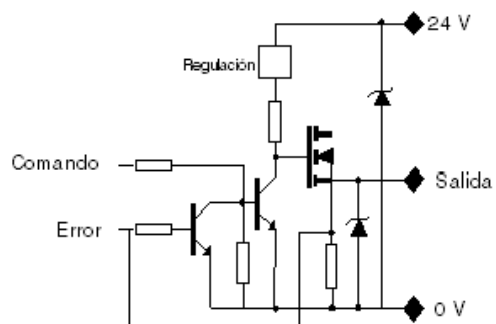


- (1) With removable terminal block (cage, screw or spring).
- (2) With FCN connector.
- (3) On AM1 ED rail: 35 mm wide, 15 mm deep. Only possible with BMXXBP0400/0400H/0600/0600H/0800/0800H rack.

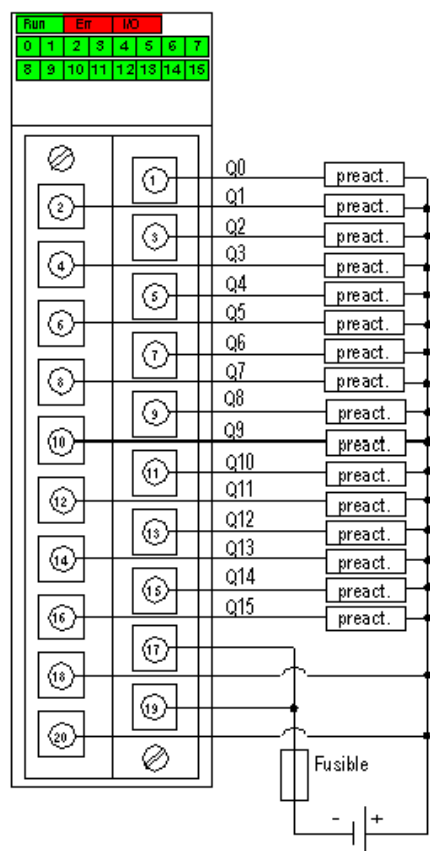
Rack references	a in mm	a in in.
BMXXBP0400 and BMXXBP0400H	242.4	09.54
BMXXBP0600 and BMXXBP0600H	307.6	12.11
BMXXBP0800 and BMXXBP0800H	372.8	14.68
BMXXBP1200 and BMXXBP1200H	503.2	19.81

Connecting the Module

Output Circuit Diagram



Module Connection



power supply 24VDC
fuse fast blow fuse of 6.3 A
pre-act pre-actuator