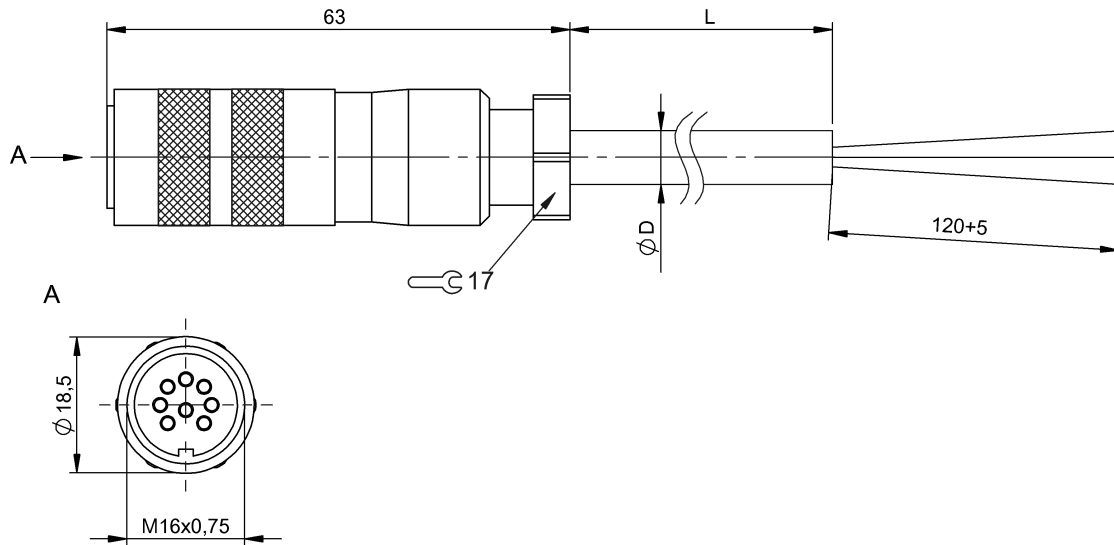


## BKS-S 32M-TF-05 BCC0CFH



### Electrical connection

|                                  |   |
|----------------------------------|---|
| Bending radius min., fixed cable | 15 x D  |
| Cable                            | PTFE shielded, self-extinguishing black, 5.00 m |
| Cable diameter D                 | 6.35 mm ±0.35 mm                                |
| Conductor cross-section          | 0.25 mm <sup>2</sup>                            |
| Number of conductors             | 7   |
| Number of pins                   | 8   |
| System                           | Molded  |

### Electrical data

|                                  |                  |
|----------------------------------|------------------|
| Conductor construction           | 3x2 twisted-pair |
| Operating voltage U <sub>b</sub> | 60 VDC           |

### Environmental conditions

|                                  |              |
|----------------------------------|--------------|
| Cable temperature, fixed routing | -55...200 °C |
|----------------------------------|--------------|

Protection type IEC 60529

IP67

### Material

|                          |        |
|--------------------------|--------|
| Material contact carrier | PBT    |
| Material contacts        | Bronze |
| Material grip            | Brass  |

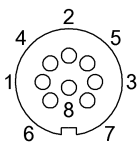
### Mechanical data

|                           |        |
|---------------------------|--------|
| Tightening torque pigtail | 0.6 Nm |
|---------------------------|--------|

### Remarks

Enclosure rating per IEC 60529, only in screwed state with the associated mating piece.  
Oil resistant per DIN VDE 0472  
Flame resistance acc. to IEC 60332-1

### Connector view



PIN 1: yellow PIN 2: gray PIN 3: pink PIN 5:  
green PIN 6: blue PIN 7: brown PIN 8: white

BKS-S 32M-TF-05  
BCC0CFH

## Wiring Diagram

