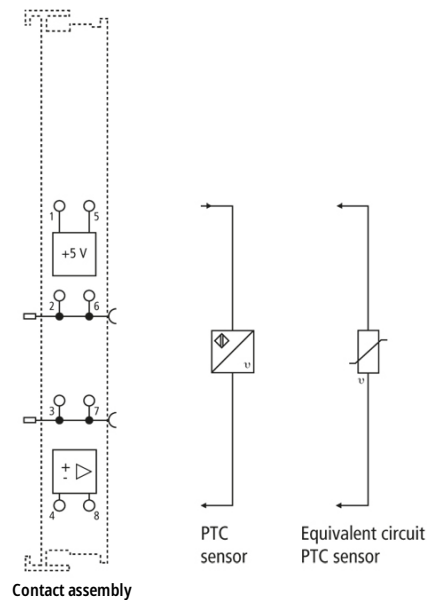
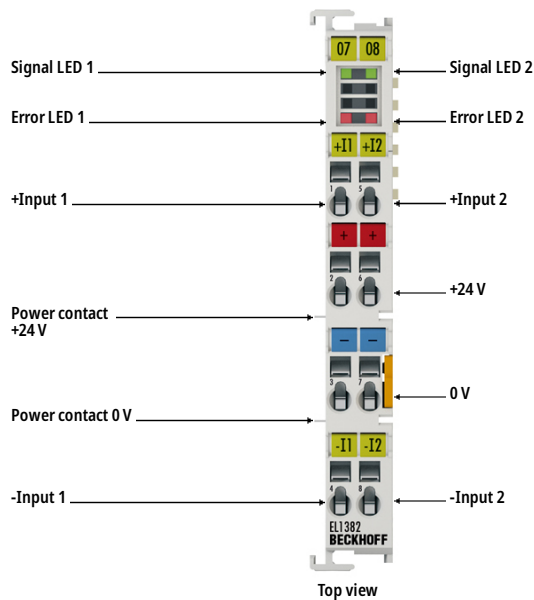
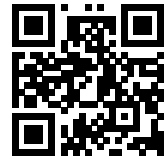


# EL1382 | EtherCAT Terminal, 2-channel digital input, thermistor, 30 ms



**i Product status:** Regular delivery

The EL1382 digital input terminal analyzes the input signal from thermistor sensors with the help of a current loop and a voltage of < 5 V. The EtherCAT Terminal contains two channels. The EL1382 is a monitoring device for thermal machine protection by PTC sensors and for the direct monitoring of motors, bearings and plants. In addition to the switching state, open circuit or short circuit is also detected. The LEDs display the signal states or any error states.

Special features:

- suitable as a monitoring device for thermal machine protection, e.g., PTC sensors
- direct monitoring of motors, bearings and plants
- possibility to diagnose open circuit and short circuit

## Product information

### Technical Data

Technical data	EL1382, ES1382
Connection technology	2-wire
Specification	thermistor PTC
Number of inputs	2
Nominal voltage	24 V (-15 %/+20 %)
"0" signal voltage	≤ 1.5 kΩ
"1" signal voltage	≥ 3 kΩ

Signal "0" release	≤ 1.5 kΩ
Signal "1" excess temperature	≥ 3 kΩ
Sensor voltage	≤ 5 V
Diagnostics	open-circuit monitoring > 12 kΩ, short-circuit diagnostic < 25 Ω
Input filter	30 ms
Distributed clocks	–
Current consumption E-bus	typ. 120 mA
Electrical isolation	500 V (E-bus/field potential)
Special features	monitoring device for thermal machine protection
Weight	approx. 55 g
Operating/storage temperature	-25...+60 °C/-40...+85 °C
Relative humidity	95 %, no condensation
Vibration/shock resistance	conforms to EN 60068-2-6/EN 60068-2-27
EMC immunity/emission	conforms to EN 61000-6-2/EN 61000-6-4
Protect. rating/installation pos.	IP20/variable
Pluggable wiring	for all ESxxx terminals
Approvals/markings	CE, UL

Housing data	EL-12-8pin	ES-12-8pin
Design form	compact terminal housing with signal LEDs	terminal housing with pluggable wiring level
Material	polycarbonate	
Dimensions (W x H x D)	12 mm x 100 mm x 68 mm	
Installation	on 35 mm DIN rail, conforming to EN 60715 with lock	
Side by side mounting by means of	double slot and key connection	
Marking	labeling of the BZxxx series	
Wiring	solid conductor (e), flexible conductor (f) and ferrule (a): spring actuation by screwdriver	
Connection cross-section	s*: 0.08...2.5 mm <sup>2</sup> , st*: 0.08...2.5 mm <sup>2</sup> , f*: 0.14...1.5 mm <sup>2</sup>	s*: 0.08...1.5 mm <sup>2</sup> , st*: 0.08...1.5 mm <sup>2</sup> , f*: 0.14...1.5 mm <sup>2</sup>
Connection cross-section AWG	s*: AWG 28...14, st*: AWG 28...14, f*: AWG 26...16	s*: AWG 28...16, st*: AWG 28...16, f*: AWG 26...16
Stripping length	8...9 mm	9...10 mm
Current load power contacts	I <sub>max</sub> : 10 A	

\*s: solid wire; st: stranded wire; f: with ferrule

## Ordering Information

**Ordering information**

EL1382	EtherCAT Terminal, 2-channel digital input, thermistor, 30 ms
ES1382	EtherCAT Terminal, 2-channel digital input, thermistor, 30 ms, pluggable wiring

---