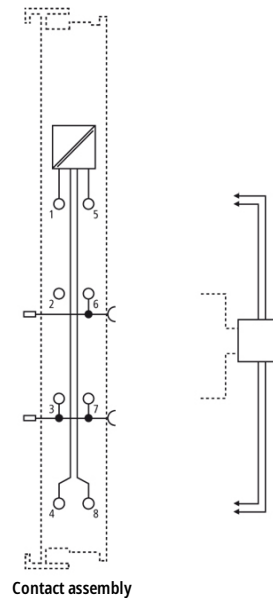
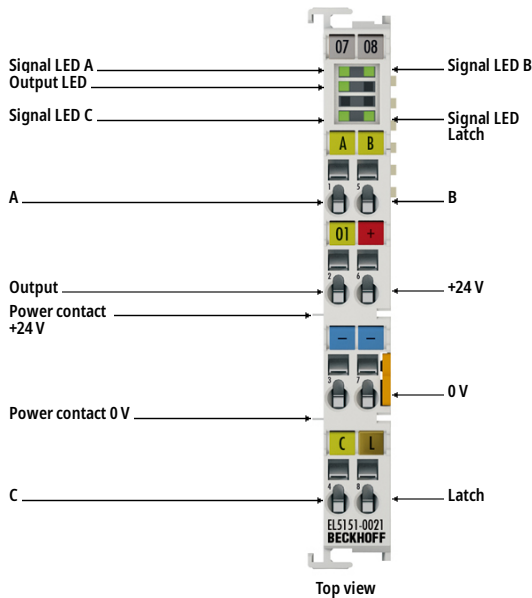
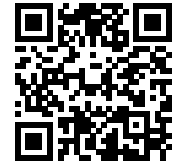


EL5151-0021 | EtherCAT Terminal, 1-channel encoder interface, incremental, 24 V DC HTL, 100 kHz, with 1 x digital output 24 V DC



i Product status: Regular delivery

The EL5151-0021 EtherCAT Terminal is an interface for the connection of a 24 V incremental encoder (24 V HTL). An additional 24 V digital input is available for storing the counter status. A compare function can be realized via a parameterizable 24 V DC output, which is set after reaching a preset counter value. The output is switched independently of the PLC cycle. The integrated workpiece measurement function enables logging of the start and end values of the counter. The measurement is triggered by the digital input. Both values are output separately as 32-bit values.

As an alternative, the EL5151-0021 can be used as a up/down counter. The 24 V supply of the encoder can be provided directly via the terminal connection points.

Special features:

- compare function via parameterizable 24 V DC output
- integrated workpiece measurement via 24 V digital input
- save, set counter
- optionally usable as 24 V up/down counter

The use of encoder profiles enables simple and fast linking of the process data for motion control applications.

Product information

Technical data

Technical data	EL5151-0021
Technology	incremental encoder interface, HTL 24 V DC

Number of channels	1
Encoder connection	1 x A, B, C: 24 V DC, single-ended connection, EN 61131-2, type 1, "0": < 5 V DC, "1": > 15 V DC, typ. 5 mA
Additional inputs	latch input, 24 V DC
Additional outputs	1 x 24 V DC output, 0.5 A
Encoder operating voltage	24 V DC (-15 %/+20 %), (generated from the 24 V DC power contacts)
Counter	1 x 32 bit
Limit frequency	400,000 increments/s (with 4-fold evaluation), corresponding to 100 kHz
Quadrature decoder	4-fold evaluation
Distributed clocks	–
Nominal voltage	24 V DC (-15 %/+20 %)
Current consumption power contacts	typ. 100 mA + load
Resolution	–
Special features	latch function, parameterizable output 24 V DC (compare function), workpiece measurement
Weight	approx. 50 g
Operating/storage temperature	0...+55 °C/-25...+85 °C
Relative humidity	95 %, no condensation
Vibration/shock resistance	conforms to EN 60068-2-6/EN 60068-2-27
EMC immunity/emission	conforms to EN 61000-6-2/EN 61000-6-4
Protect. rating/installation pos.	IP20/variable
Approvals/markings	CE, UL

Housing data	EL-12-8pin
Design form	compact terminal housing with signal LEDs
Material	polycarbonate
Dimensions (W x H x D)	12 mm x 100 mm x 68 mm
Installation	on 35 mm DIN rail, conforming to EN 60715 with lock
Side by side mounting by means of	double slot and key connection
Marking	labeling of the BZxxx series
Wiring	solid conductor (e), flexible conductor (f) and ferrule (a): spring actuation by screwdriver
Connection cross-section	s*: 0.08...2.5 mm ² , st*: 0.08...2.5 mm ² , f*: 0.14...1.5 mm ²
Connection cross-section AWG	s*: AWG 28...14, st*: AWG 28...14, f*: AWG 26...16
Stripping length	8...9 mm
Current load power contacts	I _{max} : 10 A

*s: solid wire; st: stranded wire; f: with ferrule