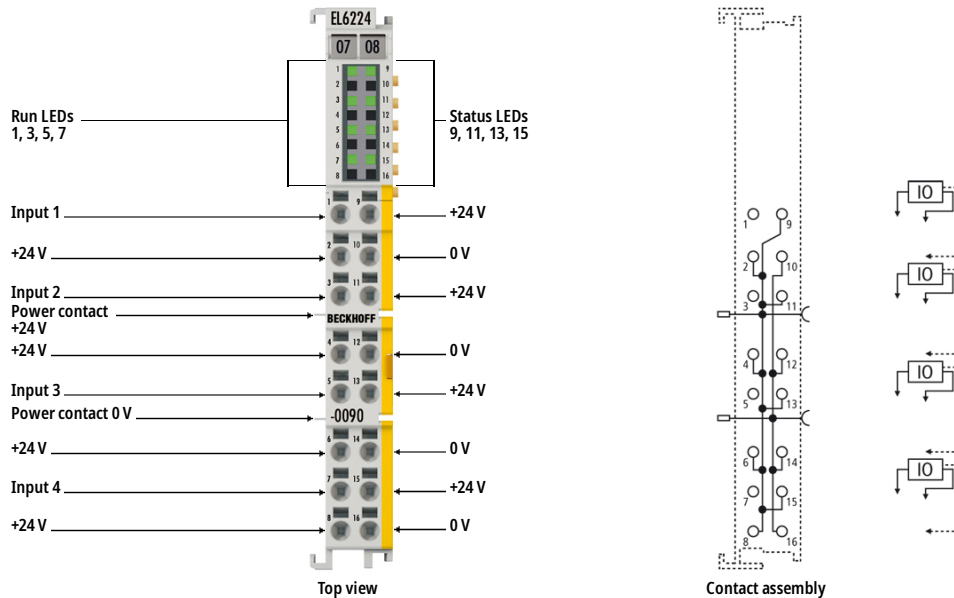
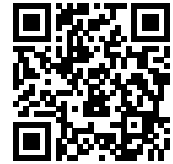


EL6224-0090 | EtherCAT Terminal, 4-channel communication interface, IO-Link, master, TwinSAFE SC



i Product status: Regular delivery

The EL6224 IO-Link terminal enables the connection of up to four IO-Link devices. These can be actuators, sensors or a combination of both. A point-to-point connection is used between the terminal and the device. The terminal is parameterized via the EtherCAT master.

The EL6224-0090 also supports TwinSAFE SC (TwinSAFE Single Channel). This enables the use of standard signals for safety tasks in any networks of fieldbuses.

IO-Link is designed as an intelligent link between the fieldbus level and the sensor, wherein parameterization information can be exchanged bidirectionally via the IO-Link connection. Parameterization of the IO-Link devices with service data can be carried out from TwinCAT via ADS or very conveniently via the integrated IO-Link commissioning tool.

In the standard setting, the EL6224-0090 functions as a 4-channel input terminal, 24 V DC, which communicates if necessary with connected IO-Link devices, parameterizes them and, if necessary, changes their operation mode. Thanks to the integration in the HD housing with 16 connection points, each IO-Link device can be operated in 3-wire mode.

Additional 24 V and 0 V connection points can be realized via the EL918x potential distribution terminal.

Product information

Technical data

Technical data	EL6224-0090
Technology	IO-Link input/output

Specification version	IO-Link V1.1
IO-Link interfaces	4
Field voltage	24 V DC via power contacts
Connection	3-wire
Data transfer rates	4.8 kbaud, 38.4 kbaud and 230.4 kbaud
Cable length	max. 20 m
Power supply	via E-bus and power contacts
Electrical isolation	500 V (E-bus/signal voltage)
Power contacts	yes
Supply current for devices	500 mA per device
Current consumption E-bus	typ. 120 mA
Special features	TwinSAFE SC, each channel parameterizable in TwinCAT
Weight	approx. 60 g
Operating/storage temperature	-25...+60 °C/-40...+85 °C
Relative humidity	95 %, no condensation
Vibration/shock resistance	conforms to EN 60068-2-6/EN 60068-2-27
EMC immunity/emission	conforms to EN 61000-6-2/EN 61000-6-4
Protect. rating/installation pos.	IP20/variable
Approvals/markings	CE, UL, ATEX
Ex marking	II 3 G Ex nA IIC T4 Gc

Housing data	EL-12-16pin
Design form	HD (High Density) housing with signal LEDs
Material	polycarbonate
Dimensions (W x H x D)	12 mm x 100 mm x 68 mm
Installation	on 35 mm DIN rail, conforming to EN 60715 with lock
Side by side mounting by means of	double slot and key connection
Marking	labeling of the BZxxx series
Wiring	solid conductors (e): direct plug-in technique; fine-stranded conductors (f) and ferrule (a): spring actuation by screwdriver
Connection cross-section	s*: 0.08...1.5 mm ² , st*: 0.25...1.5 mm ² , f*: 0.14...0.75 mm ²
Connection cross-section AWG	s*: AWG 28...16, st*: AWG 22...16, f*: AWG 26...19
Stripping length	8...9 mm
Current load power contacts	I _{max} : 10 A

*s: solid wire; st: stranded wire; f: with ferrule