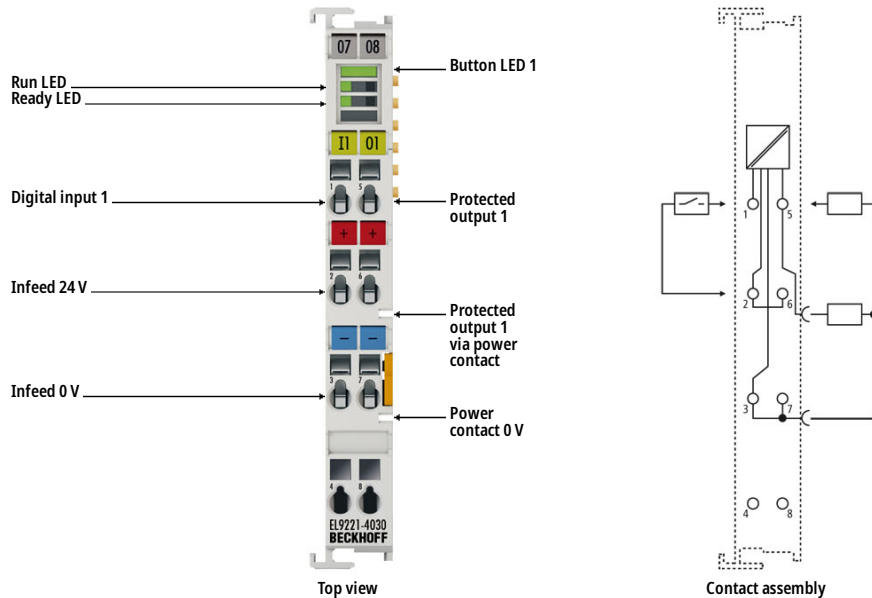




EL9221-4030 | Overcurrent protection terminal, 24 V DC, 1-channel, 3 A



i **Product status:** Regular delivery

The EL9221-4030 electronic overcurrent protection terminal is a 24 V DC EtherCAT Terminal with an electronic protection function. The EL9221-4030 is a single-channel device and switches 24 V DC overcurrents off reliably. The rated current is fixed at 3 A. The protected output can be fed out via a terminal contact or directly forwarded via the power contact of neighboring terminals without wiring. The operating status is displayed via an LED and in the process image.

Product information

Technical data

| Technical data | EL9221-4030 |
|------------------------------|--|
| Technology | overcurrent protection terminal 24 V DC, 1-channel |
| Nominal voltage | 24 V DC |
| Number of outputs | 1 |
| Number of inputs | 1 |
| Input current | max. 10 A |
| Rated current | 3 A |
| Hold after output switch-off | ≥10 s |
| Advance warning output load | 90 % |
| Integrated fail-safe element | 4 A (T) |
| Over voltage power-off | ≥ 32 V DC |

| | |
|-----------------------------------|---|
| Advance warning low-voltage | – |
| Reverse polarity switch-off | – |
| Current consumption E-bus | typ. 80 mA |
| Electrical isolation | 500 V (E-bus/signal voltage) |
| Special features | output additionally via power contact, LED button |
| Weight | approx. 55 g |
| Operating/storage temperature | 0...+55 °C/-25...+85 °C |
| Protect. rating/installation pos. | IP20/see documentation |
| Approvals/markings | CE, cULus, cURus |

| | |
|-----------------------------------|---|
| Housing data | EL-12-8pin |
| Design form | compact terminal housing with signal LEDs |
| Material | polycarbonate |
| Dimensions (W x H x D) | 12 mm x 100 mm x 68 mm |
| Installation | on 35 mm DIN rail, conforming to EN 60715 with lock |
| Side by side mounting by means of | double slot and key connection |
| Marking | labeling of the BZxxx series |
| Wiring | solid conductor (e), flexible conductor (f) and ferrule (a): spring actuation by screwdriver |
| Connection cross-section | s*: 0.08...2.5 mm ² , st*: 0.08...2.5 mm ² , f*: 0.14...1.5 mm ² |
| Connection cross-section AWG | s*: AWG 28...14, st*: AWG 28...14, f*: AWG 26...16 |
| Stripping length | 8...9 mm |
| Current load power contacts | I _{max} : 10 A |

*s: solid wire; st: stranded wire; f: with ferrule