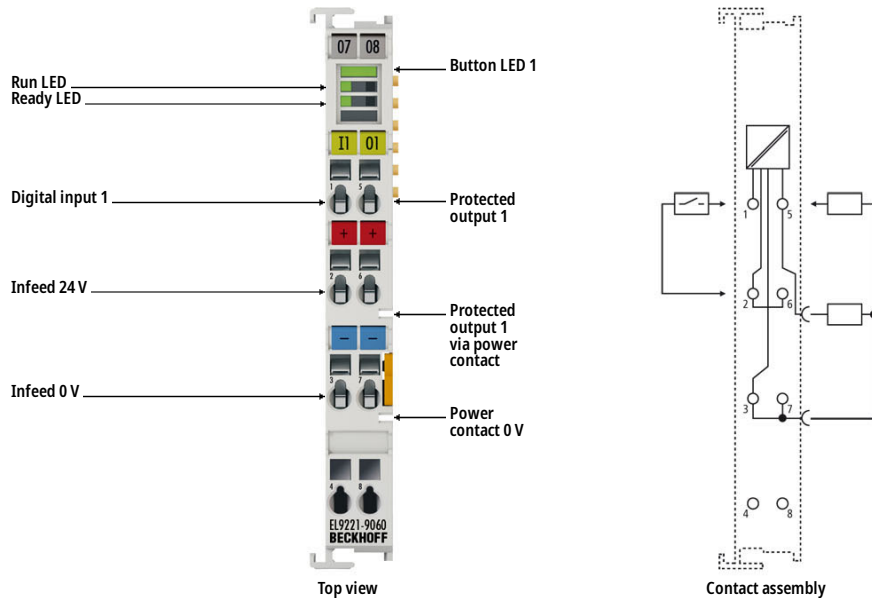




# EL9221-9060 | Overcurrent protection terminal, 24 V DC, 1-channel, 6 A



**i** **Product status:** Regular delivery

The EL9221-9060 electronic overcurrent protection terminal is a 24 V DC EtherCAT Terminal with an electronic protection function. The EL9221-9060 is a single-channel device and switches 24 V DC overcurrents off reliably. The rated current is fixed at 6 A. The protected output can be fed out via a terminal contact or directly forwarded via the power contact of neighboring terminals without wiring. The operating status is displayed via an LED and in the process image.

## Product information

### Technical data

Technical data	EL9221-9060
Technology	overcurrent protection terminal 24 V DC, 1-channel
Nominal voltage	24 V DC
Number of outputs	1
Number of inputs	1
Input current	max. 10 A
Rated current	6 A
Hold after output switch-off	≥10 s
Advance warning output load	90 %
Integrated fail-safe element	10 A (F)
Over voltage power-off	≥ 32 V DC

Advance warning low-voltage	–
Reverse polarity switch-off	–
Current consumption E-bus	typ. 80 mA
Electrical isolation	500 V (E-bus/signal voltage)
Special features	output additionally via power contact, LED button
Weight	approx. 55 g
Operating/storage temperature	0...+55 °C/-25...+85 °C
Protect. rating/installation pos.	IP20/see documentation
Approvals/markings	CE, cULus, cURus

<b>Housing data</b>	<b>EL-12-8pin</b>
Design form	compact terminal housing with signal LEDs
Material	polycarbonate
Dimensions (W x H x D)	12 mm x 100 mm x 68 mm
Installation	on 35 mm DIN rail, conforming to EN 60715 with lock
Side by side mounting by means of	double slot and key connection
Marking	labeling of the BZxxx series
Wiring	solid conductor (e), flexible conductor (f) and ferrule (a): spring actuation by screwdriver
Connection cross-section	s*: 0.08...2.5 mm <sup>2</sup> , st*: 0.08...2.5 mm <sup>2</sup> , f*: 0.14...1.5 mm <sup>2</sup>
Connection cross-section AWG	s*: AWG 28...14, st*: AWG 28...14, f*: AWG 26...16
Stripping length	8...9 mm
Current load power contacts	I <sub>max</sub> : 10 A

\*s: solid wire; st: stranded wire; f: with ferrule