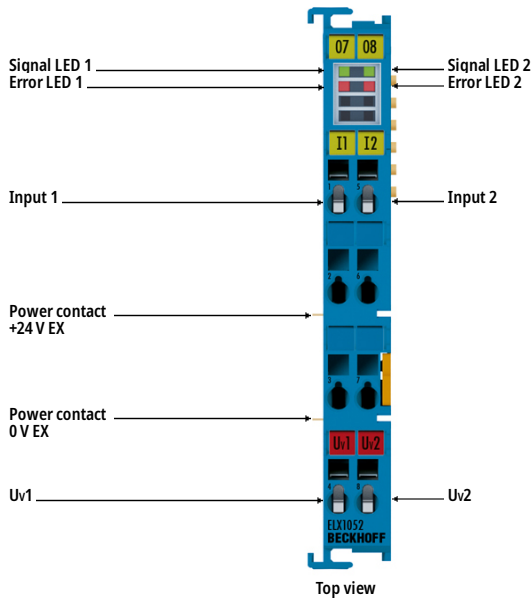
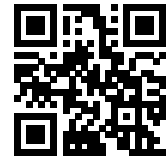


ELX1052 | EtherCAT Terminal, 2-channel digital input, NAMUR, Ex i



i Product status: Regular delivery

The ELX1052 digital input terminal allows the direct connection of intrinsically safe field devices located in hazardous areas classified Zone 0/20 or 1/21 and acquires their signals in compliance with IEC 60947-5-6. The sensors are supplied with a voltage of 8.2 V and return a diagnosable current signal. In this way wire breakage or short circuit can be detected in addition to the switching state. The LEDs represent the signal states or any error states.

EtherCAT terminals of the ELX series must always be operated in conjunction with the ELX9560 power supply terminal. This terminal generates an electrically isolated output voltage (24 V EX) from the input voltage (24 V DC) for supplying the subsequent ELX terminals. If a new power supply is required, the combination of an ELX9410 and an ELX9560 can be used so that further ELX terminals can be added. The ELX terminal string must be terminated with one ELX9012 or two ELX9410.

Product information

Technical data

Technical data	ELX1052
Technology	digital input
Specification	NAMUR (IEC 60947-5-6)
Number of inputs	2
Connection method	2-wire
Open circuit voltage	typ. 8.2 V DC
"0" signal current	≤ 1.2 mA

"1" signal current	≥ 2.1 mA
Switching hysteresis	typ. 200 µA
Short-circuit current	typ. 8.2 mA
Fault detection	I ≤ 200 µA (cable break), I ≥ 6.3 mA (short circuit)
Max. switching frequency	typ. 50 Hz (duty factor 50 %)
Supply voltage electronics	24 V DC (via power contacts), ELX9560 power supply
Current consumption power contacts	typ. 10 mA + load
Current consumption E-bus	typ. 50 mA
Weight	approx. 55 g
Operating/storage temperature	-25...+60 °C/-40...+85 °C
Relative humidity	95 %, no condensation
Vibration/shock resistance	conforms to EN 60068-2-6/EN 60068-2-27
EMC immunity/emission	conforms to EN 61000-6-2/EN 61000-6-4
Protect. rating/installation pos.	IP20/see documentation
Approvals/markings	CE, UL, ATEX, IECEx, cFMus, CCC

Ex marking	ATEX:
	II 3(1)G Ex ec [ia Ga] IIC T4 Gc II (1)D [Ex ia Da] IIIC I (M1) [Ex ia Ma] I
	IECEx:
	Ex ec [ia Ga] IIC T4 Gc [Ex ia Da] IIIC [Ex ia Ma] I
	cFMus:
	AIS Class I, II, III, Division 1, Groups A thru G Class I, Division 2, Groups A, B, C, D Class I, Zone 2, AEx ec [ia Ga] IIC T4 Gc [AEx ia Da] IIIC T4

Housing data	ELX-12-8pin
Design form	compact terminal housing with signal LEDs
Material	polycarbonate, blue
Dimensions (W x H x D)	12 mm x 100 mm x 68 mm
Installation	on 35 mm DIN rail, conforming to EN 60715 with lock
Side by side mounting by means of	double slot and key connection
Marking	labeling of the BZxxx series
Wiring	solid conductor (e), flexible conductor (f) and ferrule (a): spring actuation by screwdriver
Connection cross-section	s*: 0.08...2.5 mm ² , st*: 0.08...2.5 mm ² , f*: 0.14...1.5 mm ²
Connection cross-section AWG	s*: AWG 28...14, st*: AWG 28...14, f*: AWG 26...16

Stripping length	8...9 mm
Power contacts	2 blade/spring contacts

*s: solid wire; st: stranded wire; f: with ferrule