



EZ-8M

Main Unit, Shielded Type, M8, NPN



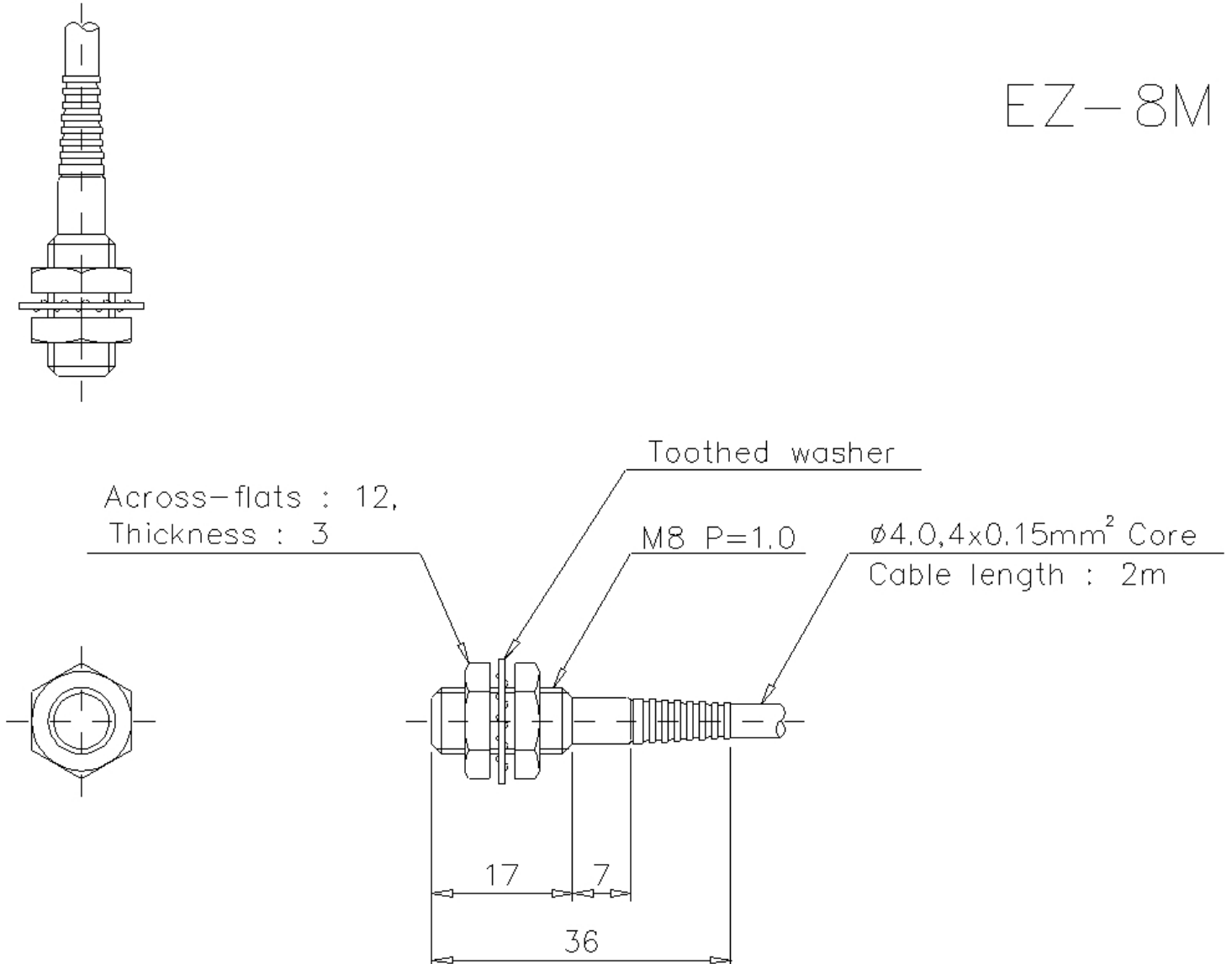
SPECIFICATIONS

Model	EZ-8M	
Type	Shielded , Threaded	
Shape	M8	
Detecting distance	1.5 mm \pm 10%	
Detectable object	Ferrous metals (see Characteristics for nonferrous metals)	
Standard target (iron, t=1mm)	10 x 10 mm	
Hysteresis	10% max. of detecting distance	
Response frequency	800 Hz	
Operation mode	N.O./N.C.	
Temperature characteristics	\pm 10% max. of detecting distance at 23°C , within -25 to +70°C	
Control output	NPN open collector 100 mA max. (40 V max.), Residual voltage: 1 V max.	
Cable length	2 m	
Rating	Power voltage	12 to 24 VDC \pm 10 % , Ripple (P-P) 10 % or less
	Current consumption	13 mA or less
Environmental resistance	Enclosure rating	IP67
	Ambient temperature	-25 to +80 °C (No freezing)
	Relative humidity	35 to 95 % RH (No condensation)
	Vibration resistance	10 to 55 Hz, Double amplitude 1.5 mm, 2 hours in each of the X, Y, and Z directions
	Shock resistance	500 m/s ² , 3 times in each of the X, Y, and Z directions
Case material	SUS303	
Accessories	Screw nut x 2, toothed washer x 1	
Weight	Approx. 50 g	

Dimensions

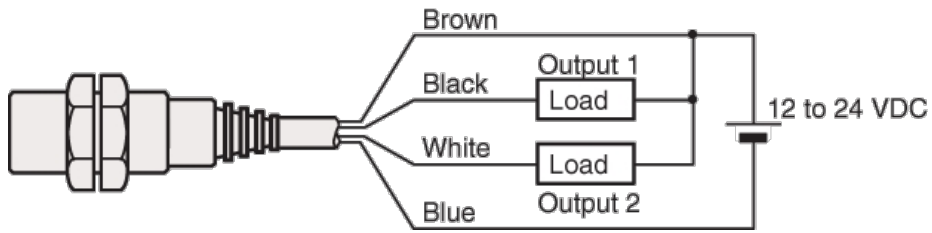
* Download CAD file or product manual for larger image/text and more detail.

EZ-8M

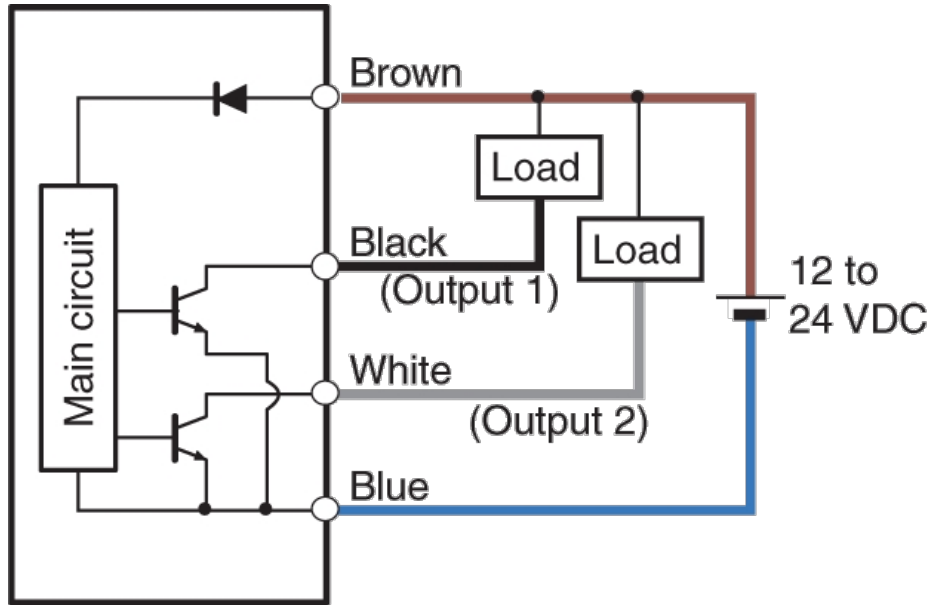


I/O Circuit Connection diagram

* Download CAD file or product manual for larger image/text and more detail.



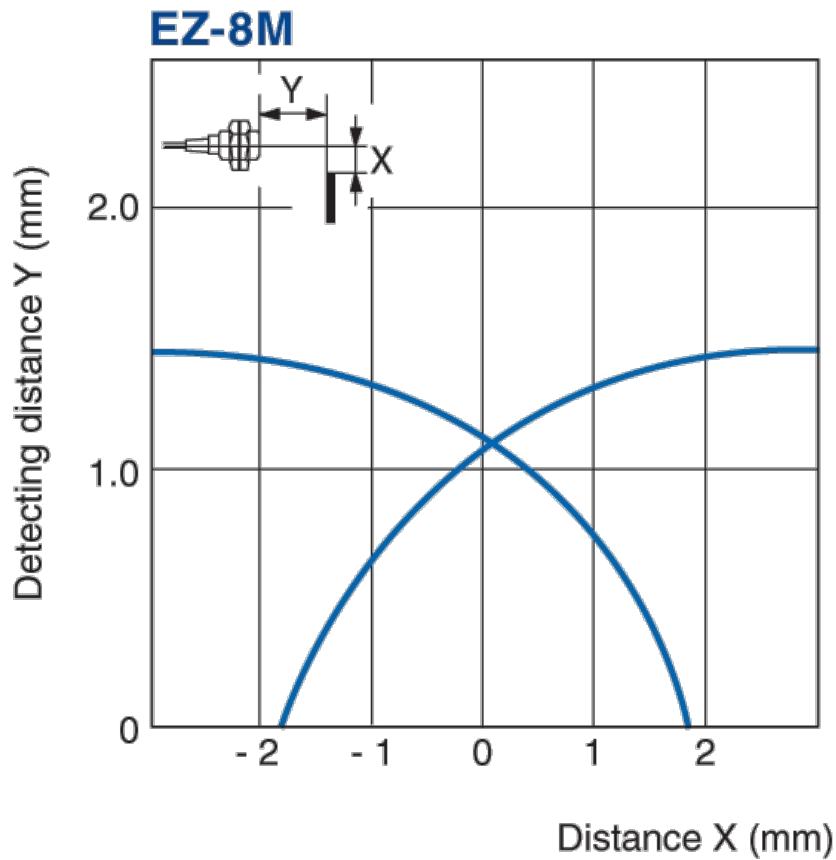
Input/Output Circuits



Characteristic

* Download CAD file or product manual for larger image/text and more detail.

Detecting range (Typical)



Detecting distance vs. size and material of target (Typical)

