

FU-A100

Transmissive Fibre Unit



SPECIFICATIONS

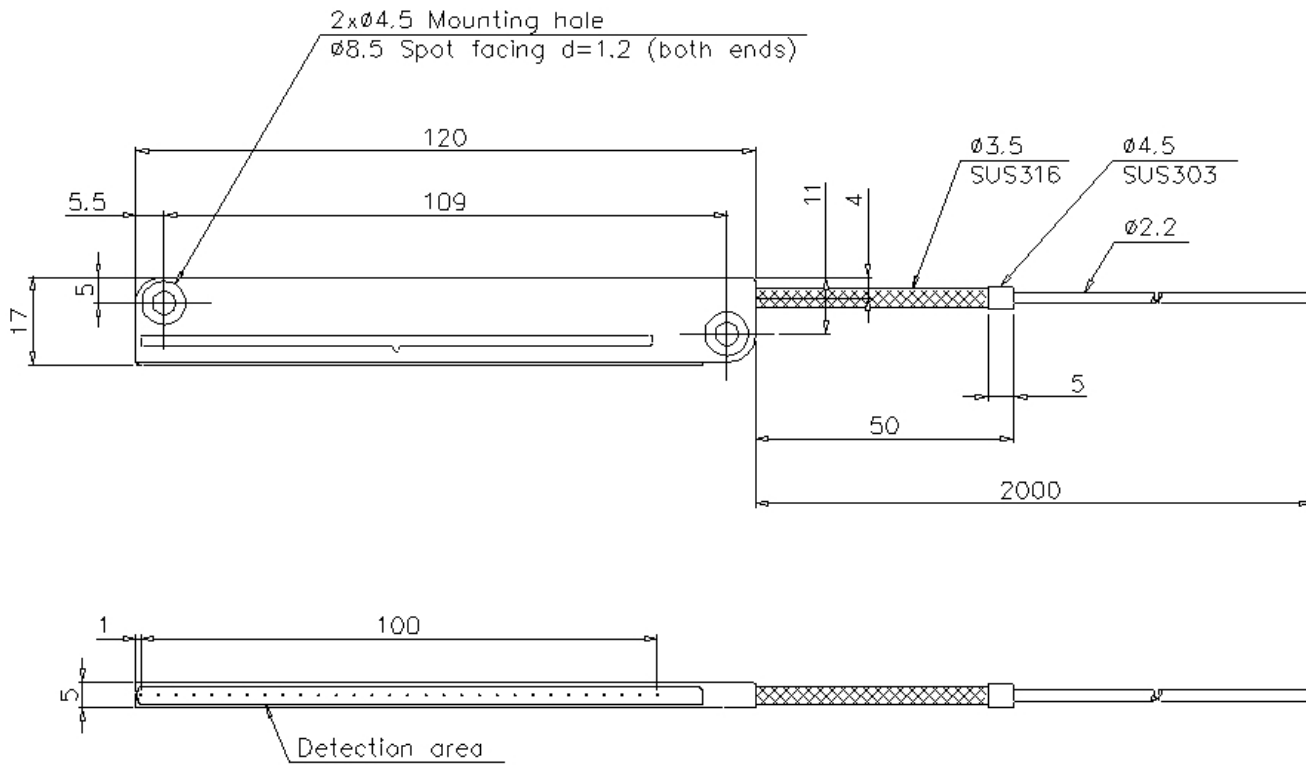
Model	FU-A100 ^{*1}	
Type	Array thru-beam 100 mm type	
Optical axis area (Standard detection target)	100 x 0.25 mm	
Fibre unit length	2 m ² (Free-cut) ø2.2 mm Spiral parts cannot be cut	
Minimum bend radius	R10 mm	
Minimum detectable object	ø6 mm opaque object ^{*3}	
Tightening torque	0.75 N·m	
Environmental resistance	Enclosure rating	IP67
	Ambient temperature	-20 to +50 °C (No freezing)
	Relative humidity	35 to 85 % RH (No condensation)
Material	Case : Die-cast zinc, Detecting surface : PBT, Core fibre : Acrylic, Fibre sheath : Polyethylene	
Accessories	Fibre cutter, Mounting screws (M4 X L8, 4 units)	
Weight	Approx. 110 g	

^{*1} For details on the detecting distance, see the fibre amplifier catalogue.
^{*2} A 5 m type is also available. Contact your nearest KEYENCE sales office.
^{*3} The minimum detectable object was determined at the optimal detecting distance and sensitivity setting.

Dimensions

* Download CAD file or product manual for larger image/text and more detail.

FU-A100



Case material : Zinc die-casting

*Supplied screw (M4,L=8)

Detail of detection area

