



## FU-E11

Transmissive Fibre Unit, Area Type, 11-mm Wide

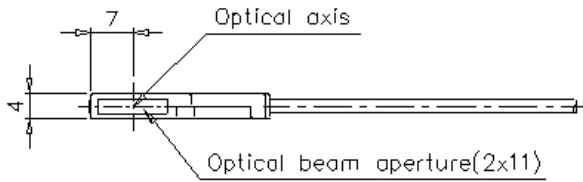
## SPECIFICATIONS

Model	FU-E11	
Type	Area thru-beam	
No. of beam axes	11 × 2 mm, 11 × 1 mm (when the 1.0 mm slit is attached), 11 × 0.5 mm (when the 0.5 mm slit is attached)	
Fibre unit length	2 m free-cut	
Fibre unit diameter	ø2.2	
Minimum bend radius	R2 mm	
Minimum detectable object	Opaque material with a diameter of 0.2 mm <sup>*1</sup>	
Tightening torque	0.15 N m	
Environmental resistance	Ambient temperature	-40 to +50 °C (No freezing)
	Relative humidity	35 to 85 % RH (No condensation)
Material	Main unit case : polybutylene terephthalate, screw mounting seat : SUS304, lens : norbornene plastic, core fibre : acrylic, fibre sheath : polyethylene	
Accessories	Mounting screws (M2 × 6), nuts (M2, t = 1.2), fibre cutter, slit (0.5 mm or 1.0 mm width)	
Weight	Approx. 20 g	
<sup>*1</sup> The minimum detectable object is the value when the detecting distance and sensitivity have been set to their optimal state.		

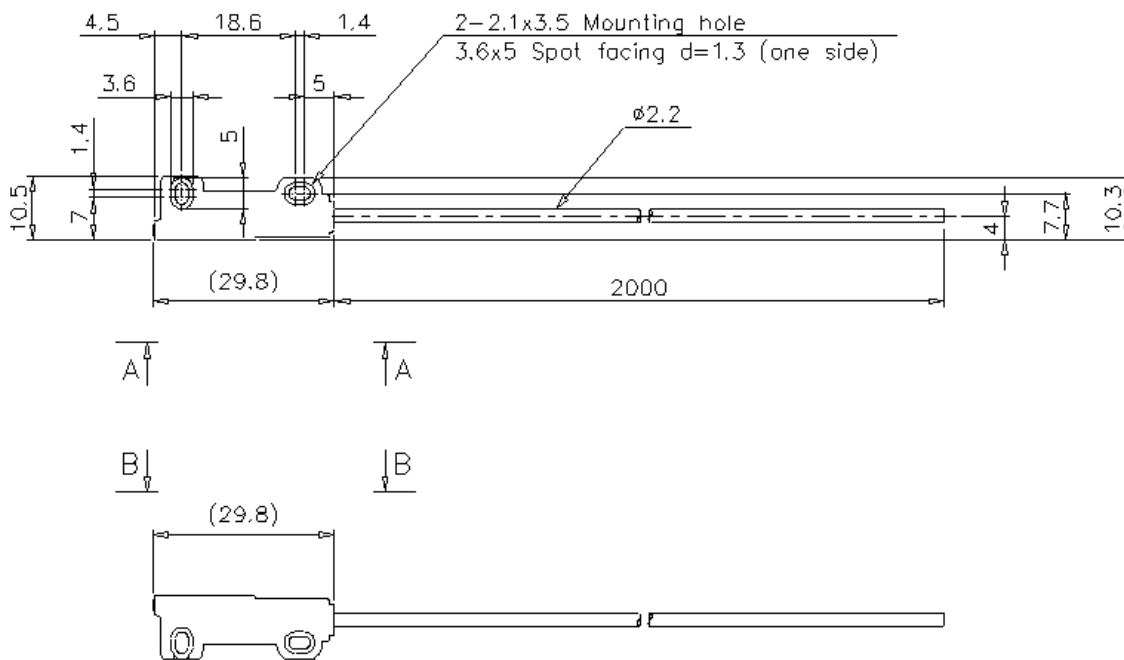
Dimensions

\* Download CAD file or product manual for larger image/text and more detail.

FU-E11



View A-A

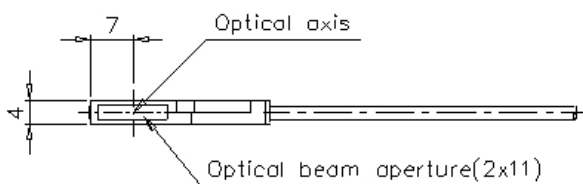


A

A

B

B



View B-B

\*Supplied screw : M2xL6 (4pcs.)  
 nut : M2, t=1.2 (4pcs.)  
 slit : 0.5mm/1mm (2sets.)