



IV-HG600MA

Sensor Head, Wide field of view, Monochrome, Automatic focus model



SPECIFICATIONS

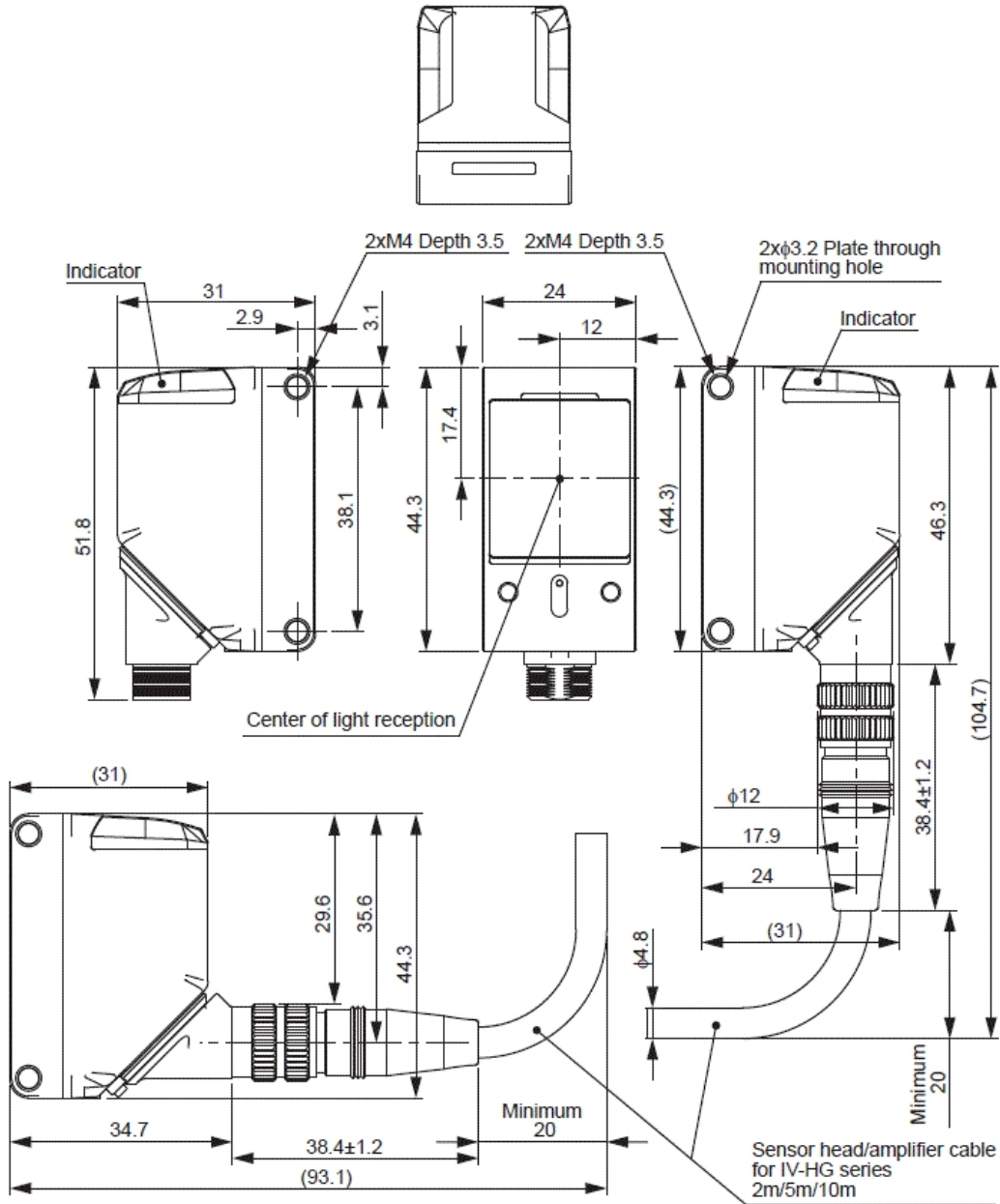
Model		IV-HG600MA
Type		Wide field of view sensor model
Installed distance		40 to 600 mm 1.57" to 23.62"
View		Installed distance 40 mm 1.57": 42 (H) × 31 (V) mm 1.65" (H) × 1.22" (V) to installed distance 600 mm 23.62": 550 (H) × 412 (V) mm 21.65" (H) × 16.22" (V)
Image sensor	Type	1/3 inch monochrome CMOS
	Pixel	752 (H) × 480 (V)
Focus adjustment		Auto ^{*1}
Exposure time		1/50 to 1/50000
Lights	Illumination	Infrared LED
	Lighting method	Pulse lighting
Indicators		2 (the same display details for both indicators)
Environmental resistance	Enclosure rating	IP67 ^{*2}
	Ambient temperature	0 to +50 °C 32 to 122 °F (No freezing)
	Relative humidity	35 to 85 % RH (No condensation)
	Vibration resistance	10 to 55 Hz, Double amplitude 1.5 mm 0.06", 2 hours in each of the X, Y, and Z directions ^{*3}
	Shock resistance	500 m/s ² , 3 times in each of 6 directions ^{*3}
Material		Main unit case: Zinc die-casting, Front cover: Acrylic (hard coat), Operation indicator cover: TPU
Weight		Approx. 75 g
^{*1} The focusing position can be automatically adjusted at the time of installation. Deactivated during the operation. Focusing position can be registered by program. ^{*2} Except when polarized filter attachment (OP-87899/OP-87900/OP-87901/OP-87902) is mounted ^{*3} Except when IV-HG dome attachment (IV-GD05/IV-GD10) is mounted		

Dimensions

* Download CAD file or product manual for larger image/text and more detail.

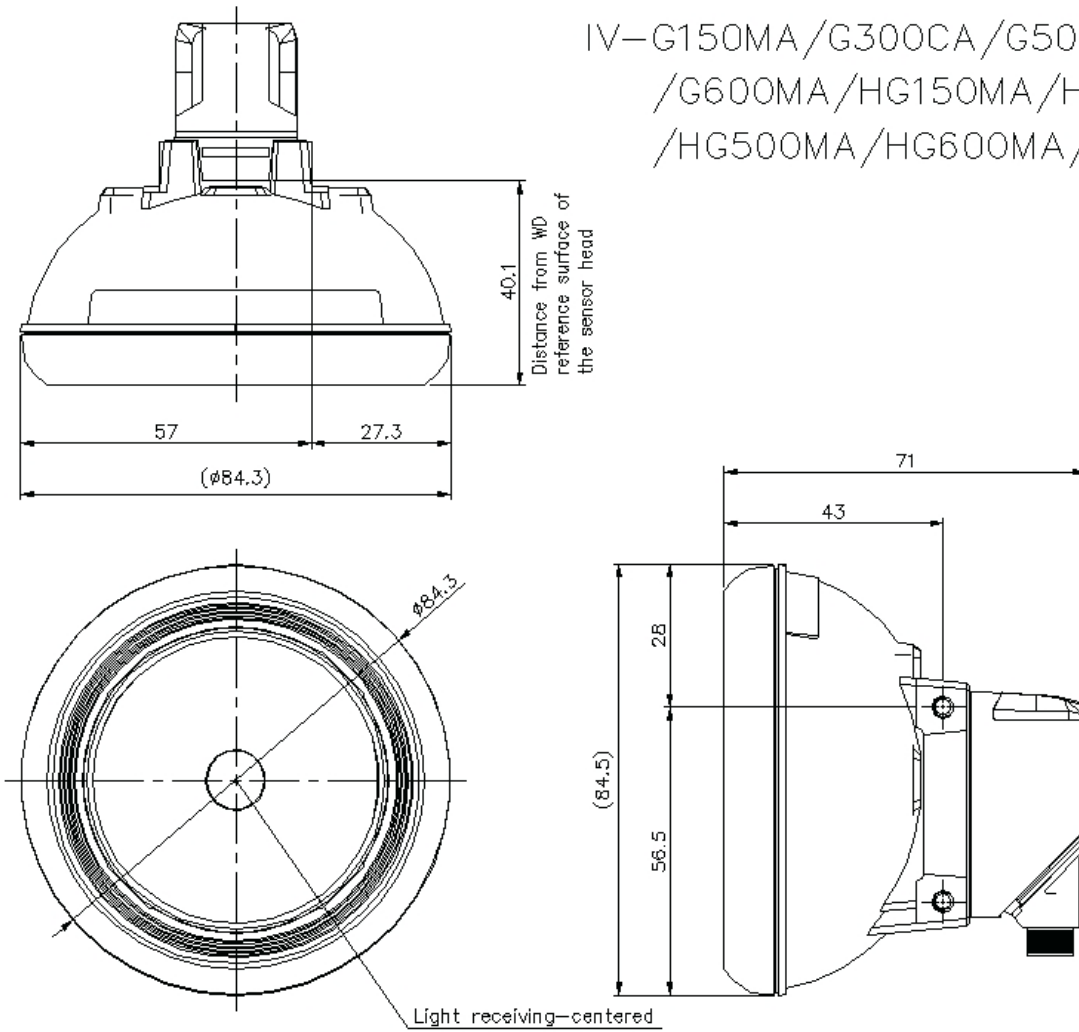
iv-g_hg_camera_dimension_01.gif

- IV-HG500CA • IV-HG500MA • IV-HG150MA • IV-HG300CA • IV-HG600MA



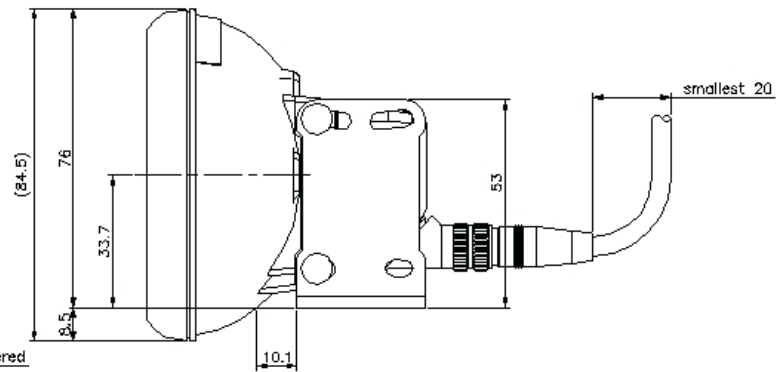
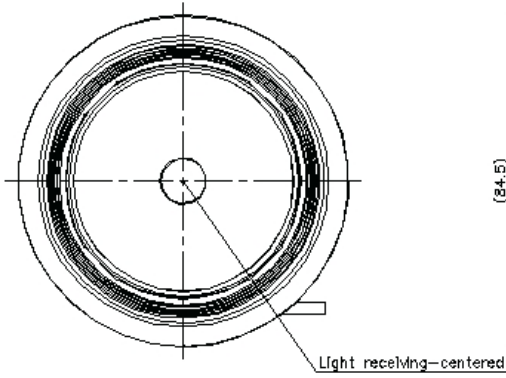
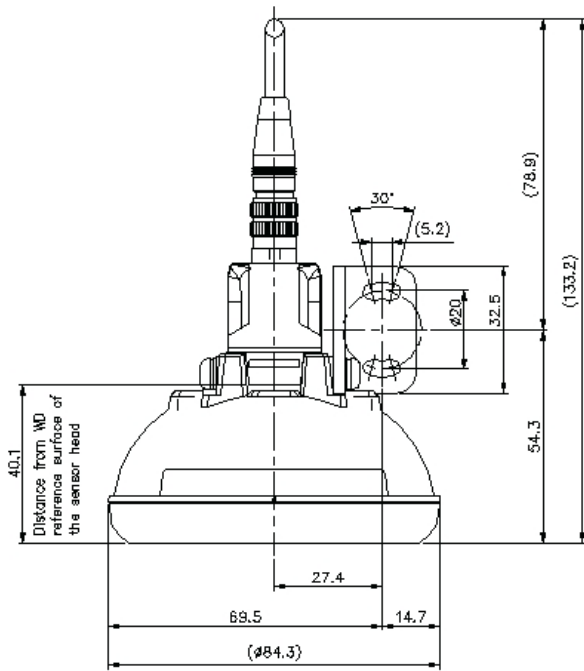
iv-g_hg_camera_gd05_dimension_01.gif

IV-G150MA/G300CA/G500CA/G500MA
 /G600MA/HG150MA/HG300CA/HG500CA
 /HG500MA/HG600MA/GD05



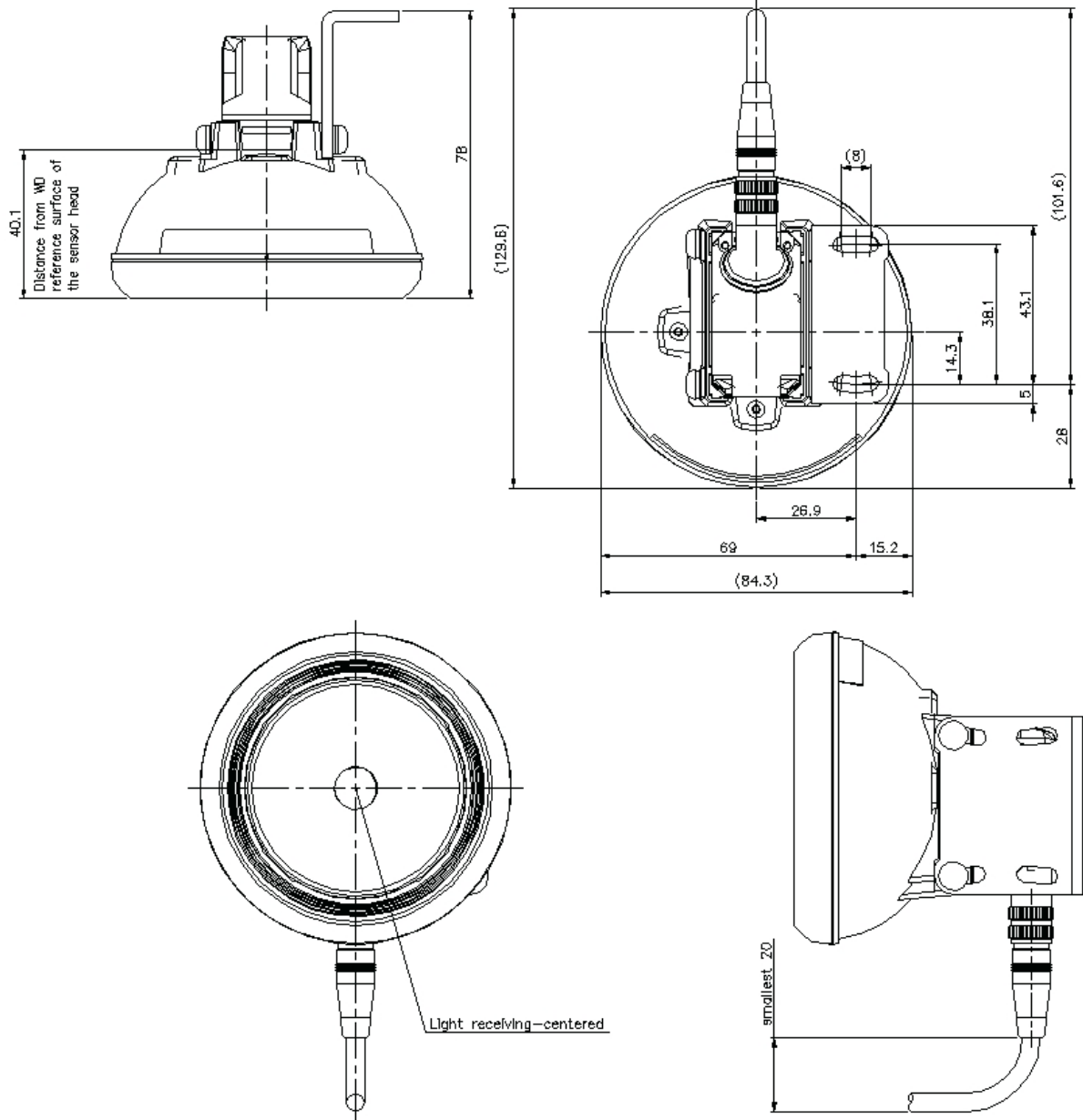
iv-g_hg_camera_gd05_op87908_dimension_01.gif

IV-G150MA/G300CA/G500CA/G500MA
 /G600MA/HG150MA/HG300CA/HG500CA
 /HG500MA/HG600MA/GD05/OP-87908



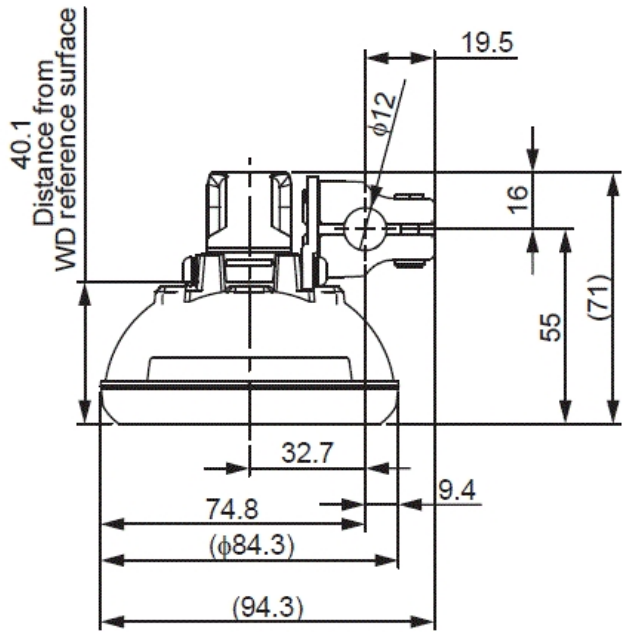
iv-g_hg_camera_gd05_op87909_dimension_01.gif

IV-G150MA/G300CA/G500CA/G500MA
 /G600MA/HG150MA/HG300CA/HG500CA
 /HG500MA/HG600MA/GD05/OP-87909

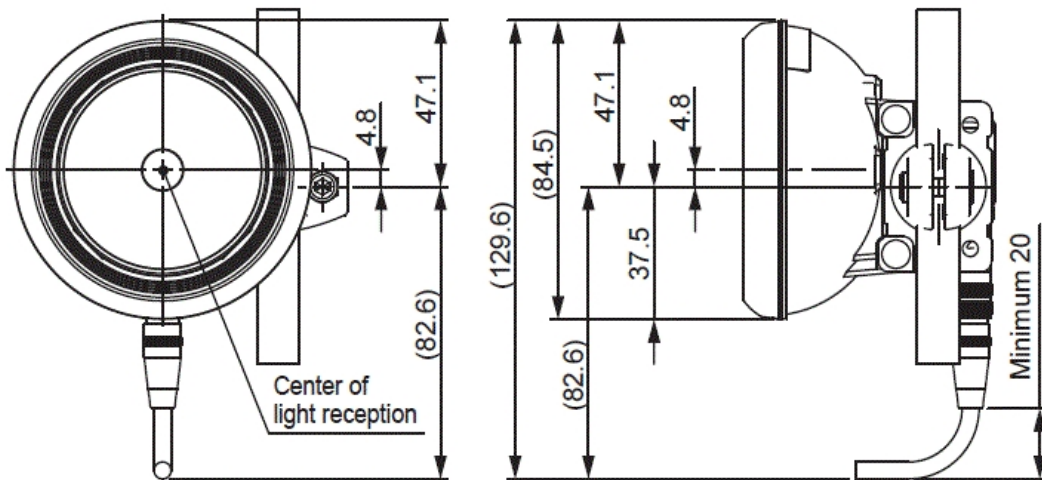


iv-g_hg_camera_gd05_op87910_dimension_01.gif

- Dome attachment for IV-HG series (IV-GD05)
with Adjustable bracket for IV-HG series (OP-87910)

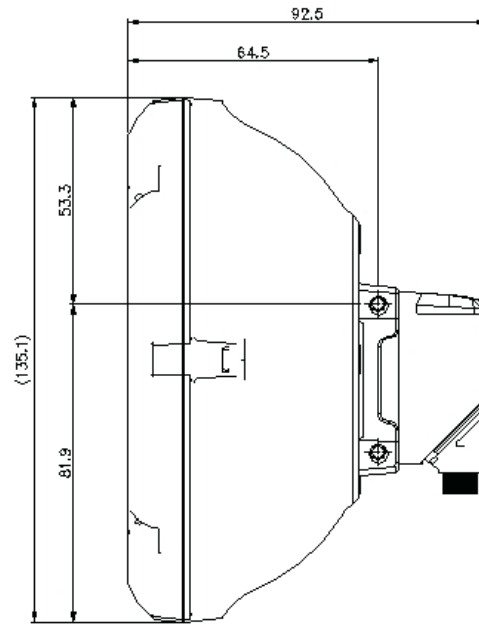
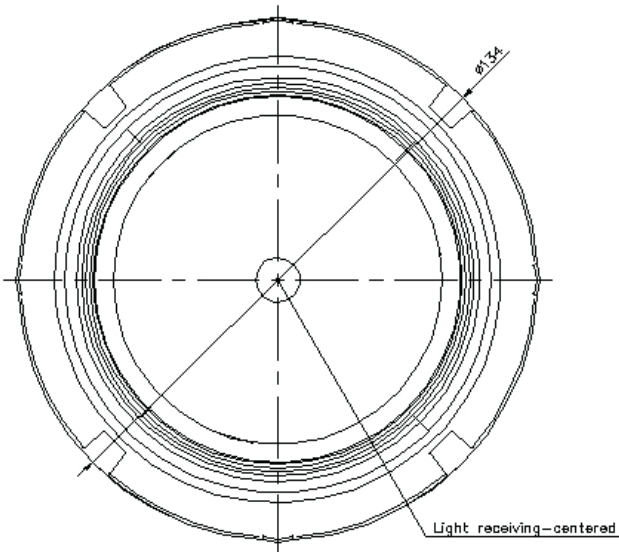
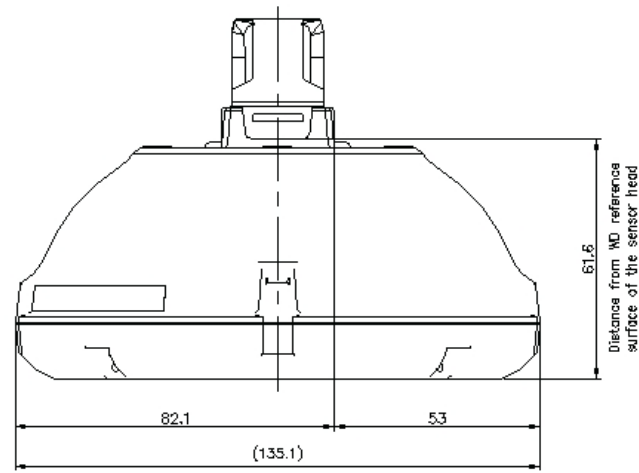


* Strut $\phi 12$ is not supplied with the OP-87910

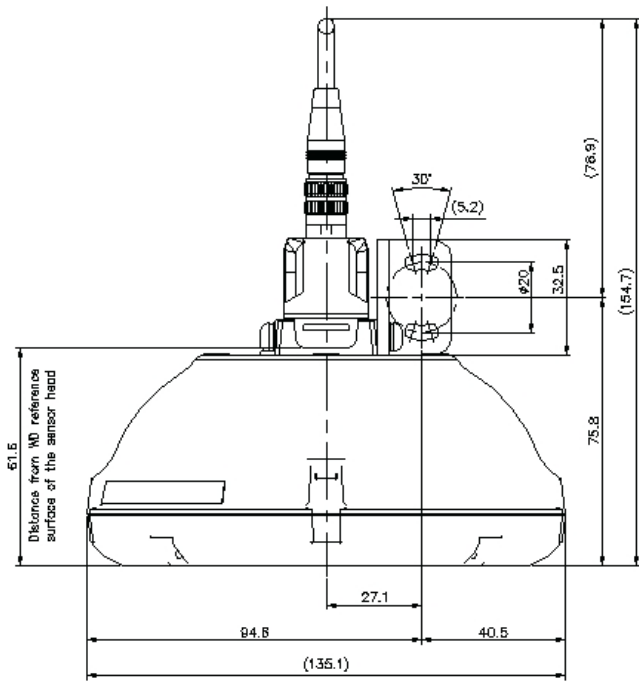


iv-g_hg_camera_gd10_dimension_01.gif

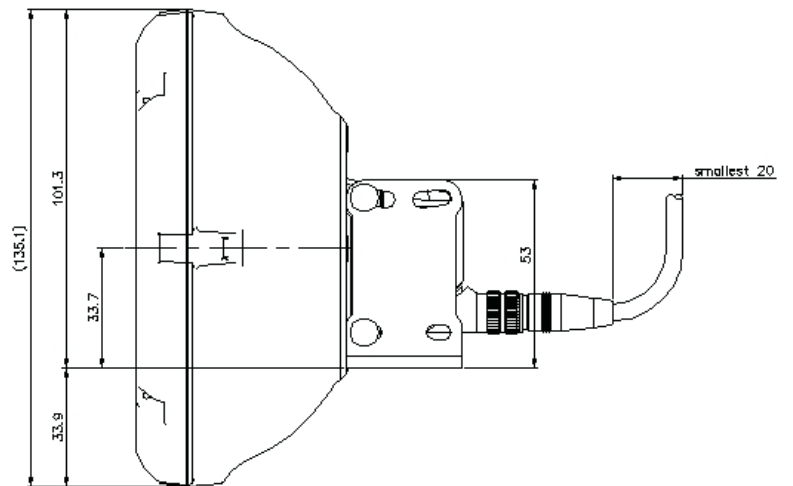
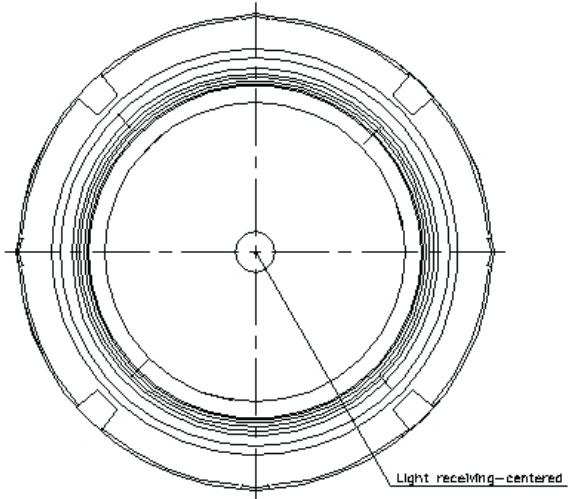
IV-G150MA/G300CA/G500CA/G500MA
 /G600MA/HG150MA/HG300CA/HG500CA
 /HG500MA/HG600MA/GD10



iv-g_hg_camera_gd10_op87908_dimension_01.gif

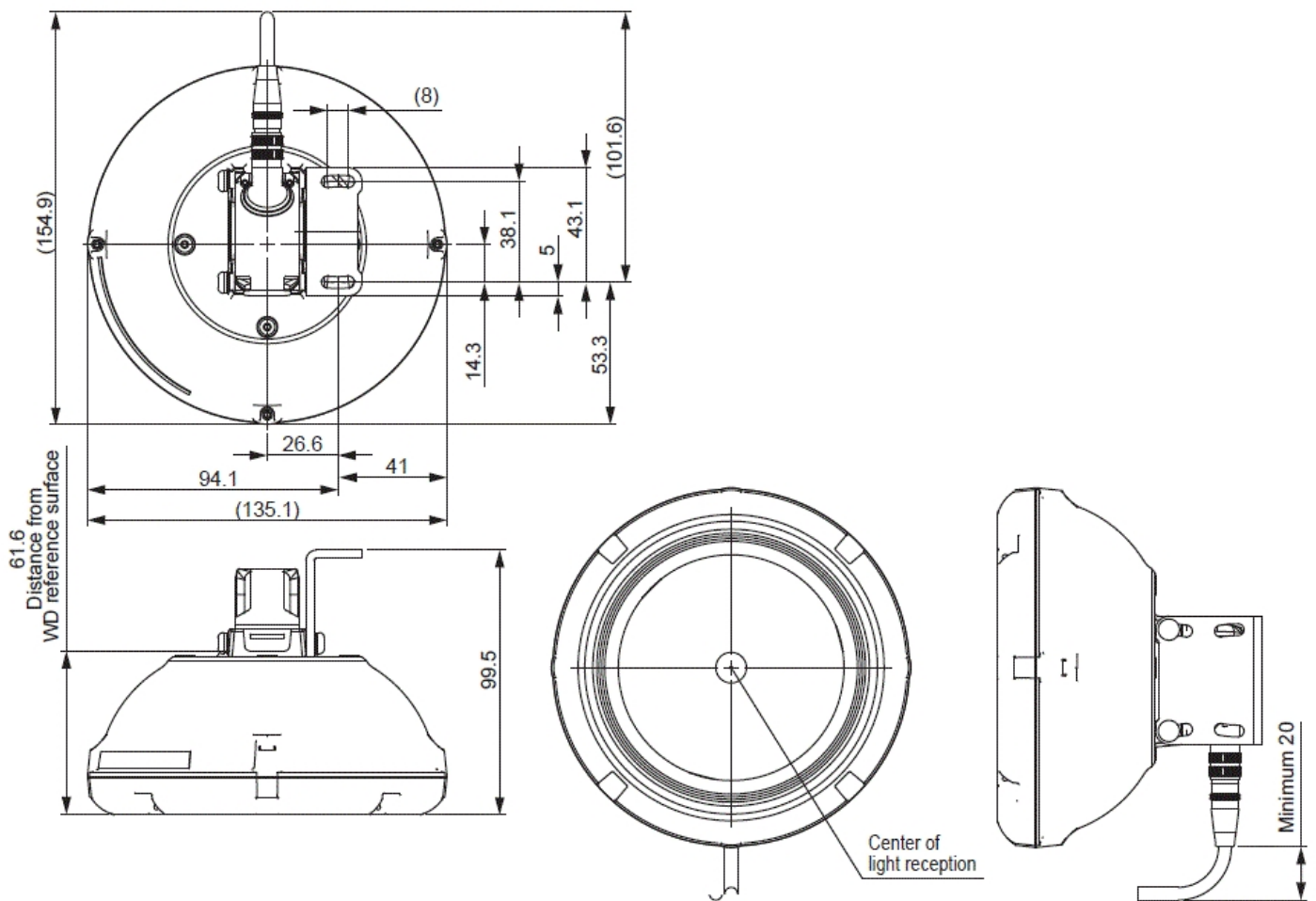


IV-G150MA/G300CA/G500CA/G500MA
 /G600MA/HG150MA/HG300CA/HG500CA
 /HG500MA/HG600MA/GD10/OP-87908



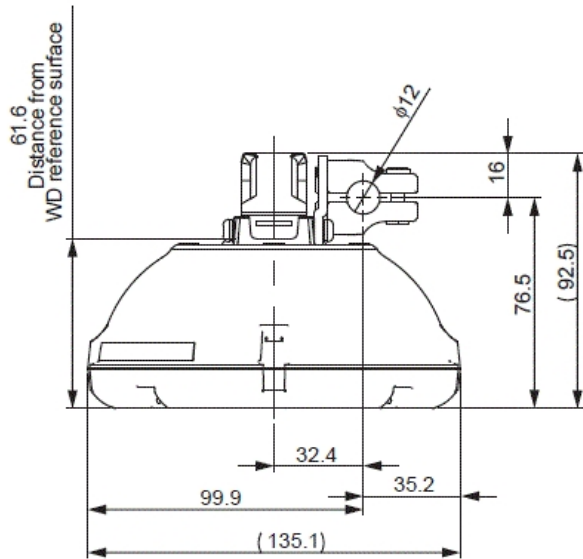
iv-g_hg_camera_gd10_op87909_dimension_01.gif

- Dome attachment for IV-HG series (IV-GD10) with Transverse mounting bracket for IV-HG series (OP-87909)

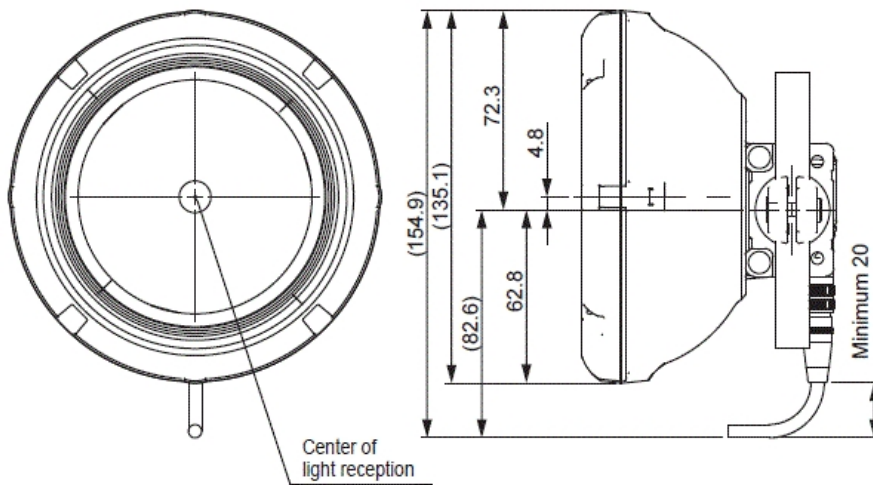


iv-g_hg_camera_gd10_op87910_dimension_01.gif

- Dome attachment for IV-HG series (IV-GD10) with Adjustable bracket for IV-HG series (OP-87910)

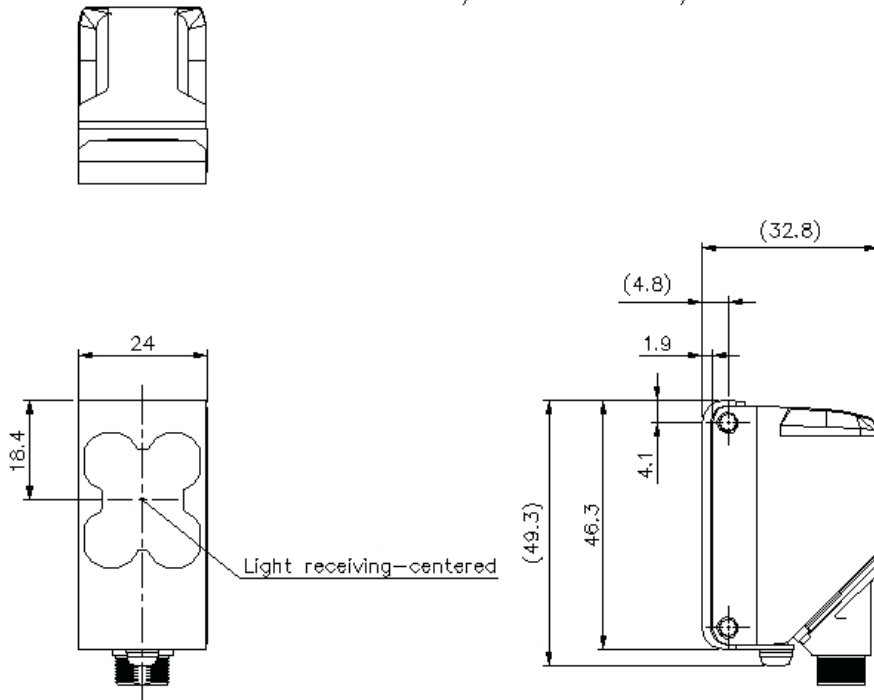


* Strut $\phi 12$ is not supplied with the OP-87910



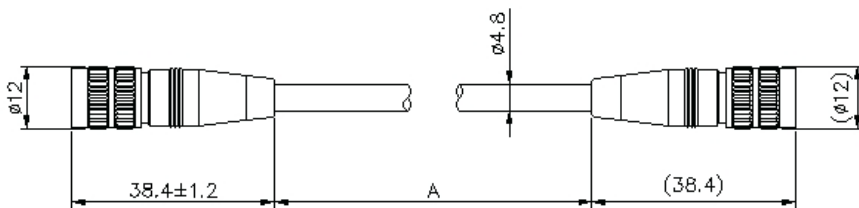
iv-g_hg_camera_op-87899-87901_dimension_01.gif

IV-G150MA/G300CA/G500CA/G500MA
 /G600MA/HG150MA/HG300CA/HG500CA
 /HG500MA/HG600MA/OP-87899/87900/87901



iv-g_hg_camera_op-87903-87905_dimension_01.gif

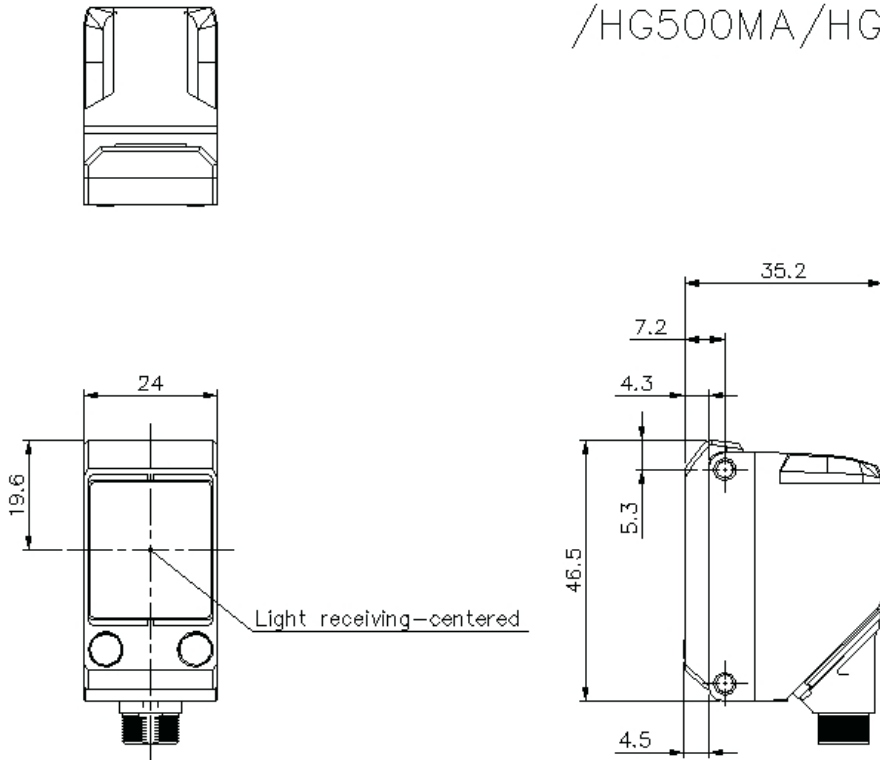
IV-G150MA/G300CA/G500CA/G500MA
 /G600MA/HG150MA/HG300CA/HG500CA
 /HG500MA/HG600MA/OP-87903/87904/87905



	A
OP-87903	2000
OP-87904	5000
OP-87905	10000

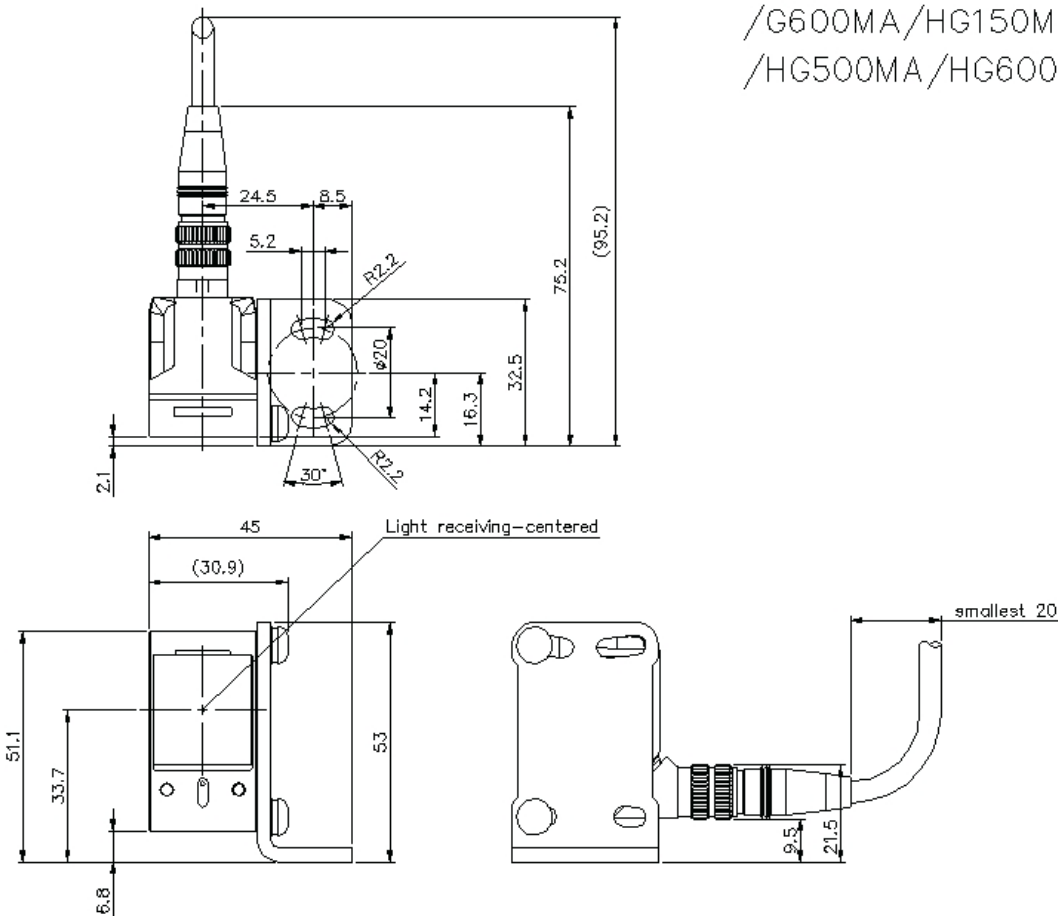
iv-g_hg_camera_op87902_dimension_01.gif

IV-G150MA/G300CA/G500CA/G500MA
 /G600MA/HG150MA/HG300CA/HG500CA
 /HG500MA/HG600MA/OP-87902



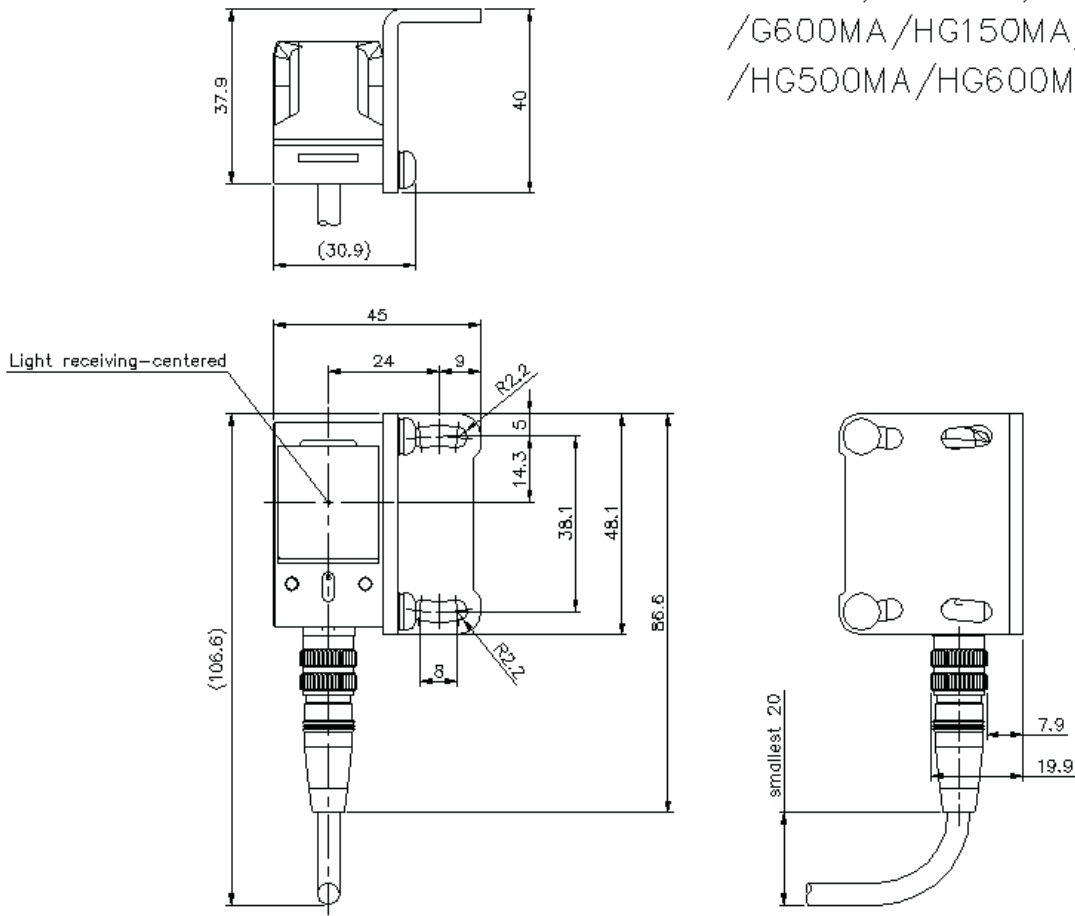
iv-g_hg_camera_op87908_dimension_01.gif

IV-G150MA/G300CA/G500CA/G500MA
 /G600MA/HG150MA/HG300CA/HG500CA
 /HG500MA/HG600MA/OP-87908



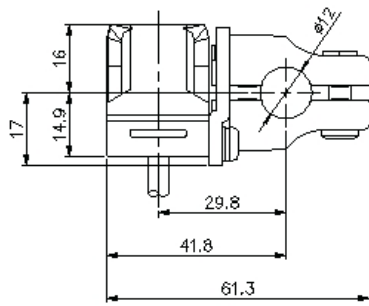
iv-g_hg_camera_op87909_dimension_01.gif

IV-G150MA/G300CA/G500CA/G500MA
 /G600MA/HG150MA/HG300CA/HG500CA
 /HG500MA/HG600MA/OP-87909

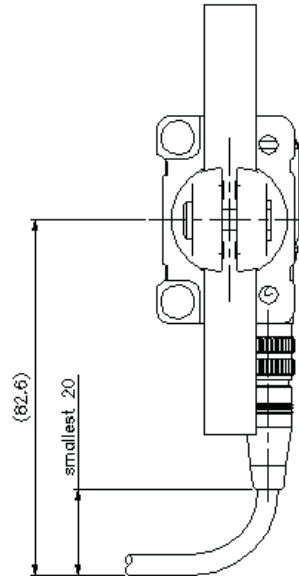
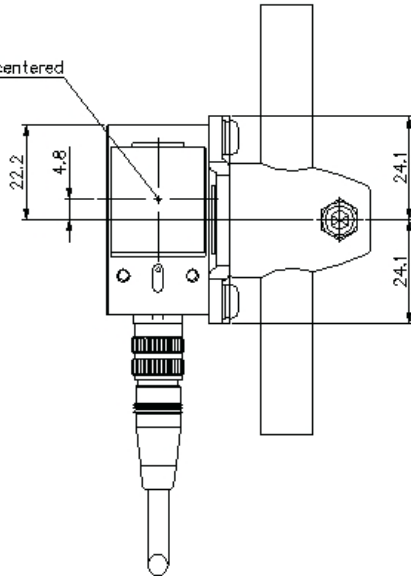


iv-g_hg_camera_op87910_dimension_01.gif

IV-G150MA/G300CA/G500CA/G500MA
 /G600MA/HG150MA/HG300CA/HG500CA
 /HG500MA/HG600MA/OP-87910



Light receiving-centered



A support pipe of $\phi 12$ is not included in OP-87910.