



IV-M30

Intelligent Monitor



SPECIFICATIONS

Model		IV-M30
Supported languages		Japanese/English/German/Simplified Chinese/Traditional Chinese
Display		3.5" TFT colour LCD 320 x 240 dot (QVGA)
Backlight	Method	White LED
	Duration	Approx 50,000 hours (25 °C)
Touch panel	Method	Analogue resistive
	Actuating force	0.8 N or less
Expanded memory		USB memory ^{*1}
Indicators		PWR, SENSOR
Ethernet	Standard	100BASE-TX/10BASE-T ^{*2}
	Connector	M12 4pin connector ^{*2}
Rating	Power voltage	24 VDC ±10 % (including ripple)
	Current consumption	0.2 A or less
Environmental resistance	Ambient temperature	0 to +50 °C (No freezing)
	Relative humidity	35 to 80 % RH (No condensation) ^{*3}
	Drop resistance	1.3 m over the concrete (2 times each in the arbitrary direction)
	Vibration resistance	10 to 55 Hz, Double amplitude 0.7 mm, 20 sweeps in each of the X, Y, and Z directions
Material		Polycarbonate
Weight		Approx. 180 g
^{*1} Use the KEYENCE recommended product. ^{*2} This is dedicated for connection with IV-series sensor. ^{*3} If the ambient temperature is over 40 °C, use it in the absolute humidity of 40 °C 80 % RH or lower.		

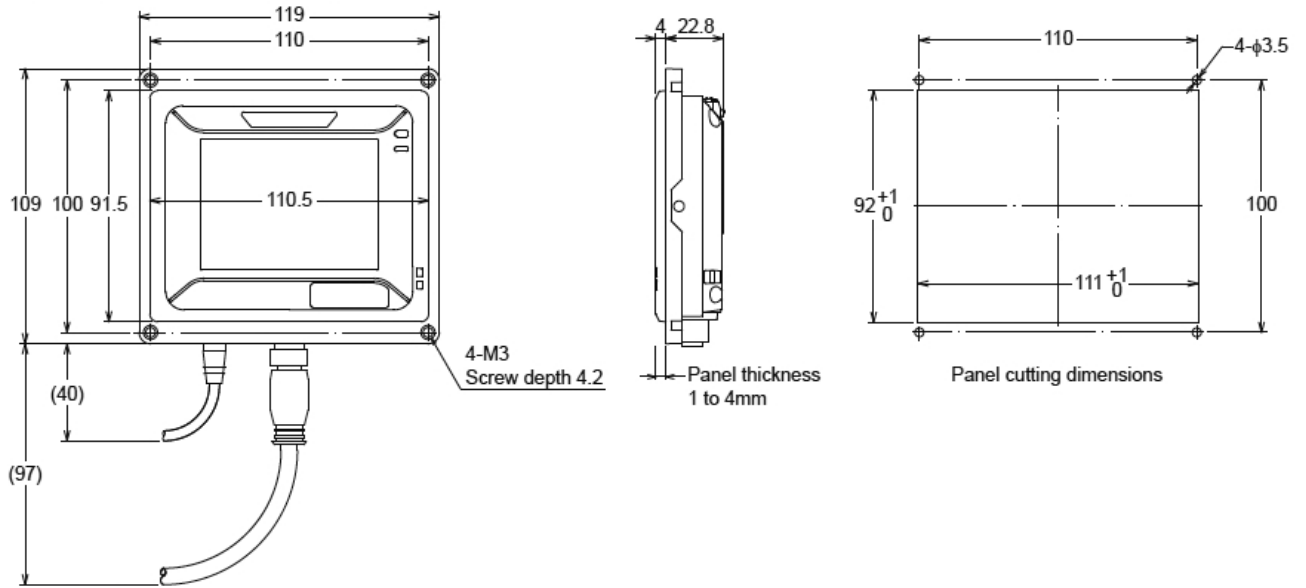
Dimensions

* Download CAD file or product manual for larger image/text and more detail.

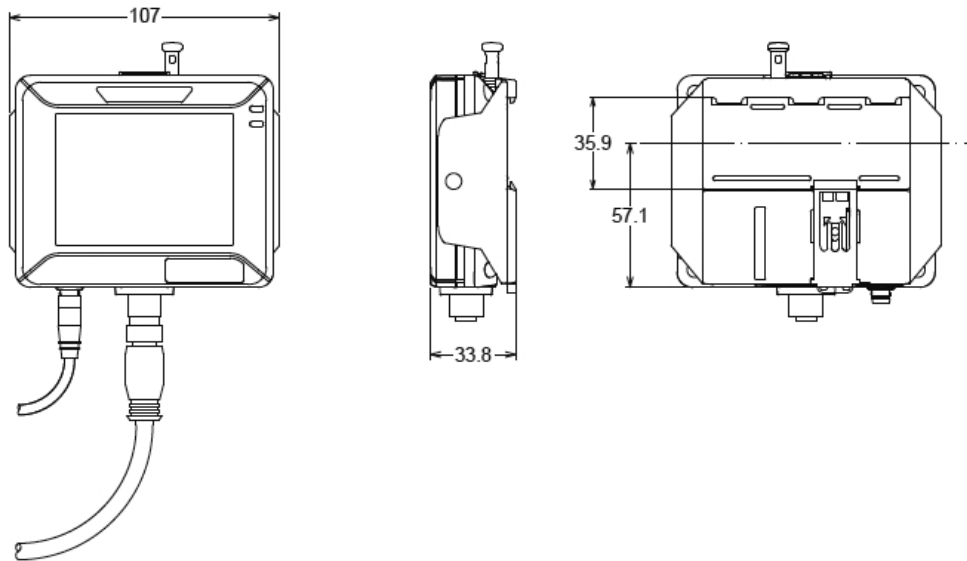
iv-m30_3_dimension_02.gif

IV-M30

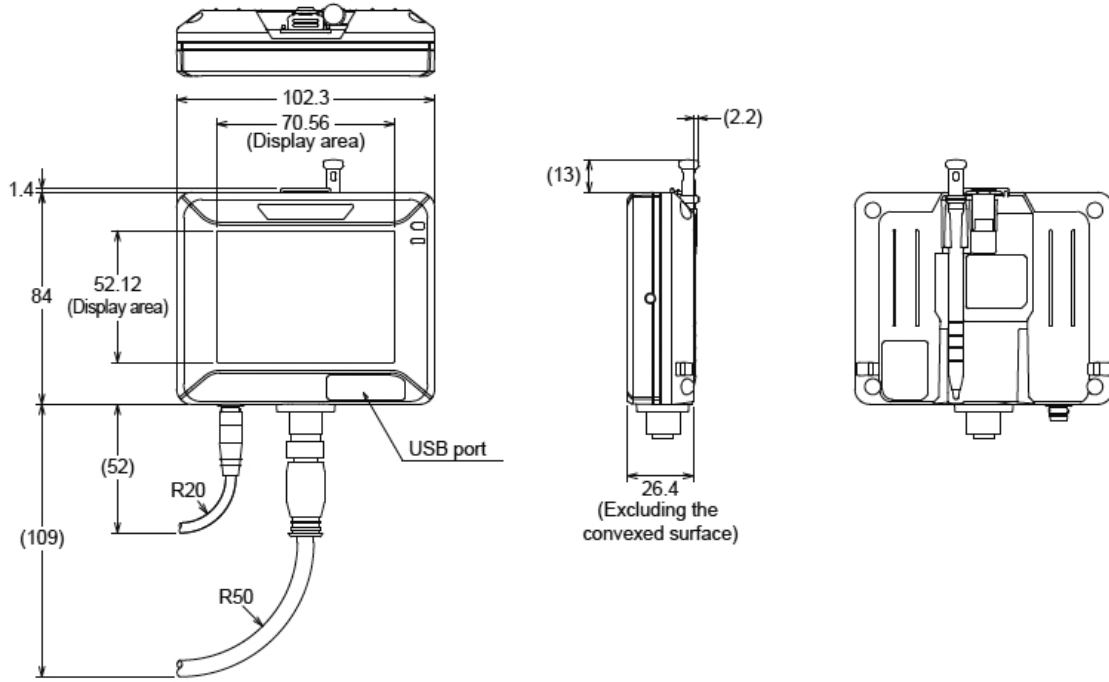
• Using the panel mounting adapter



• Using the DIN mounting adapter



iv-m30_3_dimension_01.gif



• Using the wall mounting adapter

