

## Place Holder Barrier KFD0-LGH

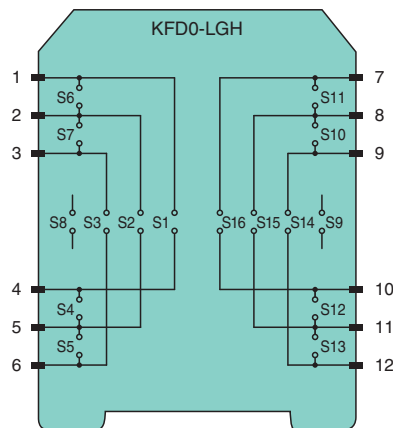
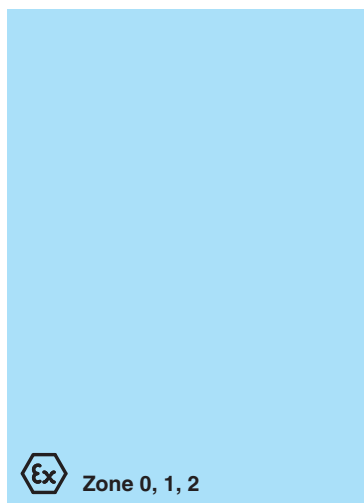
- IS K-System place holder module
- Housing width 20 mm
- Marshalling for field and control side circuits
- Configurable via plug-in jumpers

Place holder barrier for KF modules, intrinsically safe

### Function

The place holder barrier is a module for use in cable distribution. It improves accessibility and compactness within a control cabinet. Different configurations are possible by using wire jumpers. Intrinsically safe circuits can be connected to terminals 1, 2 and 3 or 4, 5 and 6. Terminals 1 to 6 are linked. Safe area circuits can be connected to terminals 7, 8 and 9 or 10, 11 and 12.

### Connection



Zone 2

### Technical Data

#### Electrical specifications

Rated voltage	$U_r$	$\leq 50$ V
Rated current	$I_r$	$\leq 2$ A

#### Indicators/settings

Configuration	via plug-in jumpers
Labeling	space for labeling at the front

#### Conformity

Degree of protection	IEC 60529
----------------------	-----------

#### Ambient conditions

Ambient temperature	-20 ... 60 °C (-4 ... 140 °F)
---------------------	-------------------------------

#### Mechanical specifications

Release date: 2020-04-30 Date of issue: 2020-04-30 Filename: 034343\_eng.pdf

Refer to "General Notes Relating to Pepperl+Fuchs Product Information".

## Technical Data

Degree of protection	IP20
Connection	screw terminals
Mass	approx. 120 g
Dimensions	20 x 93 x 115 mm (0.8 x 3.7 x 4.5 inch) , housing type B1
Mounting	on 35 mm DIN mounting rail acc. to EN 60715:2001
<b>Data for application in connection with hazardous areas</b>	
Certificate	PF 08 CERT 1214 X
Marking	Ⓜ II 3G Ex nA IIC T4 Gc
<b>Directive conformity</b>	
Directive 2014/34/EU	EN 60079-0:2012+A11:2013 , EN 60079-15:2010
<b>General information</b>	
Supplementary information	Observe the certificates, declarations of conformity, instruction manuals, and manuals where applicable. For information see <a href="http://www.pepperl-fuchs.com">www.pepperl-fuchs.com</a> .

## Assembly

### Front view

