



LV-H62

retro-reflective Sensor Head, Spot Type, Standard

**[Discontinued model]**

This model has been discontinued.

Compliance with the certification standard is ensured as of the time of shipment from our company.

Recommended Replaceable Products

- Sensor head, Spot Retro-Reflective, Small spot
LV-NH62

To contact us:

1-800-88-1358

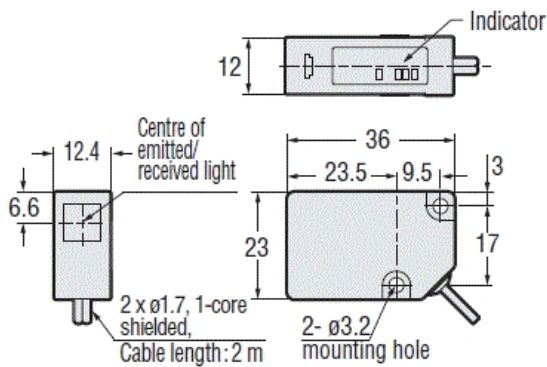
SPECIFICATIONS

Model	LV-H62	
Type	Small beam spot	
FDA (CDRH) Part 1040.10	Class II	
Light source	Visible red semiconductor laser	
Wavelength	660 nm	
Detecting distance	FINE	2 m
	TURBO	5 m
	SUPER	7 m
Environmental resistance	Ambient temperature	-10 to +55 °C (No freezing)
Material	Case	Glass reinforced plastic
	Lens cover	Transparent plastic ^{*1}
	Reflective mirror	Polycarbonate, acrylic
Weight	Approx. 45 g	
^{*1} Norbornene plastic or acrylic		

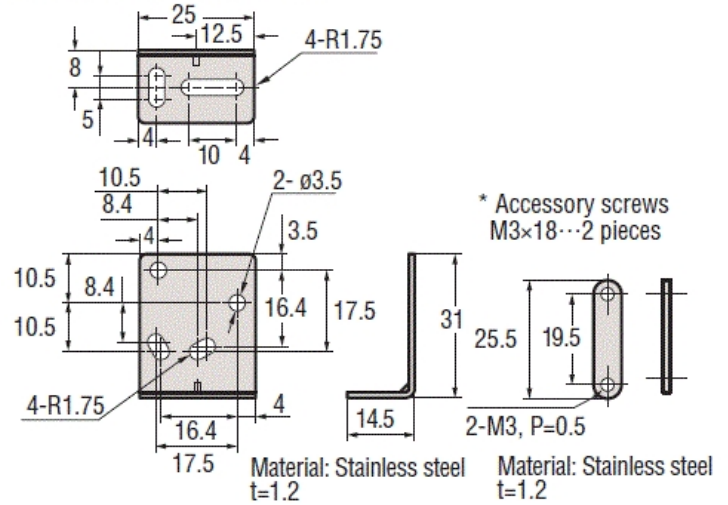
Dimensions

* Download CAD file or product manual for larger image/text and more detail.

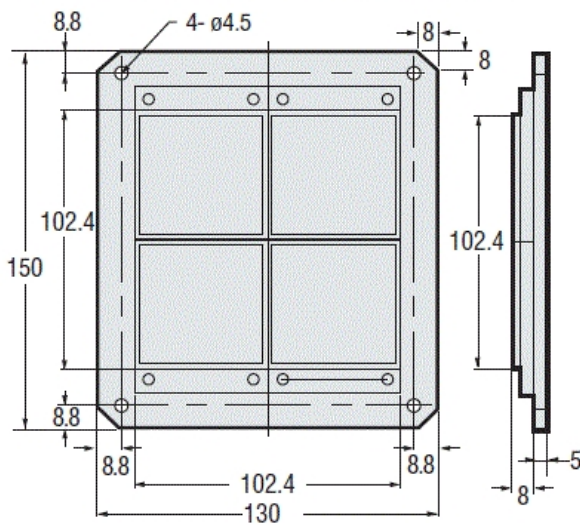
LV-H35/H62/H67



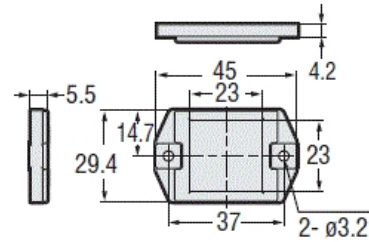
Mounting bracket (Accessory)



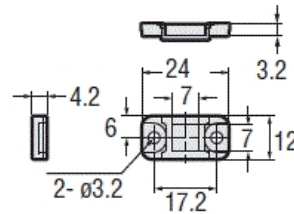
Long-distance reflector (optional) OP-42198



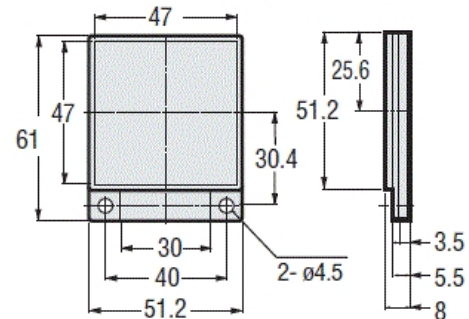
Reflector R-6 for LV-H62 (Accessory)



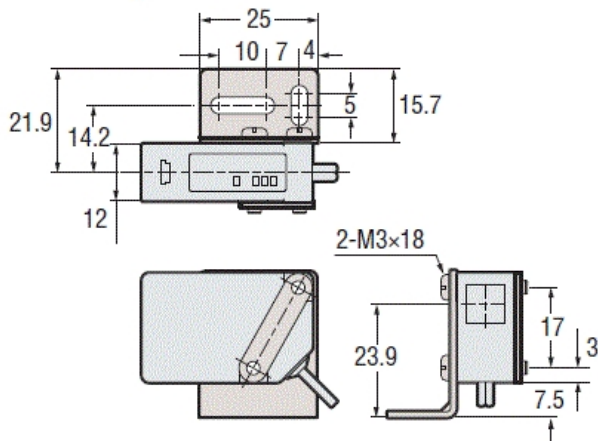
Reflector R-7 for LV-H62 (Accessory)



Reflector R-8 for LV-H67 (Accessory)



Mounting bracket attached



Characteristic

* Download CAD file or product manual for larger image/text and more detail.

Characteristics of detecting distance and spot diameter (typical example)