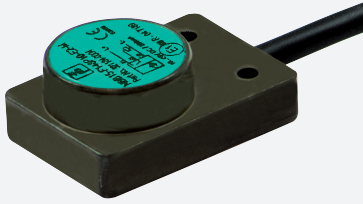


Inductive sensor

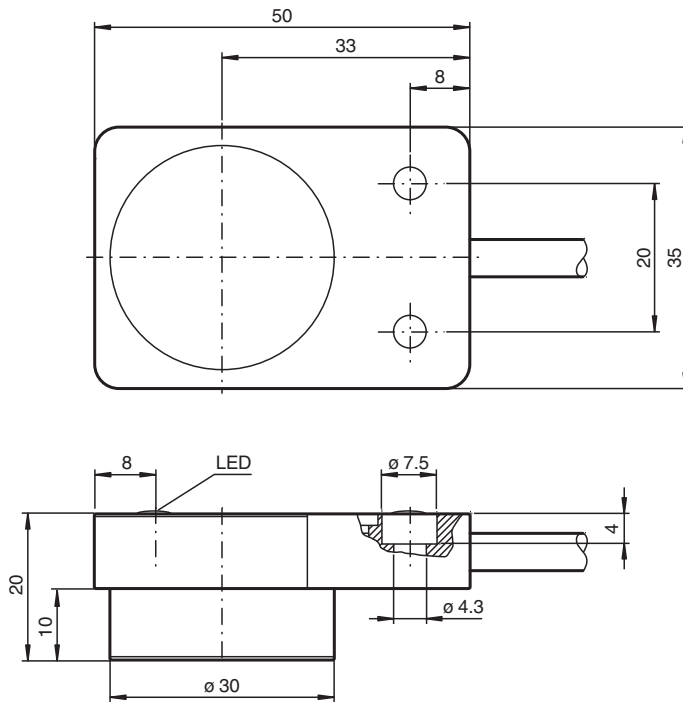
NBB15-F148P10-E2-M



- 15 mm flush
- 3-wire DC
- Extended temperature range
- E1-Type approval
- Highly shock and vibration resistant



Dimensions



Technical Data

General specifications

| | | |
|----------------------------|-------|--------------------|
| Switching function | | Normally open (NO) |
| Output type | | PNP |
| Rated operating distance | s_n | 15 mm |
| Installation | | flush |
| Output polarity | | DC |
| Assured operating distance | s_a | 0 ... 12.15 mm |
| Reduction factor r_{Al} | | 0.5 |
| Reduction factor r_{Cu} | | 0.45 |
| Reduction factor r_{304} | | 0.8 |

Release date: 2020-11-11 Date of issue: 2020-11-11 Filename: 321184-0004_eng.pdf

Refer to "General Notes Relating to Pepperl+Fuchs Product Information".

Pepperl+Fuchs Group
www.pepperl-fuchs.com

USA: +1 330 486 0001
fa-info@us.pepperl-fuchs.com

Germany: +49 621 776 1111
fa-info@de.pepperl-fuchs.com

Singapore: +65 6779 9091
fa-info@sg.pepperl-fuchs.com

PEPPERL+FUCHS

Technical Data

| | | |
|---|-------|---|
| Reduction factor r_{Brass} | | 0.55 |
| Output type | | 3-wire |
| Nominal ratings | | |
| Operating voltage | U_B | 10 ... 60 V DC |
| Switching frequency | f | 0 ... 600 Hz |
| Hysteresis | H | 2 ... 20 % (typ. 3 %) |
| Reverse polarity protection | | reverse polarity protected |
| Short-circuit protection | | pulsing |
| Voltage drop | U_d | ≤ 1.5 V |
| Operating current | I_L | 0 ... 200 mA |
| Off-state current | I_r | ≤ 10 μ A |
| No-load supply current | I_0 | ≤ 10 mA |
| Time delay before availability | t_v | ≤ 300 ms |
| Switching state indicator | | LED, yellow |
| Functional safety related parameters | | |
| MTTF _d | | 1156 a |
| Mission Time (T_M) | | 20 a |
| Diagnostic Coverage (DC) | | 0 % |
| Compliance with standards and directives | | |
| Standard conformity | | |
| Standards | | EN 60947-5-2:2007 EN 60947-5-2/A1:2012 IEC 60947-5-2:2007 IEC 60947-5-2 AMD 1:2012 |
| Approvals and certificates | | |
| E1 Type approval | | 10R-04 |
| Ambient conditions | | |
| Ambient temperature | | -40 ... 85 °C (-40 ... 185 °F) |
| Storage temperature | | -40 ... 85 °C (-40 ... 185 °F) |
| Mechanical specifications | | |
| Connection type | | cablE PUR , 2 m |
| Core cross-section | | 0.75 mm ² |
| Housing material | | anodized aluminum |
| Sensing face | | PBT |
| Degree of protection | | IP67 / IP69K |
| Cable | | |
| Cable diameter | | 6 mm \pm 0.2 mm |
| Bending radius | | > 6 x cable diameter |
| Tightening torque, housing screws | | ≤ 1.8 Nm |

Connection

