

Inductive sensor

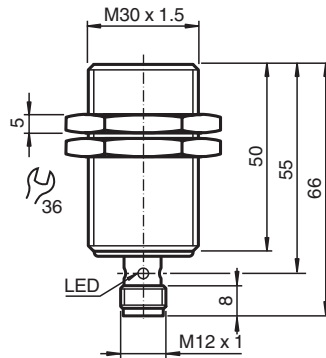
NJ10-30GM50-E2-V1-3G-3D



- 10 mm flush
- ATEX-approval for zone 2 and zone 22



Dimensions



Technical Data

General specifications

Switching function		Normally open (NO)
Output type		PNP
Rated operating distance	s_n	10 mm
Installation		flush
Output polarity		DC
Assured operating distance	s_a	0 ... 8.1 mm
Actual operating distance	s_r	9 ... 11 mm typ. 10 mm
Reduction factor r_{Al}		0.32
Reduction factor r_{Cu}		0.3
Reduction factor r_{304}		0.66
Reduction factor r_{Brass}		0.4
Output type		3-wire

Nominal ratings

Operating voltage	U_B	10 ... 30 V DC
Switching frequency	f	0 ... 1300 Hz

Release date: 2020-03-25 Date of issue: 2020-03-30 Filename: 310834_eng.pdf

Refer to "General Notes Relating to Pepperl+Fuchs Product Information".

Pepperl+Fuchs Group
www.pepperl-fuchs.com

USA: +1 330 486 0001
fa-info@us.pepperl-fuchs.com

Germany: +49 621 776 1111
fa-info@de.pepperl-fuchs.com

Singapore: +65 6779 9091
fa-info@sg.pepperl-fuchs.com

PF PEPPERL+FUCHS

Technical Data

Hysteresis	H	3 ... 15 typ. 6 %
Reverse polarity protection		reverse polarity protected
Short-circuit protection		pulsing
Voltage drop	U_d	≤ 3 V
Voltage drop at I_L		
Voltage drop $I_L = 200$ mA, switching element on	U_d	1 ... 2 V typ. 1.5 V
Operating current	I_L	≤ 200 mA
Off-state current	I_r	0 ... 0.5 mA typ. 0.01 mA
No-load supply current	I_0	≤ 15 mA
Time delay before availability	t_v	≤ 100 ms
Switching state indicator		LED, yellow
Compliance with standards and directives		
Standard conformity		
Standards		EN 60947-5-2:2007 EN 60947-5-2/A1:2012 IEC 60947-5-2:2007 IEC 60947-5-2 AMD 1:2012
Approvals and certificates		
UL approval		cULus Listed, General Purpose, Class 2 Power Source
CCC approval		CCC approval / marking not required for products rated ≤ 36 V
Ambient conditions		
Ambient temperature		-25 ... 70 °C (-13 ... 158 °F)
Storage temperature		-40 ... 85 °C (-40 ... 185 °F)
Mechanical specifications		
Connection type		Connector plug M12 x 1, 4-pin
Housing material		Stainless steel 1.4305 / AISI 303
Sensing face		PBT
Degree of protection		IP66 / IP67
Data for application in connection with hazardous areas		
Equipment protection level		Gc (nA), Dc
Equipment protection level Gc (nA)		
Type of protection		"n"
CE marking		[*PD-Z02586A*]
Certificates		
ATEX certificate		PF15CERT3754X
ATEX marking		Ⓔ II 3G Ex nA IIC T6 Gc
Standards		EN 60079-0:2012+A11:2013, EN 60079-15:2010
Surge protection		The protection against transient overvoltage with amplitude U is realized. $U = 500$ V at 1.2/50 μ s, 500 Ω
Possible characteristics		maximum operating voltage U_{Bmax} , maximum load current I_{Lmax} , minimum series resistance R_V , maximum analog output voltage U_{Amax} , maximum analog output current I_{Amax}
Maximum permissible ambient temperature	T_{amb}	Also observe the maximum permissible ambient temperature stated in the general technical data. Keep to the lower of the two values. at $U_{Bmax} = 30$ V, $I_L = 200$ mA : 57 °C (134.6 °F) at $U_{Bmax} = 30$ V, $I_L = 100$ mA : 60 °C (140 °F) at $U_{Bmax} = 30$ V, $I_L = 50$ mA : 60 °C (140 °F)
Equipment protection level Dc		
Type of protection		Protection by enclosure "tc"
CE marking		[*PD-Z02586A*]
Certificates		
ATEX certificate		PF15CERT3774X
ATEX marking		Ⓔ II 3D Ex tc IIIC T80°C Dc
Standards		EN 60079-0:2012+A11:2013, EN 60079-31:2014

Release date: 2020-03-25 Date of issue: 2020-03-30 Filename: 310834_eng.pdf

Refer to "General Notes Relating to Pepperl+Fuchs Product Information".

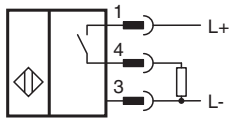
Pepperl+Fuchs Group
www.pepperl-fuchs.comUSA: +1 330 486 0001
fa-info@us.pepperl-fuchs.comGermany: +49 621 776 1111
fa-info@de.pepperl-fuchs.comSingapore: +65 6779 9091
fa-info@sg.pepperl-fuchs.com

PEPPERL+FUCHS

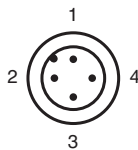
Technical Data

Possible characteristics		maximum operating voltage U_{Bmax} , maximum load current I_{Lmax} , minimum series resistance R_V , maximum analog output current I_{Amax} , maximum analog output voltage U_{Amax}
Maximum permissible ambient temperature	T_{amb}	Also observe the maximum permissible ambient temperature stated in the general technical data. Keep to the lower of the two values. at $U_{Bmax} = 30\text{ V}$, $I_L = 200\text{ mA}$: 57 °C (134.6 °F) at $U_{Bmax} = 30\text{ V}$, $I_L = 100\text{ mA}$: 60 °C (140 °F) at $U_{Bmax} = 30\text{ V}$, $I_L = 50\text{ mA}$: 60 °C (140 °F)
General information		
Scope of delivery		2 self locking nuts in scope of delivery
Use in the hazardous area		see instruction manuals

Connection





Connection Assignment



Wire colors in accordance with EN 60947-5-2

1	BN	(brown)
2	WH	(white)
3	BU	(blue)
4	BK	(black)

Accessories

	BF 30	Mounting flange, 30 mm
	EXG-30	Quick mounting bracket with dead stop

Release date: 2020-03-25 Date of issue: 2020-03-30 Filename: 310834_eng.pdf