

Neo-Dyn® Series 130P Pressure Switch/Tamper Resistant

Compact, versatile pressure switch well suited for hazardous or corrosive atmospheres. For low to mid-range pressure applications. Features efficient Nega-Rate® Belleville disc spring for superior set point stability and is field adjustable using 1/8" allen wrench through the port. Once adjustments are made and the switch is installed, it becomes tamper proof.

Operating Pressure Data

Adjustable Range Number	Adjustable Set Point Range		Deadband (approximate)	Maximum Recommended System Pressure	Proof Pressure
	Increasing	Decreasing			
1	2 to 12	1 to 11	1	600	1000
2	10 to 30	7 to 27	3	600	1000
3	30 to 50	25 to 45	5	600	1000
4	50 to 70	44 to 64	6	600	1000
5	70 to 120	60 to 110	10	600	1000
6	120 to 170	105 to 155	15	600	1000

All values given in psig.

Standard Specifications

Electrical

Snap action electrical switch assemblies, Part Numbers 057-0770 & 057-0772 (Form C) and 057-0771 & 057-0773 (Form CC), are listed by Underwriters' Laboratories, Inc., FM Approvals, CSA International and NCC (INMETRO). See the miscellaneous option N for additional listings.

Electrical Connection

1/2 NPT male conduit connection with PVC insulated 18 AWG, 18" long leads

Pressure Connection

1/4 NPT Male

Temperature Range*

Ambient: -40°F to +180°F
(-40°C to +82°C)

Media: -40°F to +300°F
(-40°C to +149°C)

*Temperature limits change with O-Ring selection. See Electrical Assembly specification sheet for Temperature Class Ratings.

Adjustment

1/8" allen wrench through port

Shipping Weight

Approximately 16 ounces



Order Miscellaneous Option "D"



Explosion Proof
Hermetically Sealed
(NEMA 4X, 7, 9 and 13)

Ordering Sequence — Select desired option for each category

OPTIONS

Wetted Material

- 1 Aluminum port, Teflon coated polyimide diaphragm, Buna-N O-Ring
- 4 316 stainless steel port, Teflon coated polyimide diaphragm, Buna-N O-Ring

Adjustable Range

- 1 1 psig dec. to 12 psig inc. (0.1 bar dec. to 0.8 bar inc.)
- 2 7 psig dec. to 30 psig inc. (0.5 bar dec. to 2.1 bar inc.)
- 3 25 psig dec. to 50 psig inc. (1.7 bar dec. to 3.4 bar inc.)
- 4 44 psig dec. to 70 psig inc. (3.0 bar dec. to 4.8 bar inc.)
- 5 60 psig dec. to 120 psig inc. (4.1 bar dec. to 8.3 bar inc.)
- 6 105 psig dec. to 170 psig inc. (7.2 bar dec. to 11.7 bar inc.)

Electrical Form

- C 11 amp, 1/4 hp at 125 or 250 VAC; 5 amp resistive, 3 amp inductive at 28 VDC; .5 amp resistive at 125 VDC
- CC 11 amp, 1/4 hp at 125 or 250 VAC; 5 amp resistive, 3 amp inductive at 28 VDC; .5 amp resistive at 125 VDC

Enclosure

- 6 Includes an explosion proof, hermetically-sealed electrical assembly. EX d IIC. Division 1 and 2, Class I, Groups A, B, C, and D; Class II, Groups E, F, and G. NEMA 4X, 7, and 9; IP66. Leads are factory sealed and Pressure Switches are Dual Seal Certified.

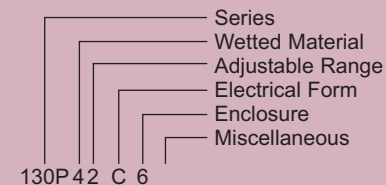
Miscellaneous

- A Epoxy paint exterior — extra protection for severe environments
- B Viton O-Ring
- C EPR O-Ring
- D SIL approval and marking, per IEC61508 (includes FMEA report)
- H 316 Stainless steel body
- I 3/4 NPT conduit box with terminal strip (Groups C & D only, not available with N option)
- M Gold electrical contacts for extremely low current applications (1 Amp at 125 VAC; 1 Amp Res, 0.5 Amp Ind. at 28 VDC)
- N ATEX and IECEx with CE Mark
- R 72" Electrical free leads
- S Stainless steel diaphragm — (Wetted Material 4 only)

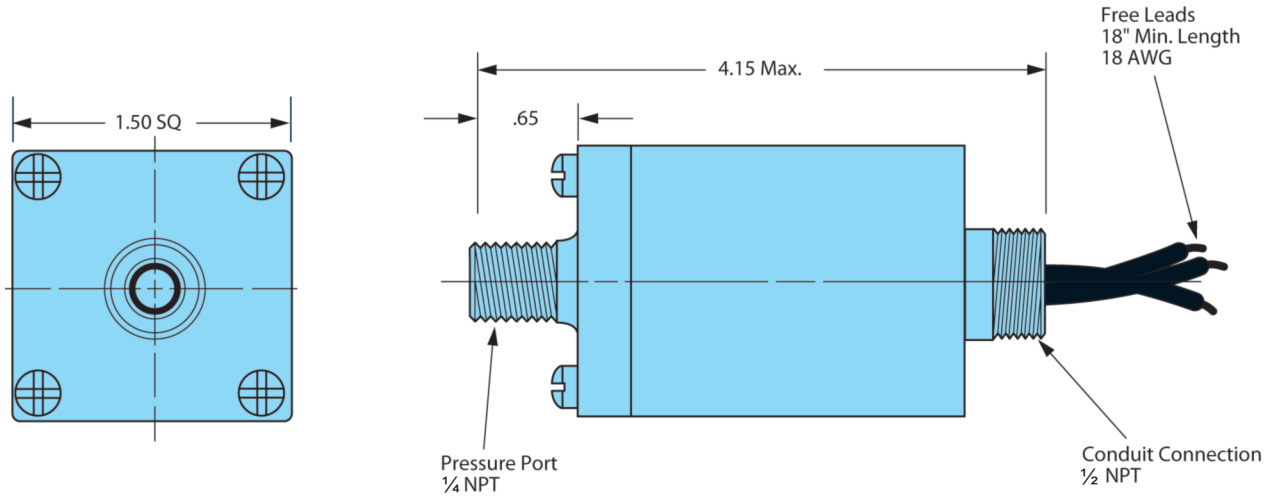
Ordering Procedure

- When factory presetting is desired, stipulate set point, increasing or decreasing
- Insert available option number or letter designation as required

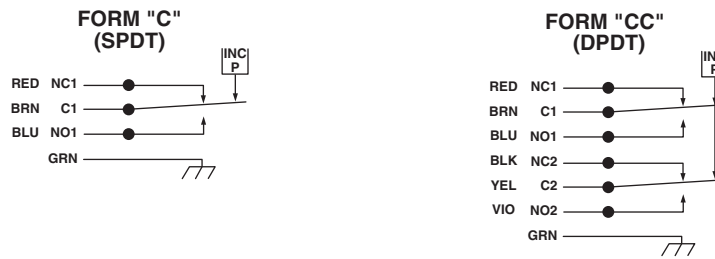
Example



Envelope Dimensions



Electrical Form



Basic Principles of Design

