



OP-87909

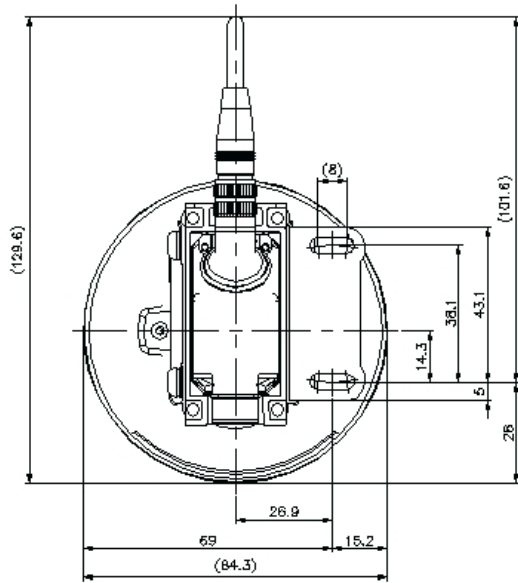
Rear mounting bracket

**SPECIFICATIONS**

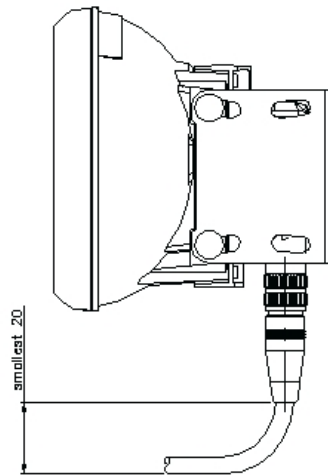
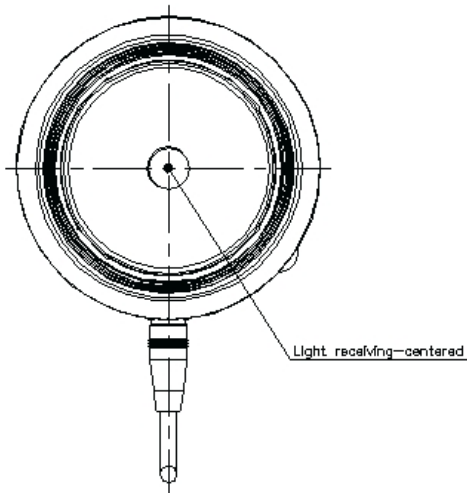
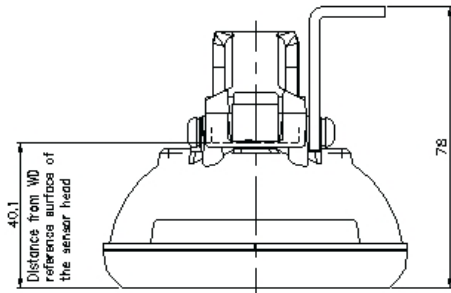
Model	OP-87909
Type	Rear mounting bracket
Weight	Approx. 20 g

Dimensions

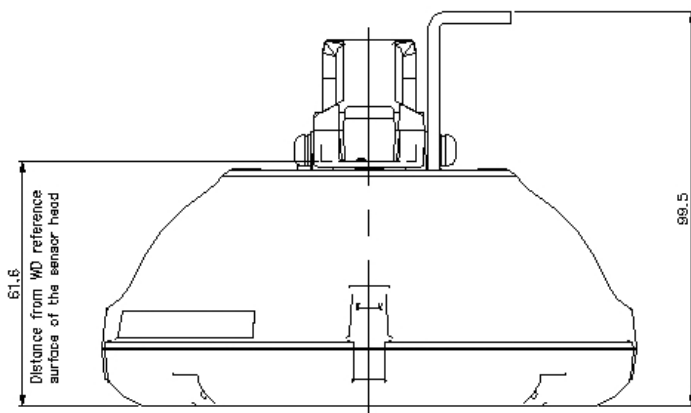
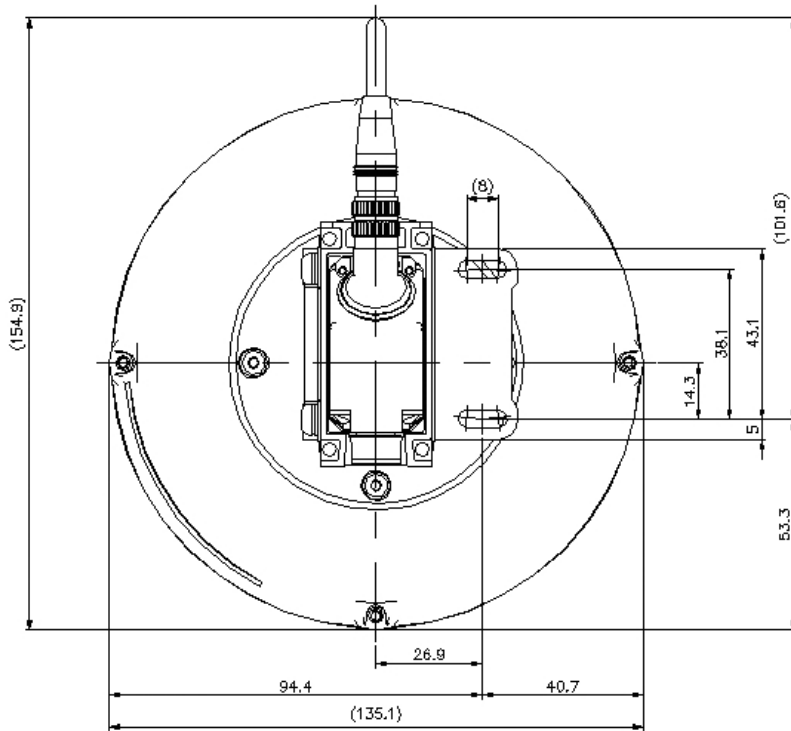
\* Download CAD file or product manual for larger image/text and more detail.

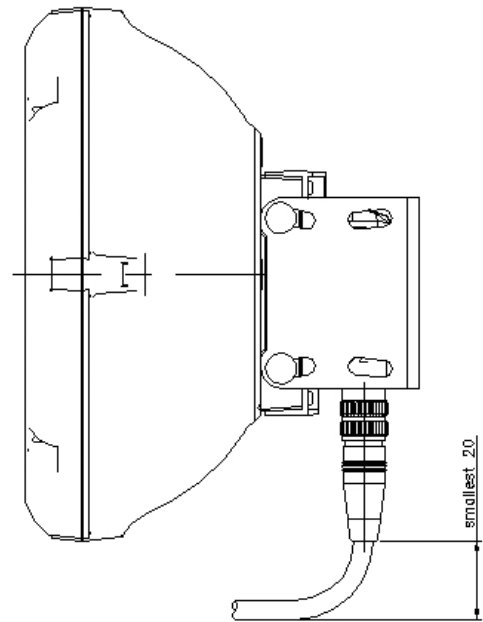
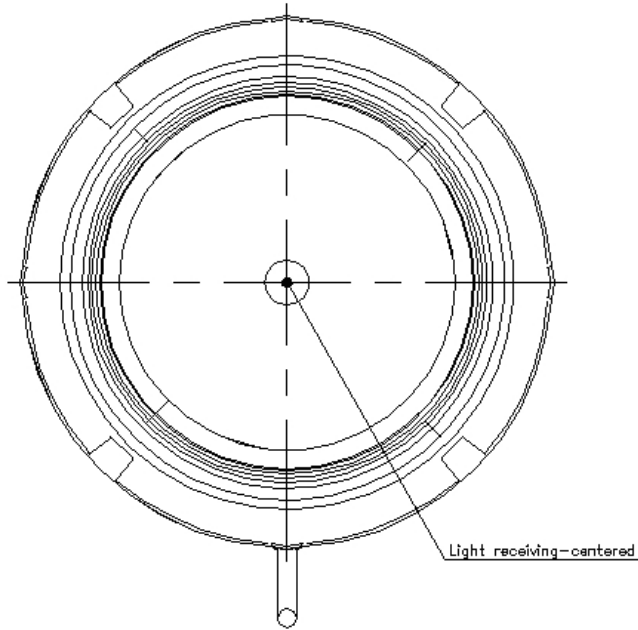


IV2-G150MA/G300CA/G500CA  
/G500MA/G600MA/GD05/OP-87909

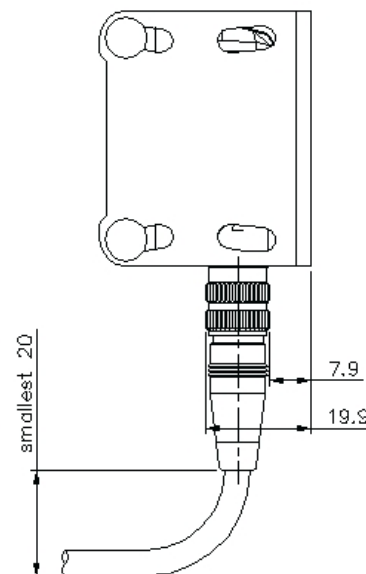
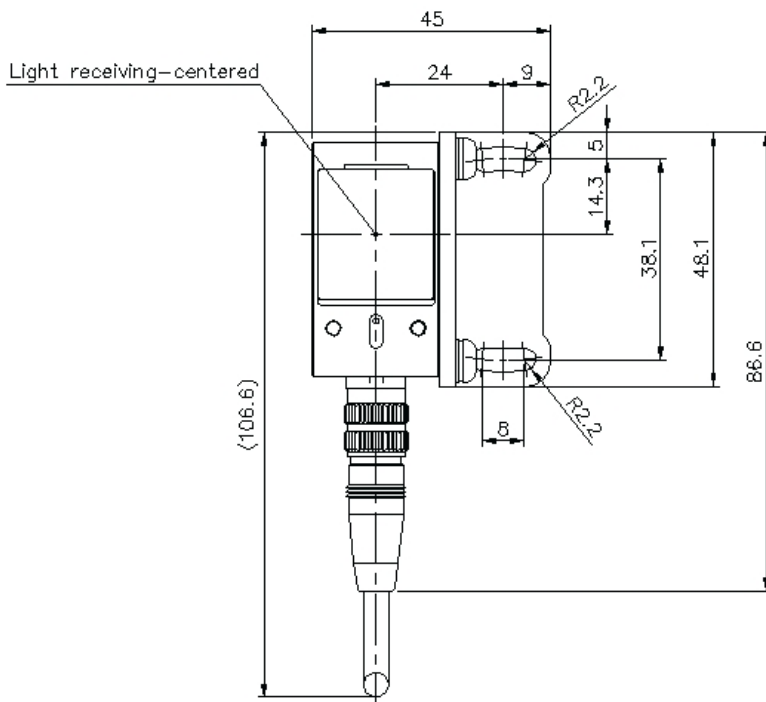
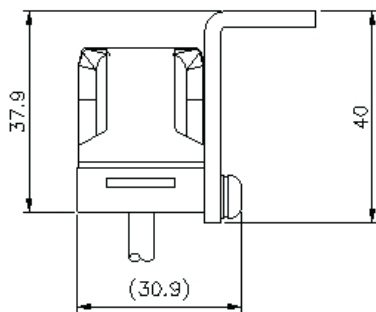


IV2-G150MA/G300CA/G500CA  
/G500MA/G600MA/GD10/OP-87909



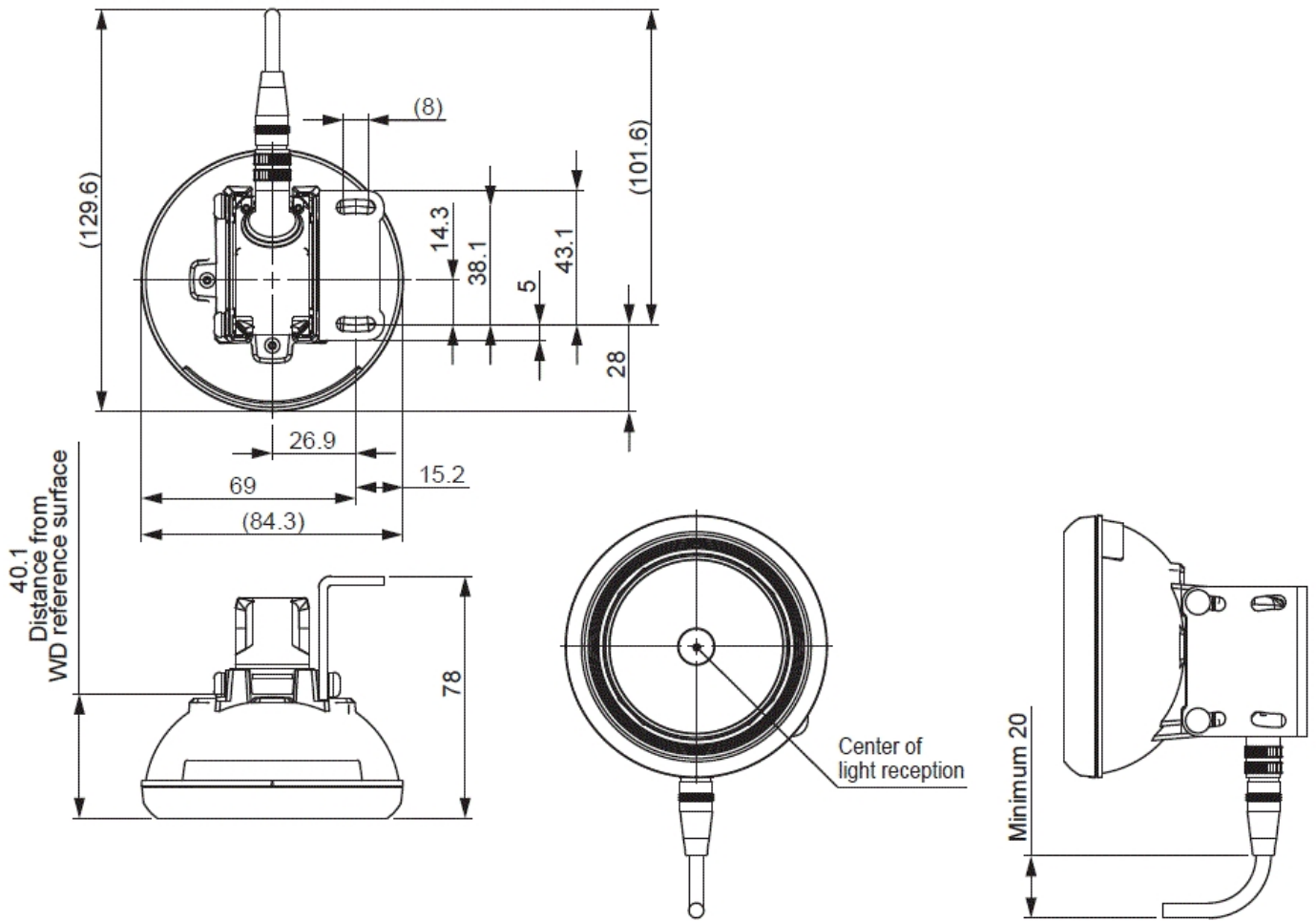


IV2-G150MA/G300CA/G500CA  
/G500MA/G600MA/OP-87909



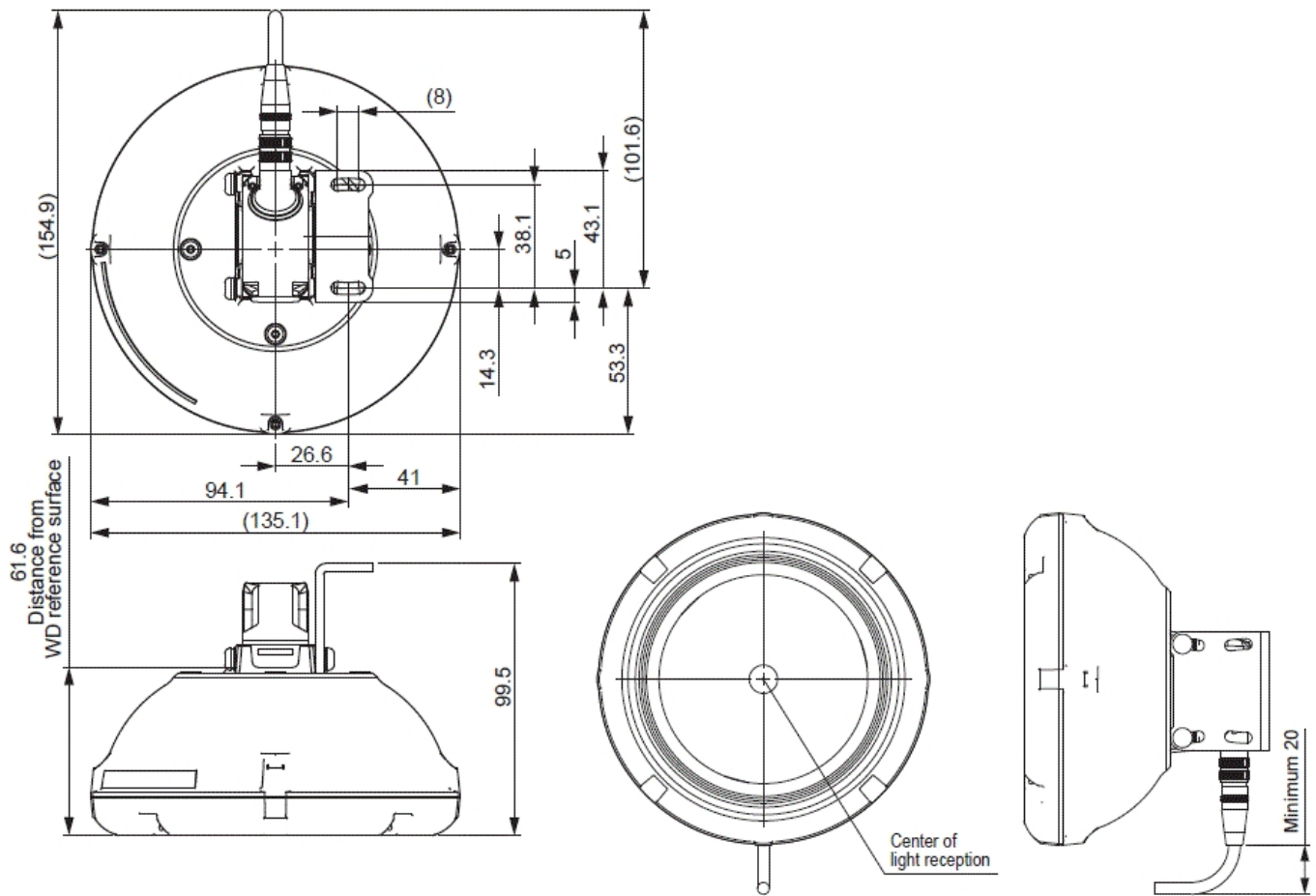
IV-G\_CAMERA\_GD05\_OP-87909\_dimension\_01.gif

- Dome attachment for IV-G series (IV-GD05)  
with Transverse mounting bracket for IV-G series (OP-87909)



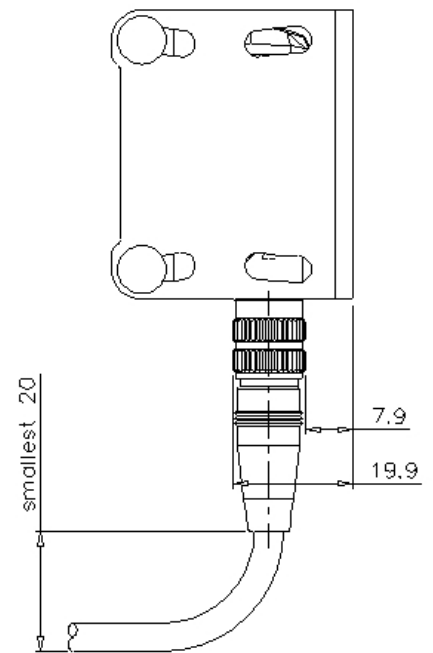
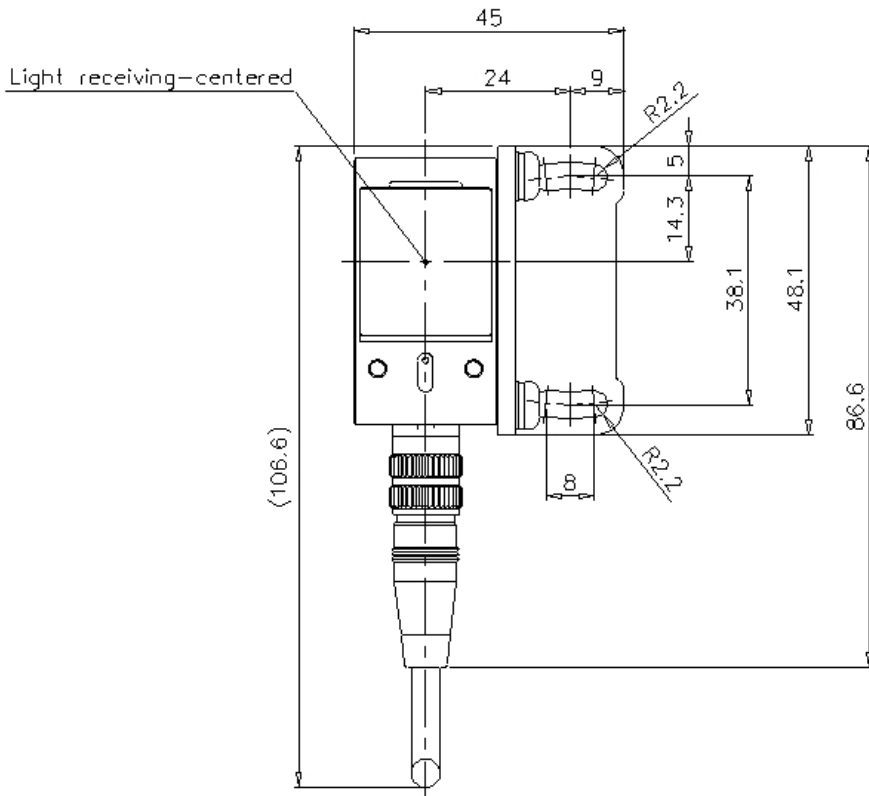
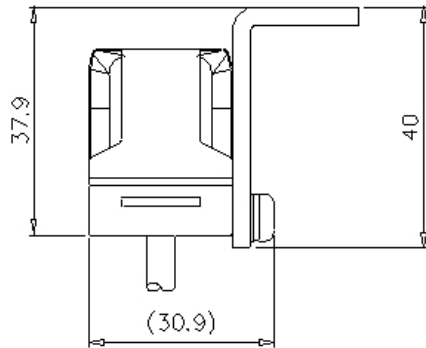
IV-G\_CAMERA\_GD10\_OP-87909\_dimension\_01.gif

- Dome attachment for IV-G series (IV-GD10) with  
Transverse mounting bracket for IV-G series (OP-87909)



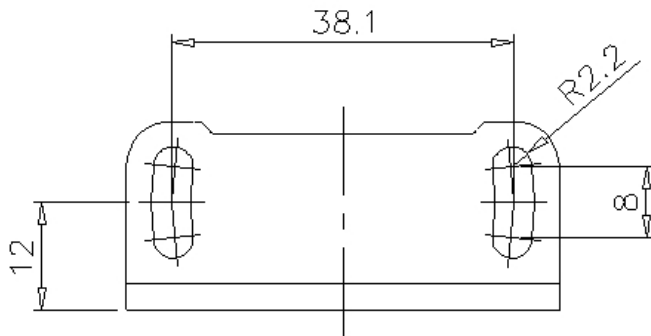
IV-G\_CAMERA\_OP-87909\_dimension\_01.gif

IV-G\_CAMERA\_OP-87909

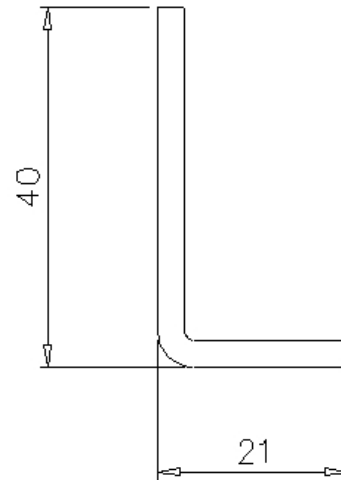
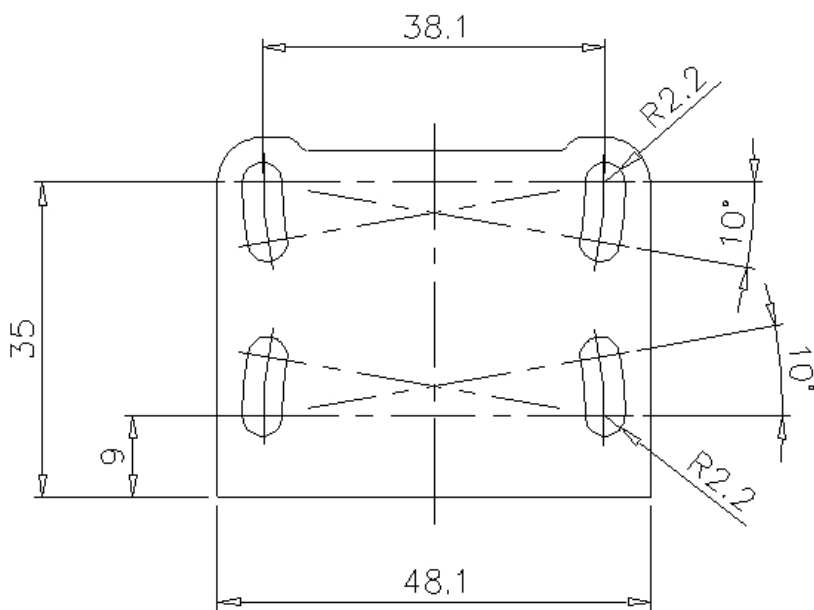


OP-87909\_dimension\_01.gif

OP-87909

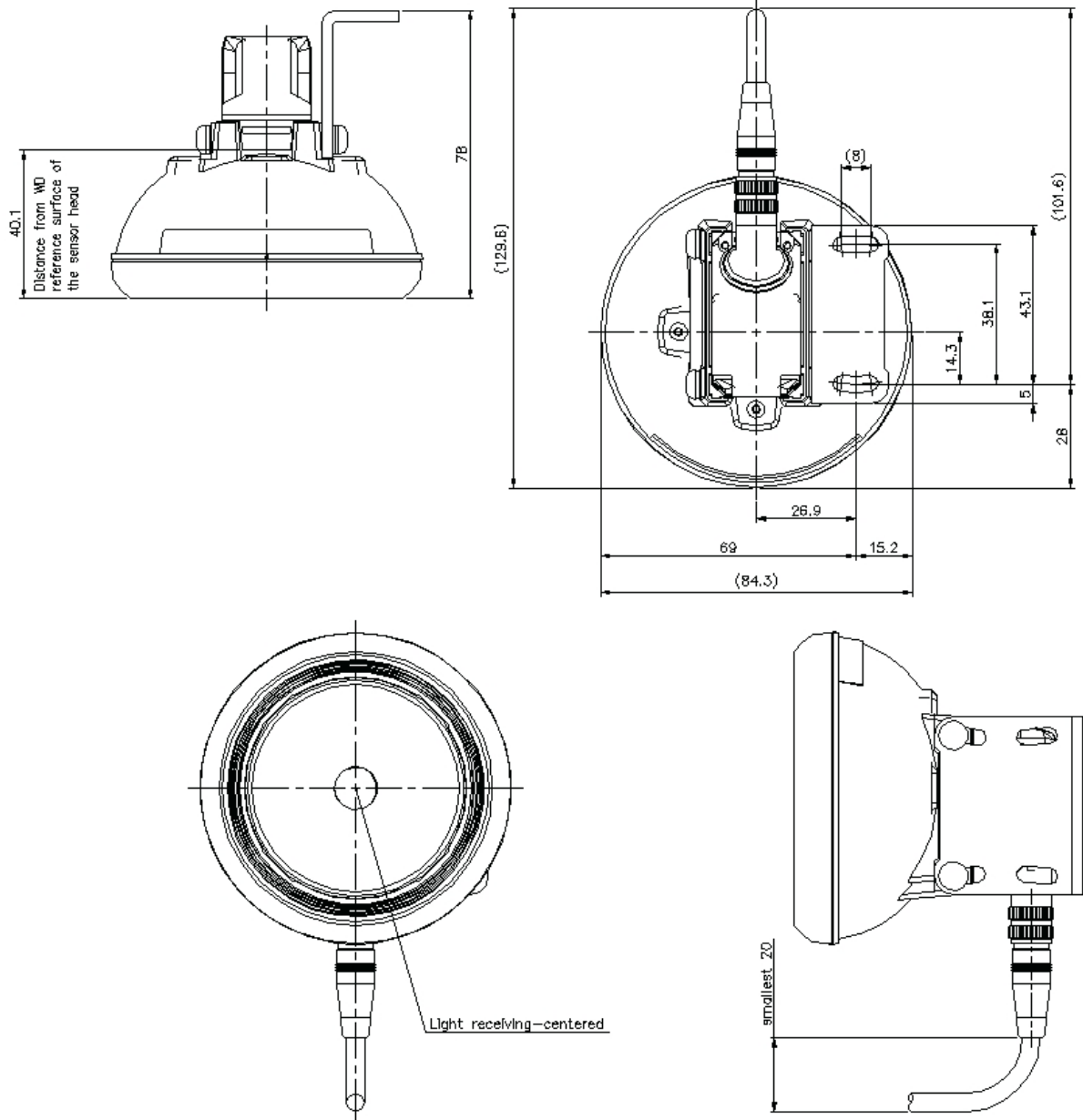


Material: A5052  
t=3.0



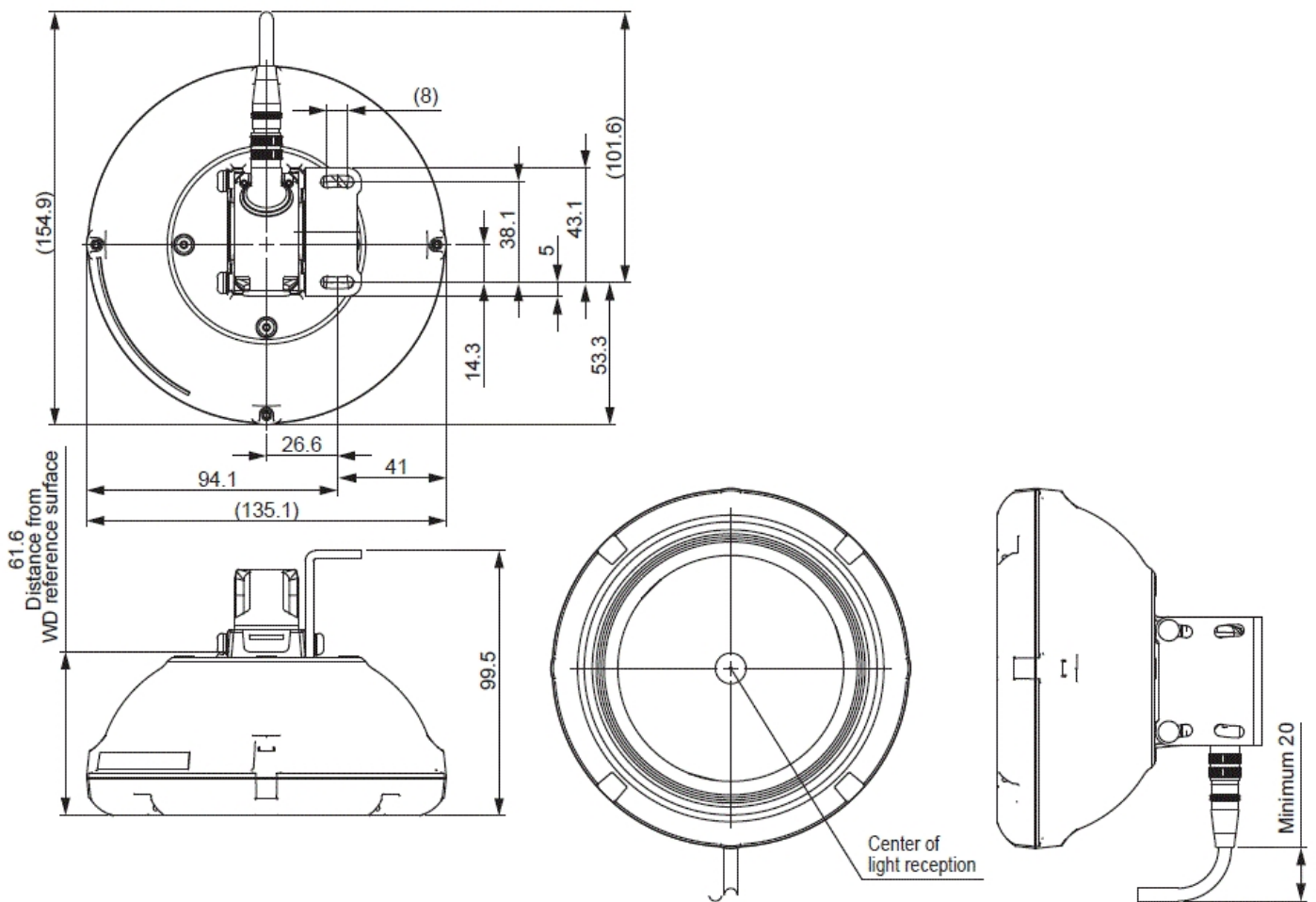
iv-g\_hg\_camera\_gd05\_op87909\_dimension\_01.gif

IV-G150MA/G300CA/G500CA/G500MA  
 /G600MA/HG150MA/HG300CA/HG500CA  
 /HG500MA/HG600MA/GD05/OP-87909



iv-g\_hg\_camera\_gd10\_op87909\_dimension\_01.gif

- Dome attachment for IV-HG series (IV-GD10) with Transverse mounting bracket for IV-HG series (OP-87909)



iv-g\_hg\_camera\_op87909\_dimension\_01.gif

IV-G150MA/G300CA/G500CA/G500MA  
 /G600MA/HG150MA/HG300CA/HG500CA  
 /HG500MA/HG600MA/OP-87909

