



## OP-88026

Sensor-to-controller cable for 4-pin M12 connector type, straight, 10m

**SPECIFICATIONS**

Model	OP-88026 <sup>*1</sup>
end_of_cable	Sensor side: M12 4-pin straight, Controller side: Connector
Length	10 m
Material	PVC (Polyvinyl chloride)
Weight	Approx. 280 g

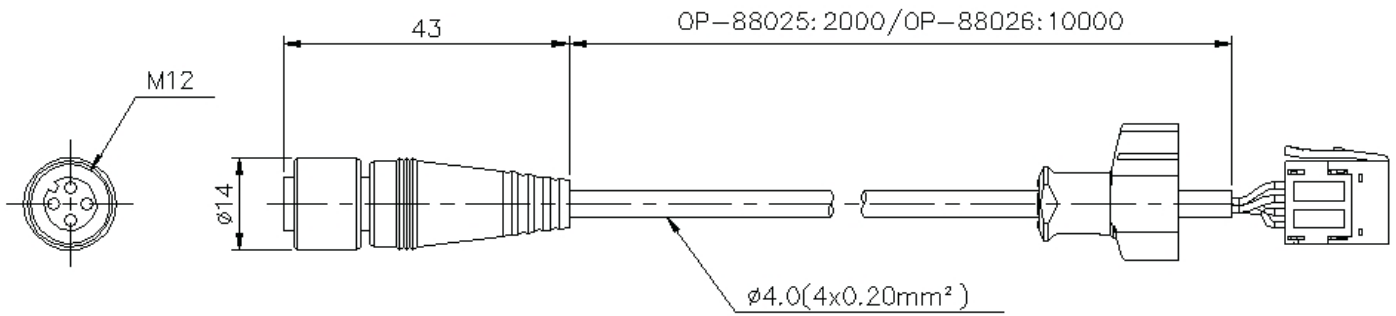
<sup>\*1</sup> The 10 m cable includes one spare connector for the controller side.

Dimensions

\* Download CAD file or product manual for larger image/text and more detail.

op-88025\_88026\_dimension\_01.gif

OP-88025/OP-88026



X  
M12 Connector pin layout



X	Y	Colour
①	①	Brown
②	②	White
③	③	Blue
④	④	Black

Y  
Connector pin layout

