



OP-88028

Sensor-to-controller cable for 4-pin M12 connector type, L-shape, 10m

SPECIFICATIONS

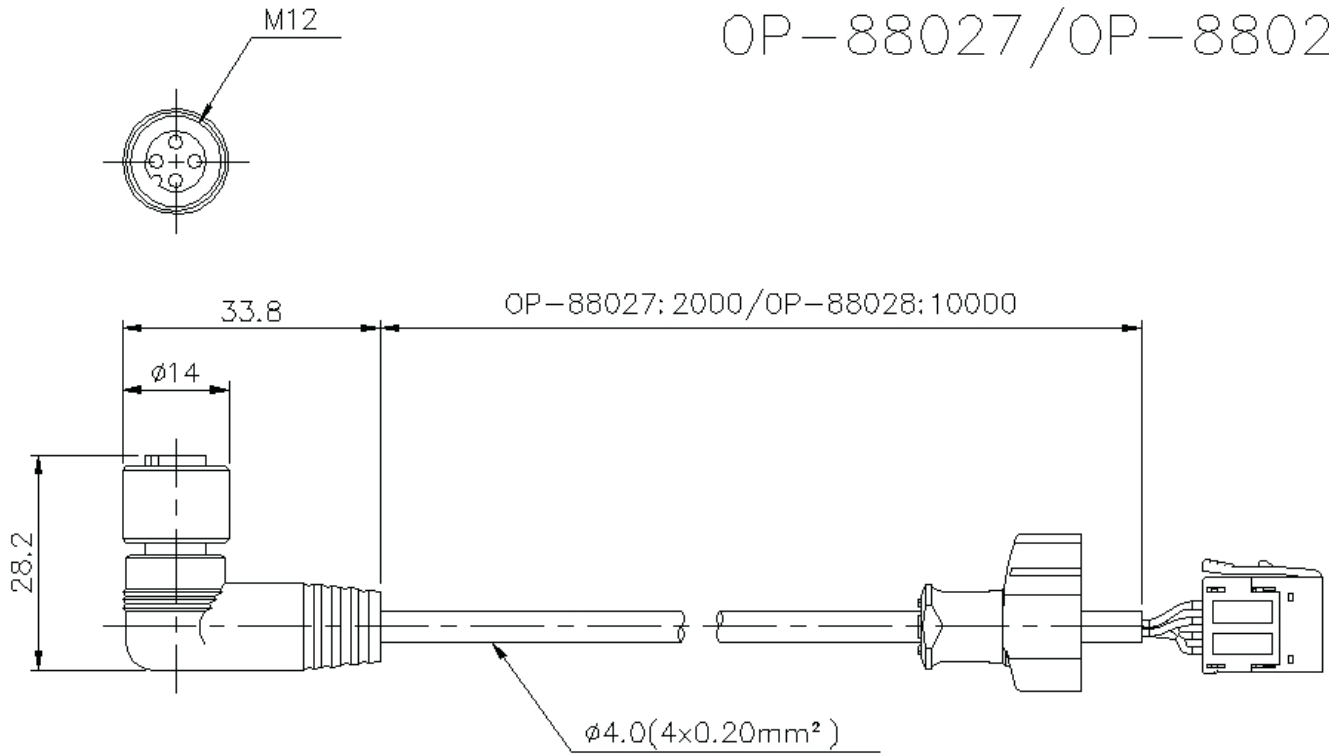
Model	OP-88028 ^{*1}
Cable end	Sensor side: M12 4-pin L-shape, Controller side: Connector
Length	10 m 32.81'
Material	PVC (Polyvinyl chloride)
Weight	Approx. 280 g
^{*1} The 10 m 32.81' cable includes one spare connector for the controller side.	

Dimensions

* Download CAD file or product manual for larger image/text and more detail.

op-88027_88028_dimension_01.gif

OP-88027/OP-88028



X
M12 Connector pin layout



X	Y	Colour
①	①	Brown
②	②	White
③	③	Blue
④	④	Black

Y
Connector pin layout

