



PZ-M71

Square Reflective Cable Type, NPN



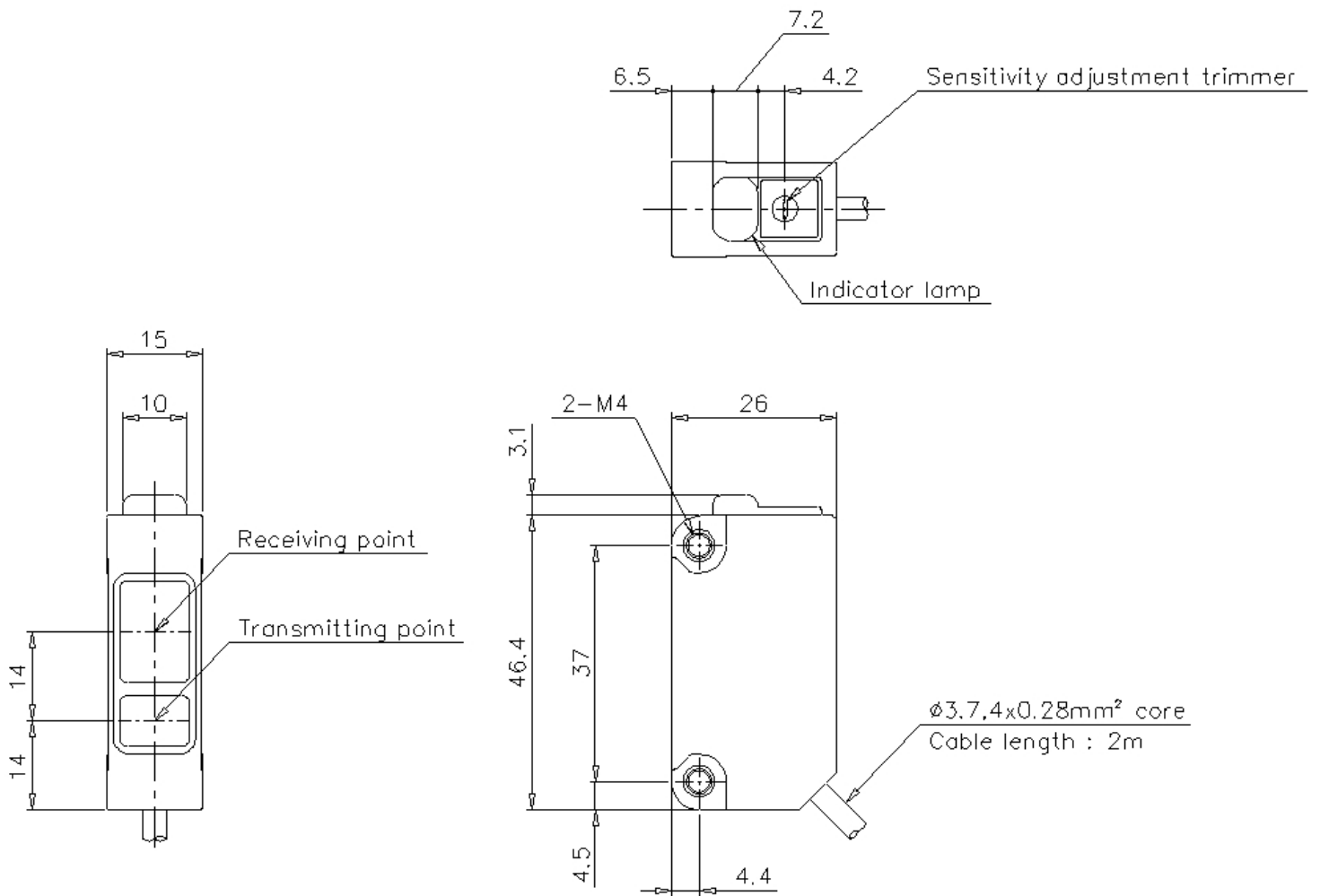
SPECIFICATIONS

Model	PZ-M71 ^{*1}	
Type	Intelligent reflective	
Output	NPN	
Detecting distance	20 to 900 mm (300 x 300 mm white mat paper) ^{*2}	
Setting distance	150 to 900 mm (300 x 300 mm white mat paper)	
Light source	Infrared LED	
Sensitivity adjustment	1-turn trimmer (230°)	
Response time	1 ms max. (1.2 ms max. with alternate-frequency type, 2 ms max. with M61 only. The alternate-frequency type is indicated by replacing "1" at the end of model name with "5". The models are PZ-M65, M15, M35, M75, V15, V35 and V75.)	
Operation mode	LIGHT-ON/DARK-ON (switch-selectable)	
Indicator lamp	Output and power: Orange LED, Stable operation: Green LED	
Control output	100 mA (24 V) max., Residual voltage: 1 V max.	
Digital monitor	—	
Protection circuit	Reversed polarity, overcurrent protection, surge absorber	
Rating	Power voltage	12 to 24 VDC ±10 %, Ripple (P-P) 10 % or less
	Power consumption	38 mA max.
Environmental resistance	Enclosure rating	IP67
	Ambient light	Incandescent lamp: 5,000 lux max., Sunlight: 20,000 lux max.
	Ambient temperature	-20 to +55 °C (No freezing)
	Relative humidity	35 to 85 % RH (No condensation)
	Vibration resistance	10 to 55 Hz, Double amplitude 1.5 mm, 2 hours in each of the X, Y, and Z directions
	Shock resistance	1,000 m/s ² , 6 times in each of the X, Y, and Z directions
Case material	Glass-fibre reinforced plastic	
Accessories	—	
Weight	Approx. 70 g (including 2-m cable)	
^{*1} The alternate-frequency type is indicated by replacing "1" at the end of model name with "5". The models are PZ-M65 , M15 , M35 , M75 , V15 , V35 and V75 . ^{*2} The detecting distance is obtained with the maximum sensitivity.		

Dimensions

* Download CAD file or product manual for larger image/text and more detail.

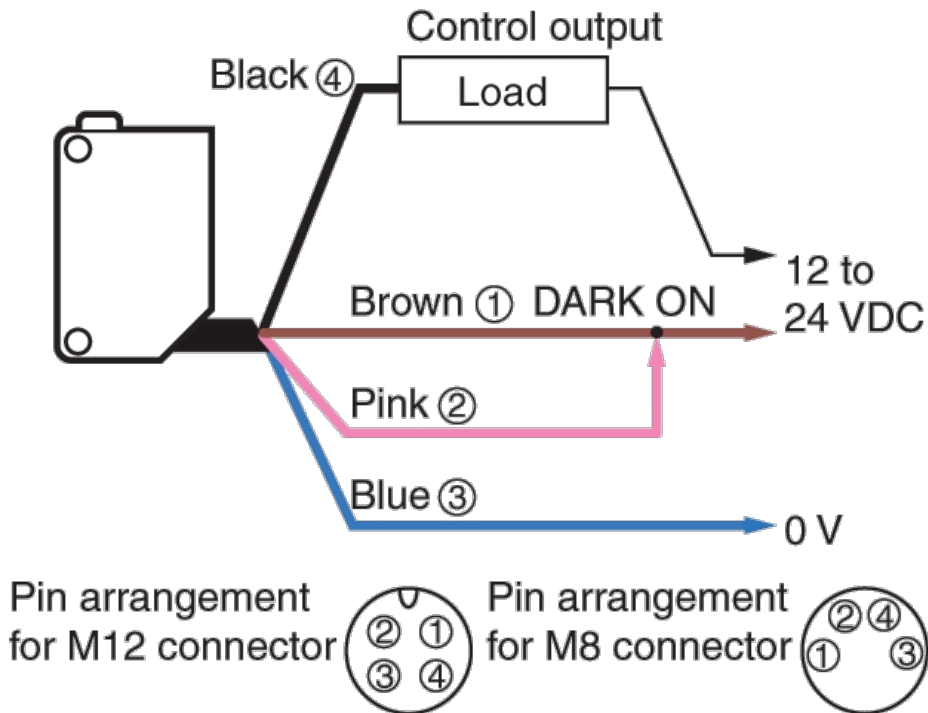
PZ-M71



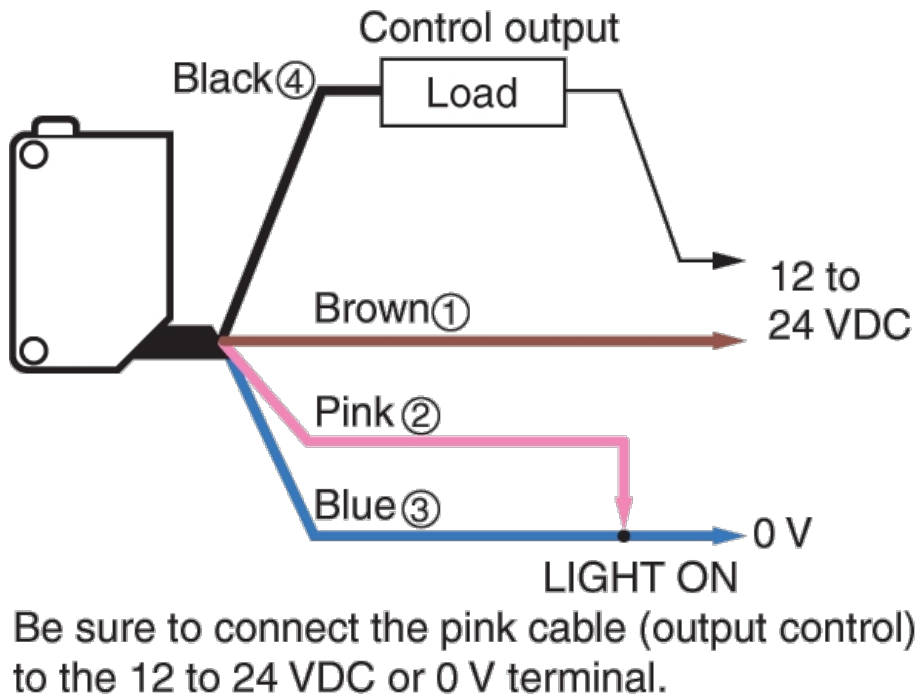
I/O Circuit Connection diagram

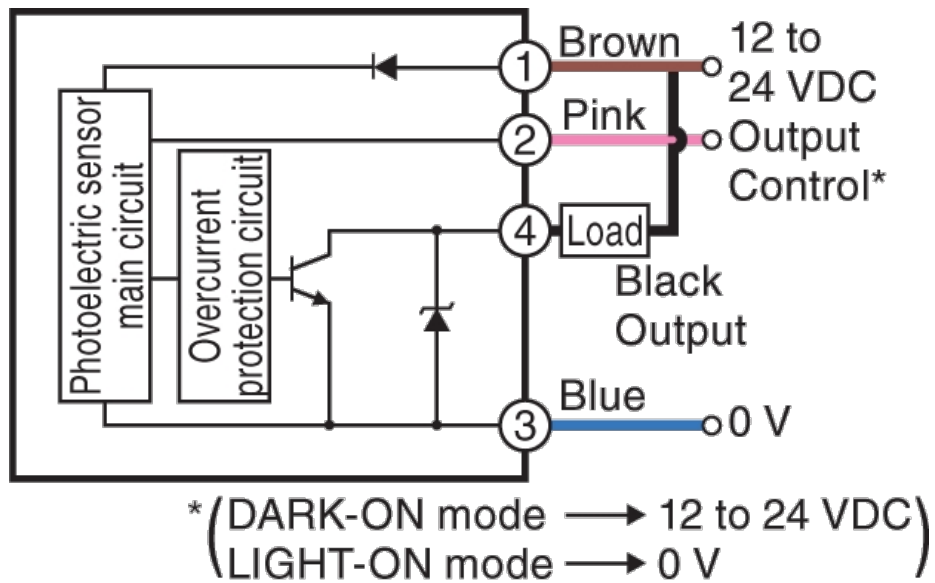
* Download CAD file or product manual for larger image/text and more detail.

1.DARK-ON mode



2.LIGHT-ON mode





Characteristic

* Download CAD file or product manual for larger image/text and more detail.

For all sensors apart from thru-beam types (PZ-M5x), using a sensor with a different frequency can prevent interference.

