

Pressure Measurement

Transmitters for general requirements

SITRANS P DS III
for gauge pressure
Technical specifications
SITRANS P, DS III series for gauge pressure

	HART	PROFIBUS PA and FOUNDATION Fieldbus		
Input				
Measured variable	Gauge pressure			
Spans (infinitely adjustable) or nominal measuring range and max. permissible test pressure	Span	Max. perm. test pressure	Nominal measuring range	Max. perm. test pressure
	0.15 ... 14.5 psi g (0.01 ... 1 bar g)	87 psi g (6 bar g)	14.5 psi g (1 bar g)	87 psi g (6 bar g)
	0.58 ... 58 psi g (0.04 ... 4 bar g)	145 psi g (10 bar g)	58 psi g (4 bar g)	145 psi g (10 bar g)
	2.23 ... 232 psi g (0.16 ... 16 bar g)	464 psi g (32 bar g)	232 psi g (16 bar g)	464 psi g (32 bar g)
	9.14 ... 914 psi g (0.6 ... 63 bar g)	1450 psi g (100 bar g)	914 psi g (63 bar g)	1450 psi g (100 bar g)
	23.2 ... 2320 psi g (1.6 ... 160 bar g)	3626 psi g (250 bar g)	2320 psi g (160 bar g)	3626 psi g (250 bar g)
	58 ... 5802 psi g (4.0 ... 400 bar g)	8700 psi g (600 bar g)	5802 psi g (400 bar g)	8700 psi g (600 bar g)
	102 ... 10153 psi g (7.0 ... 700 bar g)	11603 psi g (800 bar g)	10153 psi g (700 bar g)	11603 psi g (800 bar g)
	Lower measuring limit	0.435 psi a (30 mbar a)		
• Measuring cell with silicone oil filling	0.435 psi a (30 mbar a)			
• Measuring cell with inert filling liquid	0.435 psi a (30 mbar a)			
Upper measuring limit	100 % of max. span (for oxygen version and inert filling liquid; max. 120 bar g (1740 psi g))			
Output				
Output signal	4 ... 20 mA	Digital PROFIBUS PA and FOUNDATION Fieldbus signal		
• Lower limit (infinitely adjustable)	3.55 mA, factory preset to 3.84 mA	-		
• Upper limit (infinitely adjustable)	23 mA, factory preset to 20.5 mA or optionally set to 22.0 mA	-		
Load				
• Without HART communication	$R_B \leq (U_H - 10.5 \text{ V})/0.023 \text{ A}$ in Ω , U_H : Power supply in V	-		
• With HART communication	$R_B = 230 \dots 500 \Omega$ (SIMATIC PDM) or $R_B = 230 \dots 1100 \Omega$ (HART Communicator)	-		
Physical bus	-	IEC 61158-2		
Protection against polarity reversal	Protected against short-circuit and polarity reversal. Each connection against the other with max. supply voltage.			
Measuring accuracy				
	Acc. to EN 60770-1			
Reference conditions (All error data refer always refer to the set span)	Increasing characteristic, start-of-scale value 0 bar, stainless steel seal diaphragm, silicone oil filling, room temperature 25 °C (77 °F) r: Span ratio (r = max. span / set span)			
Error in measurement and fixed-point setting (including hysteresis and repeatability)				
• Linear characteristic		$\leq 0.075 \%$		
- $r \leq 10$	$\leq (0.0029 \cdot r + 0.071) \%$			
- $10 < r \leq 30$	$\leq (0.0045 \cdot r + 0.071) \%$			
- $30 < r \leq 100$	$\leq (0.005 \cdot r + 0.05) \%$			
Long-term drift (temperature change $\pm 30 \text{ }^\circ\text{C}$ ($\pm 54 \text{ }^\circ\text{F}$))				
• 1- to 4-bar measuring cell	$\leq (0.25 \cdot r) \%$ per 5 years	$\leq 0.25 \cdot) \%$ per 5 years		
• 16- to 400-bar measuring cell	$\leq (0.125 \cdot r) \%$ per 5 years	$\leq 0.125 \cdot) \%$ per 5 years		
Influence of ambient temperature				
• at -10 ... +60 °C (14 ... 140 °F)	$\leq (0.08 \cdot r + 0.1) \%$ (at 700 bar: $\leq (0.1 \cdot r + 0.2) \%$)	$\leq 0,3 \%$		
• at -40 ... -10 °C and +60 ... +85 °C (-40 ... +14 °F and 140 ... 185 °F)	$\leq (0.1 \cdot r + 0.15) \%$ /10 K	$\leq 0.25 \%$ /10 K		
Measured Value Resolution	-	$3 \cdot 10^{-5}$ of nominal measuring range		

Pressure Measurement

Transmitters for general requirements

SITRANS P DS III for gauge pressure

2

SITRANS P, DS III series for gauge pressure

	HART	PROFIBUS PA and FOUNDATION Fieldbus
Rated conditions		
Degree of protection (to EN 60529)		IP65
Temperature of medium		
• Measuring cell with silicone oil filling		-40 ... +100 °C (-40 ... +212 °F)
• Measuring cell with inert filling liquid		-20 ... +100 °C (-4 ... +212 °F)
• In conjunction with dust explosion protection		-20 ... +60 °C (-4 ... +140 °F)
Ambient conditions		
• Ambient temperature		
- Digital indicator		-30 ... +85 °C (-22 ... +185 °F)
• Storage temperature		-50 ... +85 °C (-58 ... +185 °F)
• Climatic class		
- Condensation		Relative humidity 0 ... 100 % Condensation permissible, suitable for use in the tropics
• Electromagnetic Compatibility		
- Emitted interference and interference immunity		Acc. to EN 61326 and NAMUR NE 21
Design		
Weight (without options)		≈ 1.5 kg (≈ 3.3 lb)
Enclosure material		Low-copper die-cast aluminum, GD-AISI 12 or stainless steel precision casting, mat. no. 1.4408
Wetted parts materials		
• Connection shank		Stainless steel, mat. no. 1.4404/316L or Hastelloy C4, mat. no. 2.4610
• Oval flange		Stainless steel, mat. no. 1.4404/316L
• Seal diaphragm		Stainless steel, mat. no. 1.4404/316L or Hastelloy C276, mat. no. 2.4819
Measuring cell filling		Silicone oil or inert filling liquid (maximum value with oxygen measurement pressure 120 bar g (1740 psi g) at 60 °C (140 °F))
Process connection		Connection shank G $\frac{1}{2}$ B to DIN EN 837-1, female thread $\frac{1}{2}$ -14 NPT or oval flange (PN 160 (MWP 2320 psi g)) to DIN 19213 with mounting thread M10 or $\frac{7}{16}$ -20 UNF to EN 61518
Material of mounting bracket		
Steel		Sheet-steel, Mat. No. 1.0330, chrome-plated
Stainless steel		Sheet stainless steel, mat. no. 1.4301 (SS 304)
Power supply U_H		
Terminal voltage on transmitter	10.5 ... 45 V DC 10.5 ... 30 V DC in intrinsically-safe mode	Supplied through bus -
Separate 24 V power supply necessary	-	No
Bus voltage		
• Not Ex	-	9 ... 32 V
• With intrinsically-safe operation	-	9 ... 24 V
Current consumption		
• Basic current (max.)	-	12.5 mA
• Start-up current \leq basic current	-	Yes
• Max. current in event of fault	-	15.5 mA
Fault disconnection electronics (FDE) available	-	Yes

Pressure Measurement

Transmitters for general requirements

SITRANS P DS III
 for gauge pressure

SITRANS P, DS III series for gauge pressure
HART
PROFIBUS PA and FOUNDATION Fieldbus
Certificates and approvals

Classification according to PED 97/23/EC

For gases of fluid group 1 and liquids of fluid group 1; complies with requirements of article 3, paragraph 3 (sound engineering practice)

Explosion protection

• Intrinsic safety "i"

PTB 99 ATEX 2122

- Marking

Ex II 1/2 G EEx ia/ib IIB/IIC T6

- Permissible ambient temperature

 -40 ... +85 °C (-40 ... +185 °F) temperature class T4;
 -40 ... +70 °C (-40 ... +158 °F) temperature class T5;
 -40 ... +60 °C (-40 ... +140 °F) temperature class T6

- Connection

To certified intrinsically-safe circuits with peak values:

 FISCO supply unit:
 $U_o = 17.5 \text{ V}$, $I_o = 380 \text{ mA}$, $P_o = 5.32 \text{ W}$
 $U_i = 30 \text{ V}$, $I_i = 100 \text{ mA}$,
 $P_i = 750 \text{ mW}$; $R_i = 300 \Omega$

 Linear barrier:
 $U_o = 24 \text{ V}$, $I_o = 250 \text{ mA}$, $P_o = 1.2 \text{ W}$

- Effective internal inductance/capacitance

 $L_i = 0.4 \text{ mH}$, $C_i = 6 \text{ nF}$
 $L_i = 7 \mu\text{H}$, $C_i = 1.1 \text{ nF}$

• Explosion-proof "d"

PTB 99 ATEX 1160

- Marking

Ex II 1/2 G EEx d IIC T4/T6

- Permissible ambient temperature

 -40 ... +85 °C (-40 ... +185 °F) temperature class T4;
 -40 ... +60 °C (-40 ... +140 °F) temperature class T6

- Connection

 To circuits with values: $U_H = 10.5 \dots 45 \text{ V DC}$

 To circuits with values: $U_H = 9 \dots 32 \text{ V DC}$

• Dust explosion protection for zone 20

PTB 01 ATEX 2055

- Marking

 Ex II 1 D IP65 T 120 °C
 Ex II 1/2 D IP65 T 120 °C

- Permissible ambient temperature

-40 ... +85 °C (-40 ... +185 °F)

- Max. surface temperature

120 °C (248 °F)

- Connection

To certified intrinsically-safe circuits with peak values:

 FISCO supply unit:
 $U_o = 17.5 \text{ V}$, $I_o = 380 \text{ mA}$, $P_o = 5.32 \text{ W}$
 $U_i = 30 \text{ V}$, $I_i = 100 \text{ mA}$,
 $P_i = 750 \text{ mW}$, $R_i = 300 \Omega$

 Linear barrier:
 $U_o = 24 \text{ V}$, $I_o = 250 \text{ mA}$, $P_o = 1.2 \text{ W}$

- Effective internal inductance/capacitance

 $L_i = 0.4 \text{ mH}$, $C_i = 6 \text{ nF}$
 $L_i = 7 \mu\text{H}$, $C_i = 1.1 \text{ nF}$

• Dust explosion protection for zone 21/22

PTB 01 ATEX 2055

- Marking

Ex II 2 D IP65 T 120 °C

- Connection

 To circuits with values: $U_H = 10.5 \dots 45 \text{ V DC}$;
 $P_{\max} = 1.2 \text{ W}$

 To circuits with values: $U_H = 9 \dots 32 \text{ V DC}$;
 $P_{\max} = 1.2 \text{ W}$

• Type of protection "n" (zone 2)

TÜV 01 ATEX 1696 X

Planned

- Marking

Ex II 3 G EEx nA L IIC T4/T5/T6

• Explosion protection acc. to FM

Certificate of Compliance 3008490

- Identification (XP/DIP) or (IS); (NI)

CL I, DIV 1, GP ABCD T4...T6; CL II, DIV 1, GP EFG; CL III; CL I, ZN 0/1 AEx ia IIC T4...T6; CL I, DIV 2, GP ABCD T4...T6; CL II, DIV 2, GP FG; CL III

• Explosion protection to CSA

Certificate of Compliance 1153651

- Identification (XP/DIP) or (IS)

CL I, DIV 1, GP ABCD T4...T6; CL II, DIV 1, GP EFG; CL III; Ex ia IIC T4...T6; CL I, DIV 2, GP ABCD T4...T6; CL II, DIV 2, GP FG; CL III

Pressure Measurement

Transmitters for general requirements

SITRANS P DS III for gauge pressure

2

HART communication	
HART communication	230 ... 1100 Ω
Protocol	HART Version 5.x
Software for computer	SIMATIC PDM
PROFIBUS PA communication	
Simultaneous communication with master class 2 (max.)	4
The address can be set using	Configuration tool or local operation (standard setting address 126)
Cyclic data usage	
• Output byte	5 (one measured value) or 10 (two measured values)
• Input byte	0, 1, or 2 (register operating mode and reset function for metering)
Internal preprocessing	
Device profile	PROFIBUS PA Profile for Process Control Devices Version 3.0, Class B
Function blocks	2
• Analog input	
- Adaptation to customer-specific process variables	Yes, linearly rising or falling characteristic
- Electrical damping T_{63} , adjustable	0 ... 100 s
- Simulation function	Input /Output
- Failure mode	parameterizable (last good value, substitute value, incorrect value)
- Limit monitoring	Yes, one upper and lower warning limit and one alarm limit respectively
• Register (totalizer)	Can be reset, preset, optional direction of counting, simulation function of register output
- Failure mode	parameterizable (summation with last good value, continuous summation, summation with incorrect value)
- Limit monitoring	One upper and lower warning limit and one alarm limit respectively
• Physical block	1
Transducer blocks	2
• Pressure transducer block	
- Can be calibrated by applying two pressures	Yes
- Monitoring of sensor limits	Yes
- Characterizer	Max. 30 points
- Square-rooted characteristic for flow measurement	Yes
- Gradual volume suppression and implementation point of square-root extraction	Parameterizable
- Simulation function for measured pressure value and sensor temperature	Constant value or over parameterizable ramp function

FOUNDATION Fieldbus communication	
Function blocks	3 function blocks analog input, 1 function block PID
• Analog input	
- Adaptation to customer-specific process variables	Yes, linearly rising or falling characteristic
- Electrical damping T_{63} , adjustable	0 ... 100 s
- Simulation function	Output/input (can be locked within the device with a bridge)
- Failure mode	parameterizable (last good value, substitute value, incorrect value)
- Limit monitoring	Yes, one upper and lower warning limit and one alarm limit respectively
- Square-rooted characteristic for flow measurement	Yes
• PID	Standard FF function block
• Physical block	1 resource block
Transducer blocks	1 transducer block Pressure with calibration, 1 transducer block LCD
• Pressure transducer block	
- Can be calibrated by applying two pressures	Yes
- Monitoring of sensor limits	Yes
- Simulation function: Measured pressure value, sensor temperature and electronics temperature	Constant value or over parameterizable ramp function

Pressure Measurement

Transmitters for general requirements

SITRANS P DS III for gauge pressure

2

Selection and Ordering data		Order No.
Pressure transmitter for gauge pressure, SITRANS P DS III HART		7MF4033 -
Measuring cell filling	Measuring cell cleaning	
Silicone oil	normal	1
Inert liquid ¹⁾	Grease-free	3
Measuring span		
0.15 ... 14.5 psi g	(0.01 ... 1 bar g)	B
0.58 ... 58 psi g	(0.04 ... 4 bar g)	C
2.32 ... 232 psi g	(0.16 ... 16 bar g)	D
9.14 ... 914 psi g	(0.63 ... 63 bar g)	E
23.2 ... 2320 psi g	(1.6 ... 160 bar g)	F
58.0 ... 5802 psi g	(4.0 ... 400 bar g)	G
102.0 ... 10153 psi g	(7.0 ... 700 bar g)	J
Wetted parts materials		
Seal diaphragm	Process connection	
Stainless steel	Stainless steel	A
Hastelloy	Stainless steel	B
Hastelloy	Hastelloy	C
Version as diaphragm seal ²⁾³⁾		Y 1
Process connection		
• Connection shank G $\frac{1}{2}$ B to EN 837-1		0
• Female thread $\frac{1}{2}$ -14 NPT		1
• Stainless steel oval flange		
- Mounting thread $\frac{7}{16}$ -20 UNF to EN 61518		2
- Mounting thread M10 to DIN 19213		3
- Mounting thread M12 to DIN 19213		4
• Male thread M20 x 1.5		5
• Male thread $\frac{1}{2}$ -14 NPT		6
Non-wetted parts materials		
• Housing made of die-cast aluminium		0
• Housing stainless steel precision casting ⁴⁾		3
Version		
• Standard versions		1
• International version, English label inscriptions, documentation in 5 languages on CD		2
Hazardous area rating		
• General purpose		A
• ATEX Hazardous approval		
- "Intrinsically safe (Ex ia)"		B
- "Explosion-proof (Ex d) ⁵⁾ "		D
- "Intrinsically safe and explosion-proof (Ex ia + Ex d) ⁶⁾ "		P
- use in zone 2		E
- "Intrinsically safe, explosion-proof enclosure and dust explosion protection (Ex ia + Ex d + zone 1D/2D) ⁶⁾ "		R
• FM/CSA Hazardous approval		
- "Intrinsically Safe und explosion proof (is + xp) ⁵⁾ "		NC
Electrical connection / cable entry		
• Screwed gland Pg 13.5 (adapter) ⁷⁾		A
• Screwed gland M20 x 1.5		B
• $\frac{1}{2}$ -14 NPT		C
• Han 7D plug (plastic housing) incl. mating connector ⁷⁾		D
• M12 connectors (metal) ⁸⁾		F

Selection and Ordering data		Order No.
Pressure transmitter for gauge pressure, SITRANS P DS III HART		7MF4033 -
Indicator		
• Without indicator		0
• Without indicator (digital display hidden, setting: mA)		1
• With indicator (digital display visible, setting: mA)		6
• With indicator (digital display visible, setting as specified, Order code "Y21"/"Y22" required)		7

Power supply units see Chap. 8 "Supplementary Components".

Included in delivery of the device:

- Brief instructions (Leporello)
- CD-ROM with detailed documentation

- 1) For oxygen cleaning application, add Order code E10.
- 2) When the manufacture's certificate (calibration certificate) has to be ordered for transmitters with diaphragm seals according to IEC 60770-2, it is recommended only to order this certificate exclusively with the diaphragm seals. The measuring accuracy of the total combination is certified here.
- 3) If the acceptance test certificate 3.1 is ordered for the transmitter with mounted diaphragm seals this certificate must also be ordered with the respective remote seals.
- 4) Not in conjunction with Electrical connection "Screwed gland Pg 13.5" and "Han7D plug".
- 5) Without cable gland, with blanking plug
- 6) With enclosed cable gland Ex ia and blanking plug
- 7) Not in conjunction with types of protection "Explosion-proof" and "Ex nA", "Intrinsic safety" and "Explosion-proof".
- 8) M12 delivered without cable socket

Pressure Measurement

Transmitters for general requirements

SITRANS P DS III for gauge pressure

Selection and Ordering data		Order No.
Pressure transmitter for gauge pressure		
SITRANS P DS III PA (PROFIBUS PA)		7 MF 4 0 3 4 -
SITRANS P DS III FF (FOUNDATION Fieldbus)		7 MF 4 0 3 5 -
		■ ■ ■ ■ ■ - ■ ■ ■ ■ ■
Measuring cell filling	Measuring cell cleaning	
Silicone oil	normal	1
Inert liquid ¹⁾	Grease-free	3
Nominal measuring range		
14.5 psi g	(1 bar g)	B
58 psi g	(4 bar g)	C
232 psi g	(16 bar g)	D
914 psi g	(63 bar g)	E
2320 psi g	(160 bar g)	F
5802 psi g	(400 bar g)	G
10153 psi g	(700 bar g)	J
Wetted parts materials		
Seal diaphragm	Process connection	
Stainless steel	Stainless steel	A
Hastelloy	Stainless steel	B
Hastelloy	Hastelloy	C
Version as diaphragm seal ²⁾³⁾		Y 1
Process connection		
• Connection shank G½B to EN 837-1		0
• Female thread ½-14 NPT		1
• Stainless steel oval flange		
- Mounting thread 7/16-20 UNF to EN 61518		2
- Mounting thread M10 to DIN 19213		3
- Mounting thread M12 to DIN 19213		4
• Male thread M20 x 1.5		5
• Male thread ½-14 NPT		6
Non-wetted parts materials		
• Housing made of die-cast aluminium		0
• Housing stainless steel precision casting		3
Version		
• Standard versions		1
• International version, English label inscriptions, documentation in 5 languages on CD		2
Hazardous area rating		
• General purpose		A
• ATEX Hazardous approval		
- "Intrinsically safe (EEx ia)"		B
- "Explosion-proof (EExd)" ⁴⁾		D
- "Intrinsically safe and explosion-proof (EEx ia + EEx d)" ⁵⁾		P
- use in zone 2		E
- "Intrinsically safe, explosion-proof enclosure and dust explosion protection (EEx ia + EEx d + zone 1D/2D)" ⁵⁾		R
• FM/CSA Hazardous approval		
- "Intrinsically Safe und explosion proof (is + xp)" ⁴⁾		NC
Electrical connection / cable entry		
• Screwed gland M20 x 1.5		B
• Screwed gland ½-14 NPT		C
• M12 connectors (metal) ⁶⁾		F

Selection and Ordering data		Order No.
Pressure transmitter for gauge pressure		
SITRANS P DS III PA (PROFIBUS PA)		7 MF 4 0 3 4 -
SITRANS P DS III FF (FOUNDATION Fieldbus)		7 MF 4 0 3 5 -
		■ ■ ■ ■ ■ - ■ ■ ■ ■ ■
Indicator		
• Without indicator		0
• Without indicator(digital display hidden)		1
• With indicator (digital display visible)		6
• With indicator (digital display visible, setting as specified, Order code "Y21" required)		7
Included in delivery of the device: Brief instructions (Leporello) CD-ROM with detailed documentation		
1) For oxygen cleaning application, add Order code E10.		
2) When the manufacture's certificate (calibration certificate) has to be ordered for transmitters with diaphragm seals according to IEC 60770-2, it is recommended only to order this certificate exclusively with the diaphragm seals. The measuring accuracy of the total combination is certified here.		
3) If the acceptance test certificate 3.1.is ordered for the transmitter with mounted diaphragm seals this certificate must also be ordered with the respective remote seals.		
4) Without cable gland, with blanking plug		
5) With enclosed cable gland EEx ia and blanking plug		
6) M12 delivered without cable socket		

Pressure Measurement

Transmitters for general requirements

SITRANS P DS III
 for gauge pressure

Selection and Ordering data	Order code		
	HART	PA	FF
Further designs Add "-Z" to Order No. and specify Order Code.			
Pressure transmitter with mounting bracket (2 shackles, 4 nuts, 4 U-plates, 1 angle) made of:			
• Steel	A01	✓	✓
• Stainless steel	A02	✓	✓
plug			
• Han 7D (metal, gray)	A30	✓	
• Han 8U (instead of Han 7D)	A31	✓	
• Angled	A32	✓	
Cable sockets for M12 connectors (metal)	A50	✓	✓
Rating plate inscription (instead of German)			
• English	B11	✓	✓
• French	B12	✓	✓
• Spanish	B13	✓	✓
• Italian	B14	✓	✓
English rating plate	B21	✓	✓
Pressure units in inH ₂ O and/or psi			
Factory calibration certificate¹⁾	C11	✓	✓
Material traceability certificate²⁾	C12	✓	✓
Factory certificate of conformance	C14	✓	✓
SIL2 certificate per IEC 61508 / 61511	C20	✓	
PROFIsafe certificate and protocol	C21		✓
Setting of upper limit of output signal to 22.0 mA	D05	✓	
Manufacturer's declaration acc. to NACE	D07	✓	✓
Degree of protection IP68 (only for M20x1.5 and ½-14 NPT)	D12	✓	✓
Brad Harrison Connector	D40	✓	✓
External, ½" NPT	J01	✓	
Use in or on zone 1D/2D (only together with type of protection "Intrinsic safety (EEx ia)")	E01	✓	✓
Oxygen application (In the case of oxygen measurement and inert liquid max. 120 bar G (1740 psi G) at 60°C (140 °F))	E10	✓	✓
Manifold Mounting assembled to Block & bleed valve (7MF9011-4FA) Assembled to Block & bleed valve (7MF9011-4FA) ½-14 NPT male, PTFE packing and pressure test	T03		
Two coats of lacquer on casing and cover (PU on epoxy)	G10	✓	✓

Selection and Ordering data	Order code		
	HART	PA	FF
Additional data Please add "-Z" to Order No. and specify Order code(s) and plain text.			
Calibrated range Specify in plain text (max. 5 characters): Y01: X to Y psi, inH ₂ O, ftH ₂ O...	Y01	✓	
Tag number/identification (max. 16 characters), specify in plain text: Y15:	Y15	✓	✓
Tag description (max. 27 characters), specify in plain text: Y16:	Y16	✓	✓
Entry of HART (TAG) (max. 8 characters), specify in plain text: Y17:	Y17	✓	
Pressure units for digital display specify in plain text: Y21: psi, inH ₂ O, ftH ₂ O ...	Y21	✓	✓
Non-Pressure units for digital display³⁾ (measuring range in pressure units ("Y01"/"Y02") mandatory) specify in plain text: Y22: X to Y GPM, MGD, Feet ...	Y22 + Y01	✓	
Preset bus address possible between 1 and 126 Specify in plain text: Y25:	Y25		✓

Factory mounting of valve manifolds, see accessories.

Only "Y01", "Y21", "Y22", "Y25" and "D05" can be factory preset

✓ = available

ordering example

 Item line: 7MF4033-1EA00-1AA7-Z
 B line: A01 + Y01 + Y21
 C line: Y01: 145 ... 290 psi (10 ... 20 bar)
 C line: Y21: psi (bar)

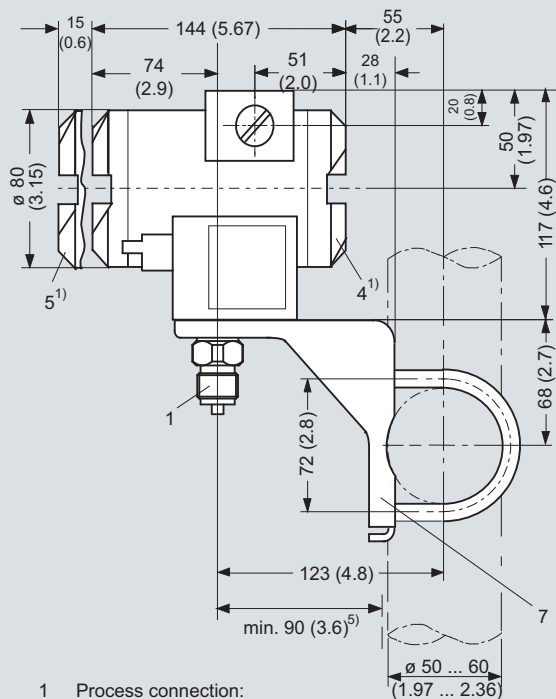
- When the manufacture's certificate (calibration certificate) has to be ordered for transmitters with diaphragm seals according to IEC 60770-2, it is recommended only to order this certificate exclusively with the diaphragm seals. The measuring accuracy of the total combination is certified here.
- If the acceptance test certificate 3.1 is ordered for the transmitter with mounted diaphragm seals this certificate must also be ordered with the respective remote seals.
- Preset values can only be changed over SIMATIC PDM.

Pressure Measurement

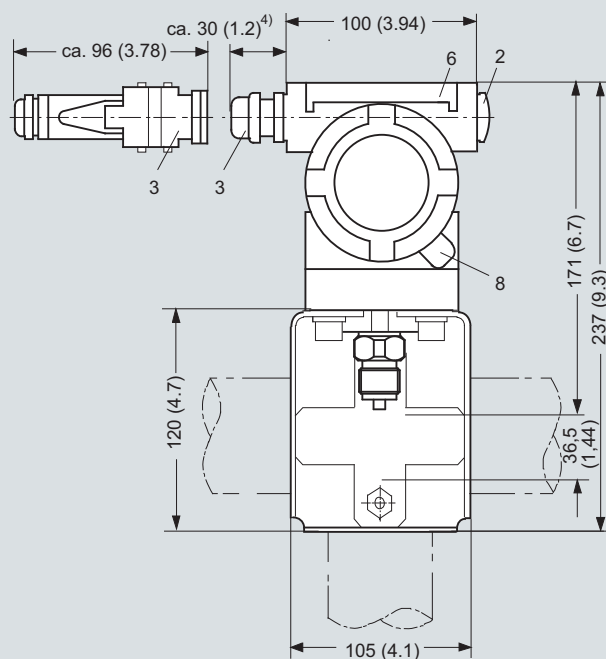
Transmitters for general requirements

SITRANS P DS III
for gauge pressure

Dimensional drawings



- 1 Process connection:
 - 1/2-14 NPT,
 - Connection shank G1/2B or
 - Oval flange
- 2 Blanking plug
- 3 Electrical connection:
 - Screwed gland Pg 13,5 (adapter)^{2) 3)}, only DS III HART,
 - Screwed gland M20x1,5³⁾,
 - Screwed gland 1/2-14 NPT,
 - Han 7D/Han 8D^{2) 3)} plug, only DS III HART, or
 - M12 connector
- 4 Terminal side
- 5 Electronic side, digital display (longer overall length for cover with window)
- 6 Protective cover over keys
- 7 Mounting bracket (option)
- 8 Screw cover - safety bracket (only for type of protection "Explosion-proof enclosure", not shown in the drawing)



- 1) Allow approx. 20 mm (0.79 inch) thread length to permit unscrewing
- 2) Not with type of protection "Explosion-proof enclosure"
- 3) Not with type of protection "FM + CSA" [is + xp]"
- 4) For Pg 13,5 with adapter approx. 45 mm (1.77 inch)
- 5) Minimum distance for rotating

SITRANS P DS III pressure transmitters for gauge pressure, dimensions in mm (inch)