



SR-752

Ethernet-compatible 2D Code Reader, Long-distance Type



SPECIFICATIONS

Model		SR-752 ^{*1}		
Type		Long-range type		
Receiver	Sensor	CMOS Image Sensor		
	Number of pixels	752 × 480 pixels		
Lighting	Light source	Red LED		
Laser pointer	Visible semiconductor laser, Wavelength 660 nm			
	Output	60 μW		
	Pulse duration	200 μs		
	Laser class	Class 1 Laser Product (IEC60825-1, FDA (CDRH) Part 1040.10 ²)		
Reading specifications	Minimum resolution	2D	0.19 mm	
		Barcode	0.17 mm	
	Supported symbol	2D	QR, MicroQR, DataMatrix (ECC200), GS1 DataMatrix, PDF417, MicroPDF, Composite Code (CC-A, CC-B, CC-C)	
		Barcode	GS1DataBar, CODE39, ITF, NW-7 (Codabar), CODE128, GS1-128, JAN/EAN/UPC, CODE39 FullASCII, CODE93, 2of5 (Industrial 2of5), COOP 2of5, Trioptic CODE39	
	Reading distance (typical examples)	DataMatrix QR	180 to 305 mm (Cell size = 0.5 mm)	
		Barcode	180 to 330 mm (Narrow bar width = 0.5 mm)	
Focal distance	250 mm			
Field of view (at focal distance)	65.0 mm × 41.5 mm			
I/O specifications	Control input	Number of inputs	2	
		Input type	Bidirectional voltage input	
		Maximum rating	26.4 VDC	
		Minimum ON voltage	15 VDC	
		Maximum OFF current	0.2 mA or less	
	Control output	Number of outputs	3	
		Output type	Photo MOS relay output	
		Maximum rating	30 VDC	
		Maximum load current	1 output: 50 mA or less, Total of 3 outputs: 100 mA or less	
		Leakage current when OFF	0.1 mA or less	
		Residual voltage when ON	1 V or less	
	Ethernet	Communication standard	10BASE-T/100BASE-TX	
		Supported protocol	TCP/IP, FTP, SNTIP, BOOTP, EtherNet/IP TM , PROFINET, MC protocol, KV STUDIO	
Serial communication	Communication standard	RS-232C compliant		
	Transmission speed	9600, 19200, 38400, 57600, 115200 bps		
	Supported protocol	Non-procedural, MC protocol, SYSWAY, KV STUDIO		
Rating	Power voltage	Control port: 24 VDC ±10 % or Ethernet port: PoE TypeA/B 36 to 57 V (Cannot supply at the same time) ^{*3}		
	Current consumption	Control port: 220 mA (When 24 VDC power supply is used) Ethernet port: PoE Power Class 2 ^{*4}		
Environmental resistance	Enclosure rating	IP65		
	Ambient light	Sunlight: 10,000 lux, Incandescent lamp: 6,000 lux, Fluorescent lamp: 2,000 lux		
	Ambient temperature	0 to +45 °C		
	Storage temperature	-10 to +50 °C		
	Relative humidity	35 to 95 % RH (No condensation)		
	Storage relative humidity			
	Operating environment	No dust or corrosive gas present		
	Vibration resistance	10 to 55 Hz, Double amplitude 1.5 mm, 55 to 500 Hz, Acceleration 5G, 3 hours in each of the X, Y, and Z directions		
Weight	Approx. 175 g			

^{*1} PROFINET is a trademark or registered trademark of PROFIBUS International.

EtherNet/IPTM is a trademark or registered trademark of ODVA.

^{*2} The laser classification for FDA (CDRH) is implemented based on IEC60825-1 in accordance with the requirements of Laser Notice No.50.

^{*3} To comply with CSA No.61010-1/UL61010-1/IEC61010-1, use the following power supply.

- one that provides Class 2 output as defined in the CEC and NEC, or

- one that has been evaluated as a Limited Power Source as defined in CAN/CSA-C22.2 No.60950-1/UL60950-1/IEC60950-1.

^{*4} Peak operating current for PoE Power Class 2: 210 mA maximum.

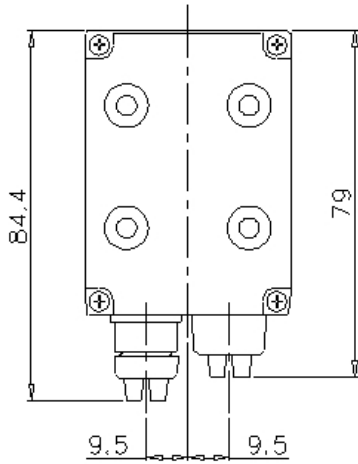
Dimensions

* Download CAD file or product manual for larger image/text and more detail.

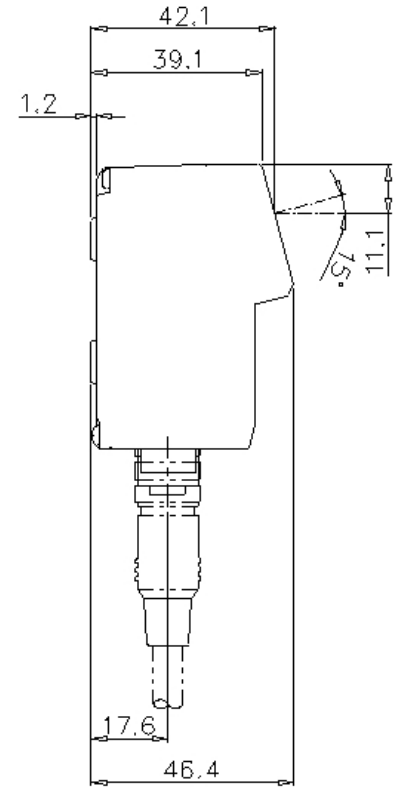
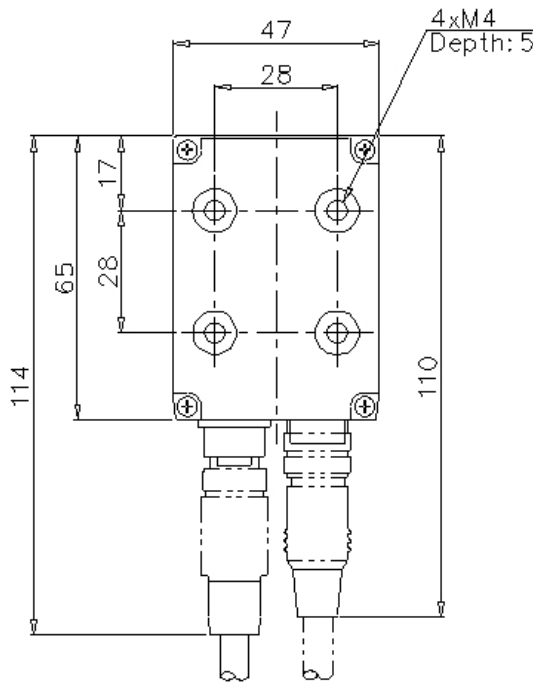
sr-752_652_dimension_01.gif

SR-752/652

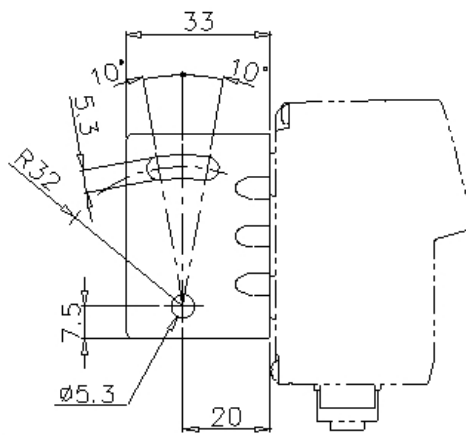
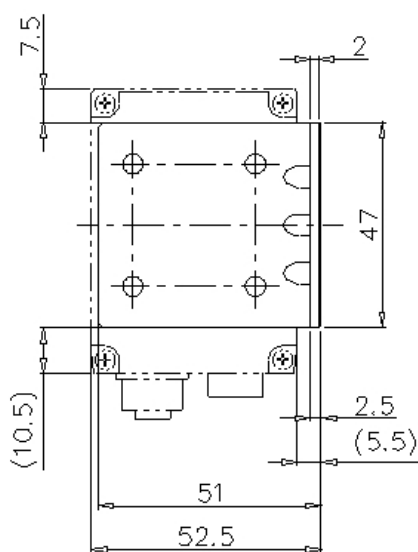
With port cover



With cable



When mounting bracket is attached



Screw hole dimensions

