

Product availability : Stock - Normally stocked in distribution facility

Price\* : 1466.00 USD



### Main

Range of product	Modicon TSX Micro automation platform
Product or component type	Modular base controller
Primary voltage	100...240 V 90...264 V AC
Input current	2 mA < 60 A
Immunity to microbreaks	< 20 ms
Output current	0.5 A

### Complementary

Number of slots	3
Module type	Screw terminal discrete I/O
Discrete input number	32 24 V DC
Discrete output number	24 relay
Integrated connection type	1 serial link Uni-Telway 19.2 kbit/s 1 Modbus Modbus RTU 19.2 kbit/s
Memory description	Flash 12 Kwords data Internal RAM 11 Kwords data
Maximum size of object areas	128 %KWi constant words 1 %MWi internal words 256 %Mi
Execution time per instruction	0.25 µs Boolean without PCMCIA card 4.81 µs arithmetic REAL floating without PCMCIA card
Execution time for 1 Kinstruction	3.03 100 % Boolean without PCMCIA card 0.25 65 % Boolean and 35 % numerical without PCMCIA card
Application structure	1 master task 8 event tasks 1 fast task
System overhead	1.9 ms master task
Protection type	Overload protection Short-circuit
Network frequency	50...60 Hz

Total useful secondary power	24 W
Electromagnetic compatibility	Electrostatic discharge IEC 1000-4-2 level 3 Electromagnetic field immunity test IEC 1000-4-3 level 3 Resistance to fast transient IEC 1000-4-4 level 3 Immunity to impulse waves IEC 1000-4-5 Damped oscillatory wave IEC 1000-4-12 Immunity to electromagnetic interference IEC 61131-2

## Environment

Ambient air temperature for operation	32...140 °F (0...60 °C)
Ambient air temperature for storage	-13...158 °F (-25...70 °C)
Relative humidity	5...95 % without condensation for operation 10...95 % without condensation for operation
Operating altitude	0...6561.68 ft (0...2000 m)
Width	9.64 in (244.9 mm)
Height	5.94 in (151 mm)
Depth	5.98 in (152 mm)
Product weight	6 lb(US) (2.72 kg)

## Ordering and shipping details

Category	22556 - TSX MICRO, PL7 MICRO & ACCESS
Discount Schedule	PC14
GTIN	00785901369622
Nbr. of units in pkg.	1
Package weight(Lbs)	5.9000000000000004
Returnability	N
Country of origin	FR

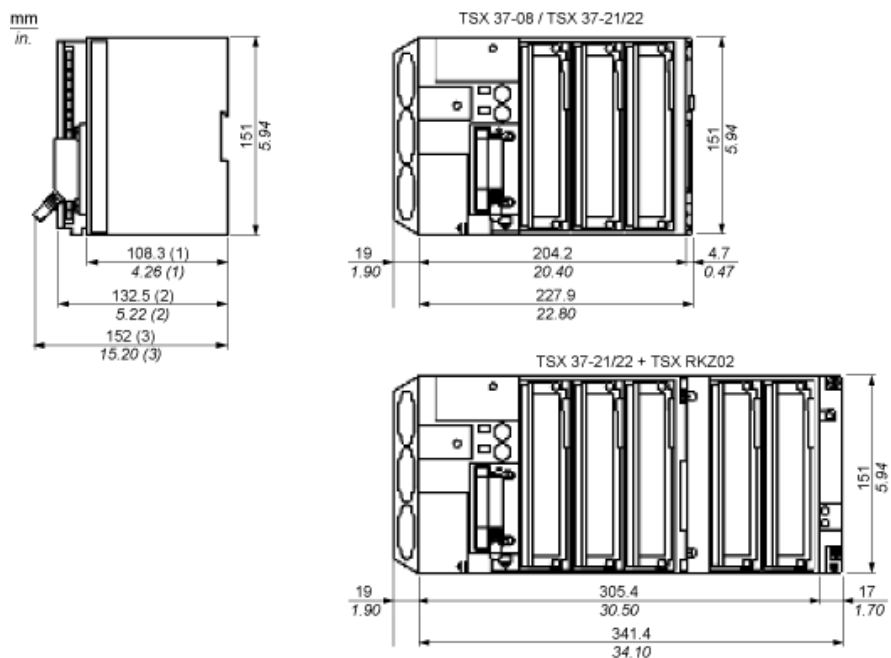
## Offer Sustainability

Sustainable offer status	Not Green Premium product
RoHS (date code: YYWW)	Will not be compliant <b>Will not be compliant</b>
REACH	Reference not containing SVHC above the threshold <b>Reference not containing SVHC above the threshold</b>

## Contractual warranty

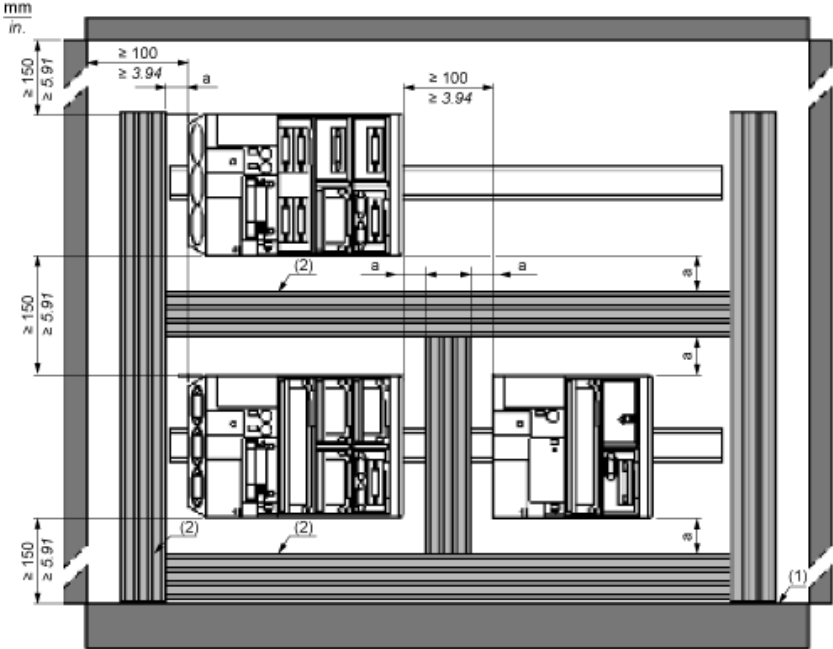
Warranty period	18 months
-----------------	-----------

Dimensions



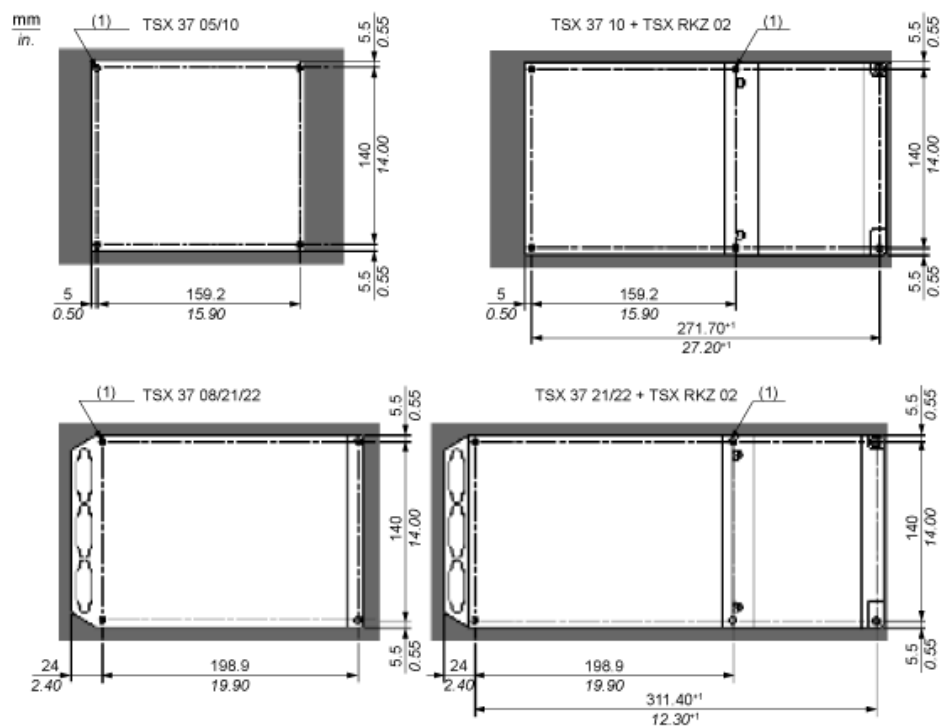
- (1) PLC empty.
- (2) With screw terminal block.
- (3) With HE10 or SubD connector.

Spacing Requirements



- a 50 mm/1.97 in. minimum
- (1) Installation or casing
- (2) Trough or cable tray

Panel/Board Mounting

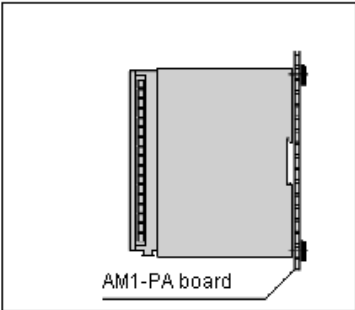


---

Telequick Board Mounting

---

Side View



Use 4 screws with M4x16AF1-VA416 captive washers and 4 M4 AF1-EA4 clip nuts.