

TSXDEY16A3C

discrete input module -16 capacitive isolated - 110 V AC - 12 mA

Product availability : Stock - Normally stocked in distribution facility

Price* : 897.00 USD



Main

Range of product	Modicon Premium Automation platform
Product or component type	Discrete input module
Discrete input number	16 capacitive isolated conforming to EN/IEC 61131-2 type 2
Discrete input voltage	110 V AC
Network frequency	50/60 Hz 47...63 Hz AC
Sensor power supply	85...132 V
Input compatibility	With 2-wire/3-wire proximity sensors conforming to EN/IEC 60947-5-2
Discrete input current	12 mA

Complementary

Voltage state 1 guaranteed	74 V
Current state 1 guaranteed	6 mA
Voltage state 0 guaranteed	20 V
Current state 0 guaranteed	4 mA
Input impedance	9200 Ohm at state 1
Response time	10 ms <= 20 ms
Insulation resistance	< 10 MOhm 500 V DC
Power dissipation	0.83 W
Electrical connection	Screw terminal
Marking	CE
Current consumption	80 mA 5 V DC
Module format	Standard
Product weight	0.71 lb(US) (0.32 kg)

Disclaimer: This documentation is not intended as a substitute for and is not to be used for determining suitability or reliability of these products for specific user applications.

Environment

Dielectric strength	1500 V AC at 50/60 Hz
Standards	IEC 60664 73/23/EEC CSA C22.2 No 213 Class I Division 2 Group C 92/31/EEC CSA C22.2 No 142 93/68/EEC CSA C22.2 No 213 Class I Division 2 Group D 89/336/EEC UL 508 CSA C22.2 No 213 Class I Division 2 Group B EN/IEC 61131-2 CSA C22.2 No 213 Class I Division 2 Group A
Product certifications	RINA DNV LR BV GL ABS RMRS
Ambient air temperature for operation	32...140 °F (0...60 °C)
Ambient air temperature for storage	-13...158 °F (-25...70 °C)
Relative humidity	10...95 % without condensation for operation 5...95 % without condensation for storage
Operating altitude	0...6561.68 ft (0...2000 m)
Protective treatment	TC Conformal coating Humiseal 1A33
IP degree of protection	IP20
Pollution degree	2

Ordering and shipping details

Category	22558 - TSX PREMIUM, ATRIUM & PL7 PRO
Discount Schedule	PC22
Nbr. of units in pkg.	1
Package weight(Lbs)	6.610000000000003
Returnability	N
Country of origin	FR

Offer Sustainability

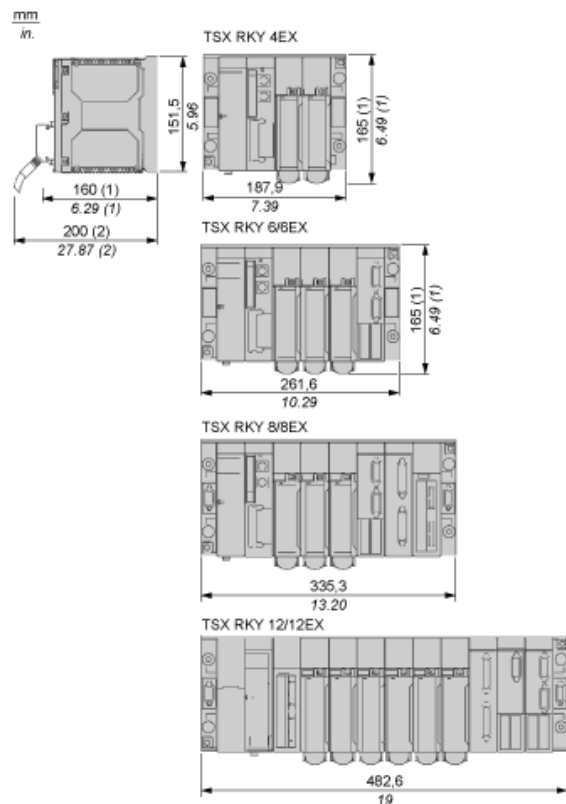
Sustainable offer status	Not Green Premium product
RoHS (date code: YYWW)	Compliant - since 0925 - Schneider Electric declaration of conformity Schneider Electric declaration of conformity
REACH	Reference not containing SVHC above the threshold Reference not containing SVHC above the threshold

Contractual warranty

Warranty period	18 months
-----------------	-----------

Standard and Extendable Racks for Modules Mounting

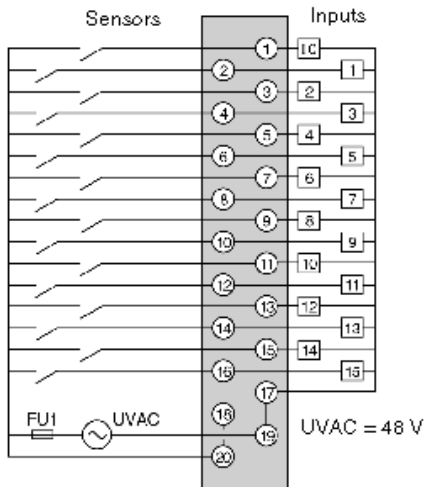
Dimensions of Modules and Racks



- (1) With screw terminal block modules.
- (2) Maximum depth for all types of modules and their associated connectors.

48 Vac Discrete Input 16-Channel Module

Wiring Diagram



FU1 0.5 A quick-blow fuse