



Main

Range of product	Modicon TSX Micro automation platform
Product or component type	Discrete input module
Discrete input number	8 screw terminal block
Discrete input voltage	100...120 V AC 85...132 V
Discrete input frequency	47...63 Hz
Discrete input current	11 mA 13 mA
Input voltage limits	≥ 74 V at state 1 < 20 V at state 0
Current state 0 guaranteed	≤ 4 mA
Current state 1 guaranteed	≥ 6 mA
Response time	11...18 ms at state 0 to state 1 9...16 ms at state 0 to state 1 11...24 ms at state 1 to state 0 10...22 ms at state 1 to state 0

Complementary

Standards	IEC 1131-2 Type 2
Input compatibility	2-wire proximity sensor
Discrete input type	Capacitive
Current consumption	20 mA
Power dissipation in W	1.7 W
Isolation voltage	1500 V AC 1 s

Environment

Product weight	0.51 lb(US) (0.23 kg)
----------------	-----------------------

Ordering and shipping details

Category	22556 - TSX MICRO, PL7 MICRO & ACCESS
Discount Schedule	PC14
GTIN	00785901540410
Nbr. of units in pkg.	1
Package weight(Lbs)	0.640000000000000001
Returnability	N
Country of origin	FR

Offer Sustainability

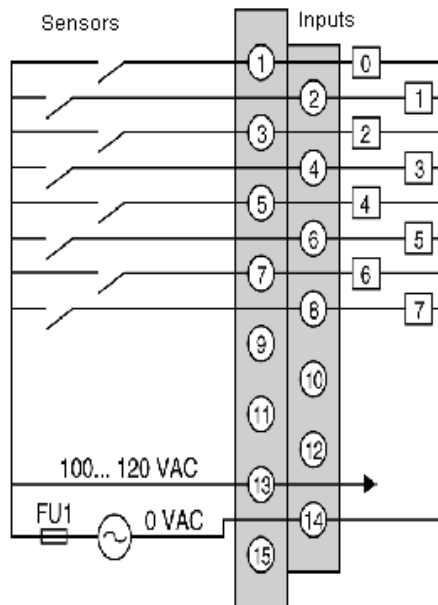
Sustainable offer status	Not Green Premium product
RoHS (date code: YYWW)	Will not be compliant Will not be compliant

Contractual warranty

Warranty period	18 months
-----------------	-----------

Sensors/Inputs Connections

Wiring Diagram



FU1 = 0.5A fuse with rapid fusion.