

# Product data sheet

## Characteristics

# TSXDMY28FKC

coated discrete I/O module Modicon Premium -  
16 I 24 V DC - 12 O solid state

Product availability: Non-Stock - Not normally stocked in distribution facility

Price\*: 1768.70 USD



## Commercial status

This Product is Obsolete :

 This Product is Obsolete

## Main

Range of product	Modicon Premium Automation platform
Product or component type	Discrete I/O modules
Discrete I/O number	28
Discrete input number	16 current sink fast input IEC 1131-2 Type 1
Input logic	Positive
Input voltage	24 V 3.5 mA DC

## Complementary

Voltage state 1 guaranteed	$\geq 11$ V
Current state 1 guaranteed	$\geq 3$ mA
Voltage state 0 guaranteed	$\leq 5$ V
Current state 0 guaranteed	$\leq 1.5$ mA
Sensor power supply	19...30 V
Filter time	0.1 to 7.5 ms by configuration 4 ms by default
Paralleling of inputs	Yes
Input compatibility	2-wire/3-wire proximity sensor
Insulation resistance	$> 10$ MOhm 500 V DC
Power dissipation	1.2 W + 0.1 x number of input at 1
Discrete output number	12
Maximum tungsten load	$< 6$ W solid state output
Output voltage	24 V 0.5 A
Discrete output type	Solid state
Output voltage limits	19...30 V
Maximum output current	4 A by module 0.5 A by channel
Maximum leakage current	1 MA at state 0
[Ures] residual voltage	1.2 V at state 1
Minimum load impedance	48 W
Response time on output	0.6 ms

Switching frequency	0.5/LI <sup>2</sup> Hz
Output overvoltage protection	By transil diode
Reverse polarity protection	Reversed diode
Preactuator voltage detection threshold	16 V
Electrical connection	2 connectors HE-10
Current consumption	300 mA 5 V DC 75 mA 24 V DC
Module format	Standard
Protective treatment	Conformal coating Humiseal 1A33
Net Weight	0.71 Lb(US) (0.32 kg)

## Environment

Dielectric strength	1500 V 50/60 Hz for 1 minute
Derating factor	60 % of inputs at state 1 140 °F (60 °C) fast input 60 % of the maximum current of the module 140 °F (60 °C) solid state output
Ambient air temperature for operation	32...140 °F (0...60 °C)
Ambient air temperature for storage	-13...158 °F (-25...70 °C)
Relative humidity	5...95 % without condensation
Operating altitude	<= 6561.68 ft (2000 m)

## Ordering and shipping details

Category	22558 - TSX PREMIUM, ATRIUM & PL7 PRO
Discount Schedule	PC22
GTIN	03595863936728
Nbr. of units in pkg.	1
Package weight(Lbs)	2.21 Lb(US) (1.00 kg)
Returnability	No
Country of origin	FR

## Packing Units

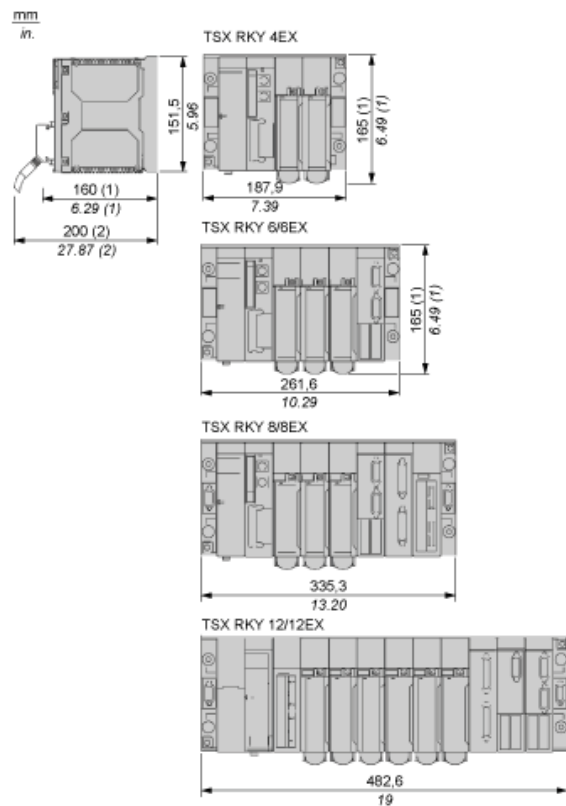
Package 1 Height	2.17 In (55.000 mm)
Package 1 width	7.09 In (180.000 mm)
Package 1 Length	10.24 In (260.000 mm)

## Contractual warranty

Warranty	18 months
----------	-----------

Standard and Extendable Racks for Modules Mounting

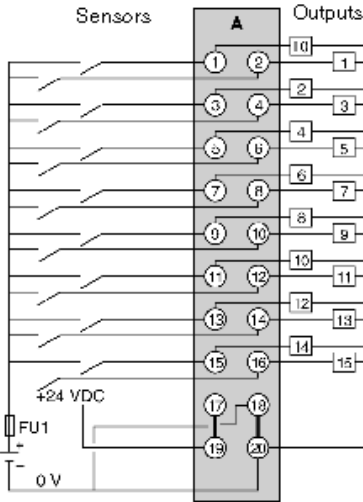
Dimensions of Modules and Racks



- (1) With screw terminal block modules.
- (2) Maximum depth for all types of modules and their associated connectors.

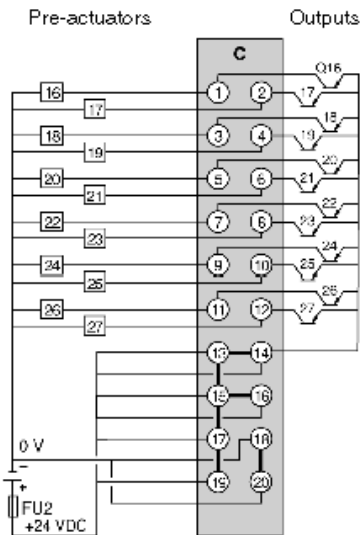
24 Vdc Input/Output 28-Channel Module

Wiring Diagram with Sensors



FU1 0.5 A quick-blow fuse.

Wiring Diagram with Pre-Actuators



FU2 10 A quick-blow fuse.

Product Life Status : **End of commerc. - Block**

TSXDMY28FKC may be replaced by any of the following products:



**BMXDDM16022H**

discrete I/O module X80 - 8 I - 24 V DC - 8 O - solid state- severe

Qty 1

Reason for Substitution: End of life | Substitution date: 31 Dec 2017 |



## BMXDDM16022H

discrete I/O module X80 - 8 I - 24 V DC - 8 O - solid state- severe

Qty 1

Reason for Substitution: End of life | Substitution date: 30 Jun 2018 |

---