

Product availability : Stock - Normally stocked in distribution facility

Price* : 828.00 USD



Main

Range of product	Modicon TSX Micro automation platform
Product or component type	Discrete solid state I/O base DC
Discrete input number	16 1 HE-10 connector
Discrete input voltage	24 V DC positive
Discrete input current	7 mA
Discrete input type	Resistive
Discrete output number	12 1 HE-10 connector
Discrete output voltage	24 V DC
Discrete output current	0.5 mA
Discrete output logic	Positive

Complementary

Input voltage limits	≥ 11 V at state 1 < 5 V at state 0
Current state 0 guaranteed	≤ 1.5 mA
Current state 1 guaranteed	≥ 2.5 mA
Input impedance	3.4 Ohm
Response time	≤ 0.5 ms from state 1 to state 0 output ≤ 0.5 ms from state 0 to state 1 output 0.1...7.5 ms from state 1 to state 0 input 0.1...7.5 ms from state 0 to state 1 input
Input compatibility	2-wire/3-wire proximity sensor
Current consumption	132 mA
Power dissipation in W	3.5 W by module output 0.15 W by channel output 5 W input
Output voltage limits	19...30 V
Output current limits	0.625 A
Leakage current	≤ 0.5 mA at state 0

[Ures] residual voltage	<= 0.3 V
Load impedance ohmic	48 Ohm
Switching frequency	< 0.6/LI ² Hz
Output overvoltage protection	By zener diode
Output short-circuit protection	By current limiter and electronic circuit breaker
Reverse polarity protection	Reverse diode on power supply
Paralleling of outputs	Yes : 2 maximum
Isolation voltage	1500 V 1 s
Product weight	0.73 lb(US) (0.33 kg)

Environment

Standards	IEC 1131-2 Type 1
-----------	-------------------

Ordering and shipping details

Category	22556 - TSX MICRO, PL7 MICRO & ACCESS
Discount Schedule	PC14
GTIN	00785901540465
Nbr. of units in pkg.	1
Package weight(Lbs)	0.8900000000000001
Returnability	N
Country of origin	FR

Offer Sustainability

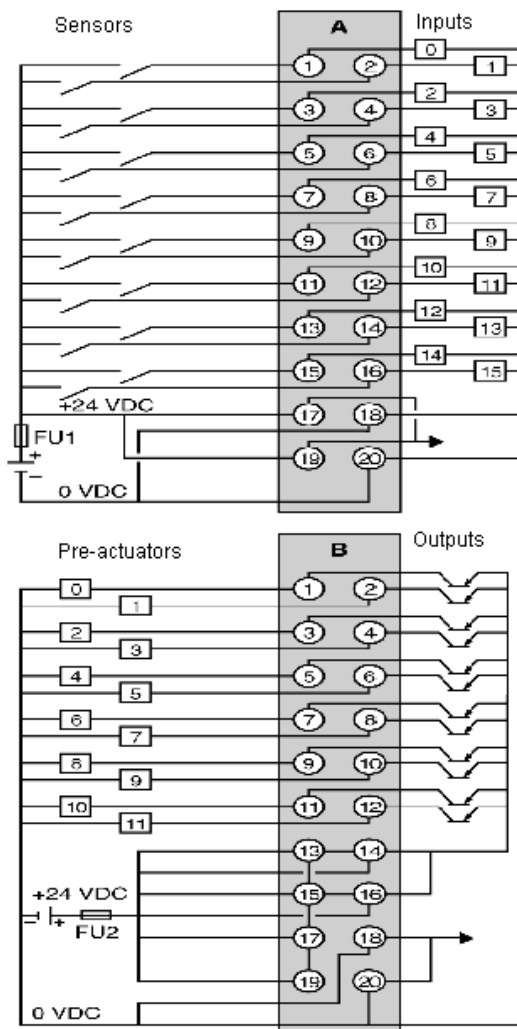
Sustainable offer status	Not Green Premium product
RoHS (date code: YYWW)	Will not be compliant Will not be compliant
Product environmental profile	Available

Contractual warranty

Warranty period	18 months
-----------------	-----------

Sensors/Inputs and pre-Actuators/Outputs Connections

Wiring Diagram



FU1 = 0.5A fuse with rapid fusion.

FU2 = 6.3A fuse with rapid fusion.