

Product availability : Stock - Normally stocked in distribution facility

Price\* : 1590.00 USD



### Main

Range of product	Modicon TSX Micro automation platform
Product or component type	Discrete output module
Discrete output number	32 screw terminal block
Discrete output voltage	24 V DC
Discrete output current	0.5 mA
Discrete output logic	Positive

### Complementary

Output voltage limits	19...30 V
Output current limits	0.625 A
Leakage current	$\leq 0.5$ mA at state 0
[Ures] residual voltage	$\leq 0.3$ V
Load impedance ohmic	48 Ohm
Response time	$< 0.5$ ms at state 1 $< 0.5$ ms at state 0
Switching frequency	$< 0.6/LI^2$ Hz
Output overvoltage protection	By zener diode
Output short-circuit protection	Current limiter Thermal circuit breaker
Reverse polarity protection	Reverse diode on power supply
Paralleling of outputs	Yes : 2 maximum
Current consumption	94 mA
Power dissipation in W	0.15 W by channel 3.2 W by module
Isolation voltage	1500 V 1 s
Product weight	0.93 lb(US) (0.42 kg)

Disclaimer: This documentation is not intended as a substitute for and is not to be used for determining suitability or reliability of these products for specific user applications.

### Ordering and shipping details

Category	22556 - TSX MICRO, PL7 MICRO & ACCESS
Discount Schedule	PC14
GTIN	00785901871088
Nbr. of units in pkg.	1
Package weight(Lbs)	2.21
Returnability	N
Country of origin	FR

### Offer Sustainability

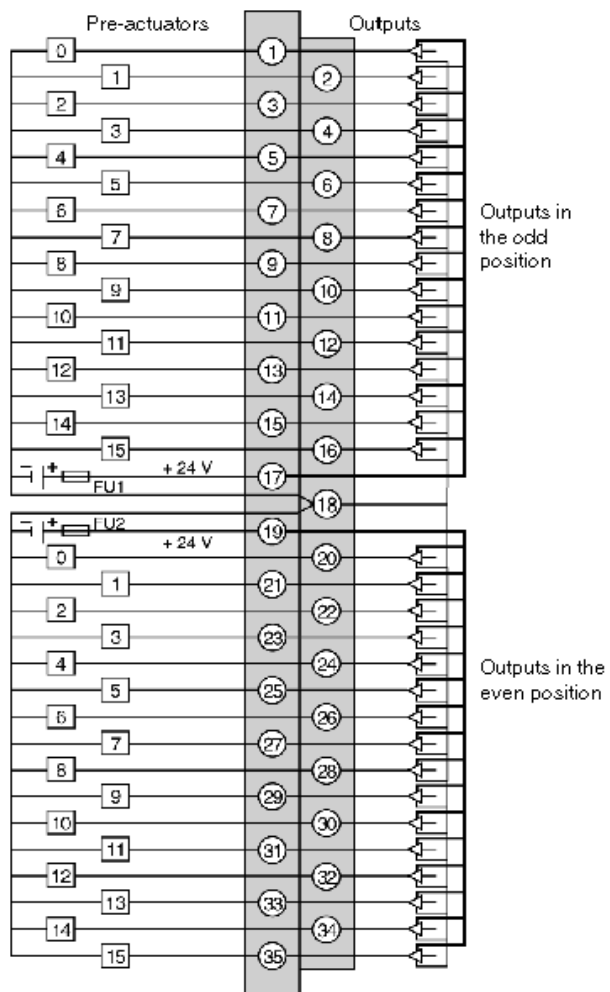
Sustainable offer status	Not Green Premium product
RoHS (date code: YYWW)	Will not be compliant Will not be compliant

### Contractual warranty

Warranty period	18 months
-----------------	-----------

Pre-Actuators/Outputs Connections

Wiring Diagram



FU1 and FU2 = 10A rapid fusion fuses.