

Product data sheet

Characteristics

TSXISPY101C

ISP Plus weighing module - 50 measurements per second - 10 V DC

Product availability: Non-Stock - Not normally stocked in distribution facility

Price*: 4183.70 USD



Commercial status

This Product is Obsolete :

 This Product is Obsolete

Main

Range of product	Modicon Premium Automation platform
Product or component type	ISP Plus weighing module

Complementary

Number of measurement input	1
Resolution	1048576 points
Analogue input resolution	20 bits
Measuring rate	50 measurements per second
Input impedance	> 1 MOhm
Input compatibility	Load cell 1...8 350 Ohm yes <984.25 ft (300 m)
Sensor power supply	10 V DC
Output compatibility	Discrete reflex 2 positive
Discrete output voltage	24 V DC
Discrete output current	500 mA
Response time on output	1 ms
Transmission rate	9.6 kbit/s RS485 non isolated <= 30 m discrete reflex weight indicator
Voltage division	1 MV
Electrical connection	1 connector screw terminal block for connecting 2 discrete reflex 1 female connector SUB-D 15 for the indicator input 1 female connector SUB-D 9 for RS485 serial link to the weight indicator
Marking	CE
Current consumption	145 mA 24 V rack 150 mA 5 V DC
Module format	Standard
Net Weight	0.93 Lb(US) (0.42 kg)

The information provided in this documentation contains general descriptions and/or technical characteristics of the performance of the products contained herein. This documentation is not intended as a substitute for and is not to be used for determining suitability or reliability of these products for specific user applications. It is the duty of any such user or integrator to perform the appropriate and complete risk analysis, evaluation and testing of the products with respect to the relevant specific application or use thereof. Neither Schneider Electric Industries SAS nor any of its affiliates or subsidiaries shall be responsible or liable for misuse of the information contained herein. *Prices are indicative

Environment

Ambient air temperature for operation	32...140 °F (0...60 °C)
Ambient air temperature for storage	-13...158 °F (-25...70 °C)
Relative humidity	10...95 % without condensation for operation 5...95 % without condensation for storage
Operating altitude	0...6561.68 ft (0...2000 m)
Protective treatment	Conformal coating Humiseal 1A33
Product certifications	SDM No 97.06

Ordering and shipping details

Category	22558 - TSX PREMIUM, ATRIUM & PL7 PRO
Discount Schedule	PC22
GTIN	03595863959956
Nbr. of units in pkg.	1
Package weight(Lbs)	1 Lb(US) (0.45 kg)
Returnability	No
Country of origin	FR

Packing Units

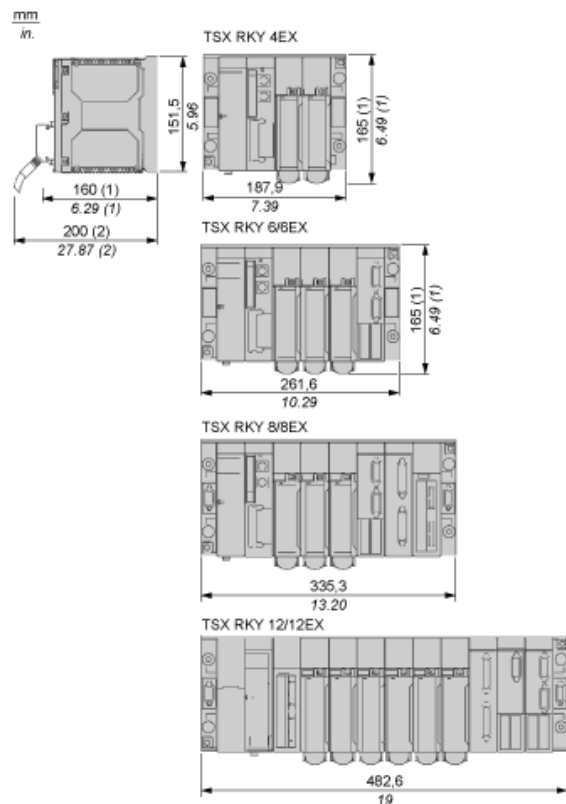
Package 1 Height	2.17 In (55.000 mm)
Package 1 width	7.09 In (180.000 mm)
Package 1 Length	10.24 In (260.000 mm)

Contractual warranty

Warranty	18 months
----------	-----------

Standard and Extendable Racks for Modules Mounting

Dimensions of Modules and Racks



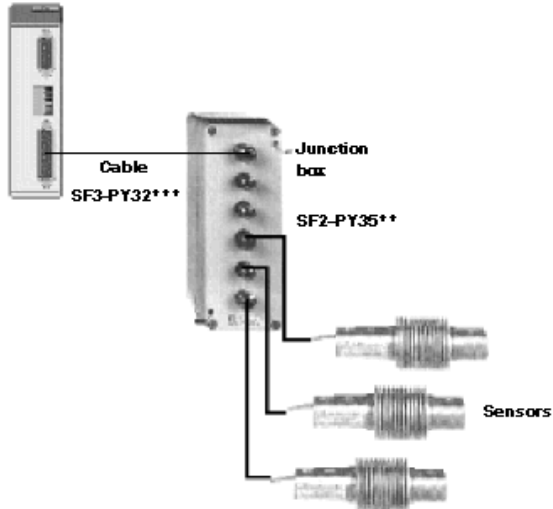
- (1) With screw terminal block modules.
- (2) Maximum depth for all types of modules and their associated connectors.

Connecting the Measurement Sensors

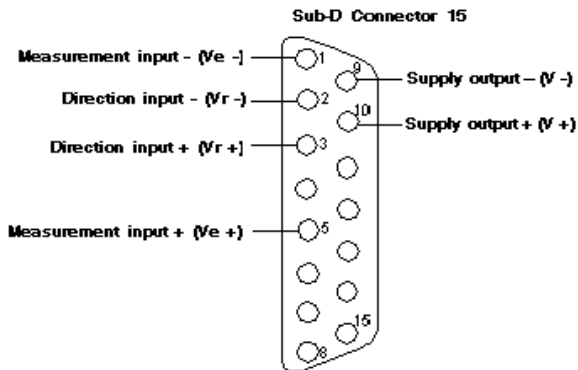
Cabling Accessories

The measurement sensors are connected to the module 15 pin female SUB-D connector.

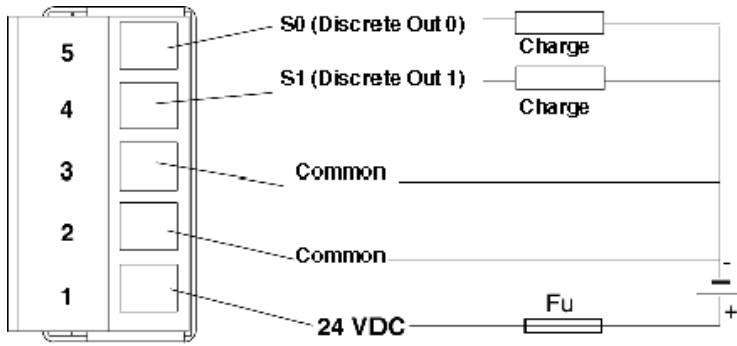
TSX ISP Y101



15-pin SUB-D Connector Pinout



Connection to Discrete Outputs of the Weighing Module



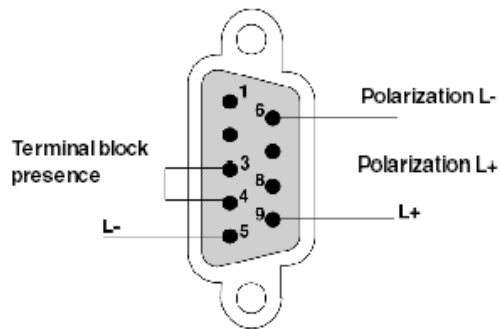
Fu Fast-acting fuse

The common 2 and 3 are linked by the card.

Serial Link for the Display Panel

Module Connector Pinout

The RS 485 serial link is used to carry over the weight to an external display panel.



The line on the module side is polarized using straps 6-5 and 8-9.

Product Life Status : **End of commerc. - Block**