



Mitsubishi PLC

2001 No.154E

NEW PRODUCT RELEASE

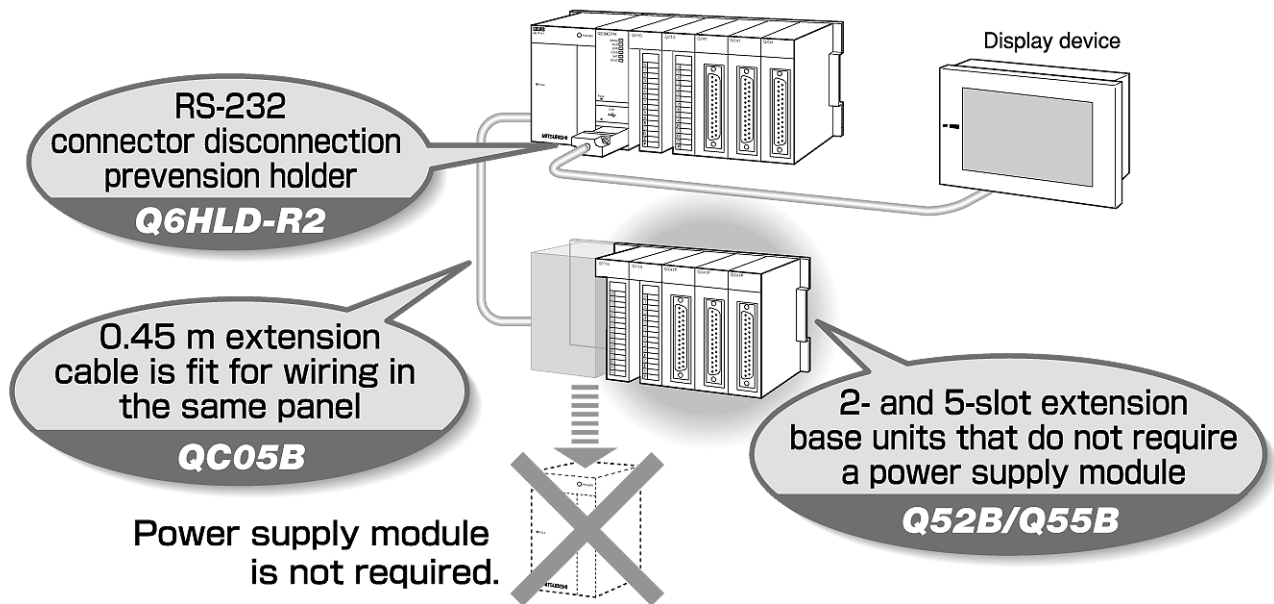
Type Q52B, Q55B Extension Base Unit

Type QC05B Extension Cable

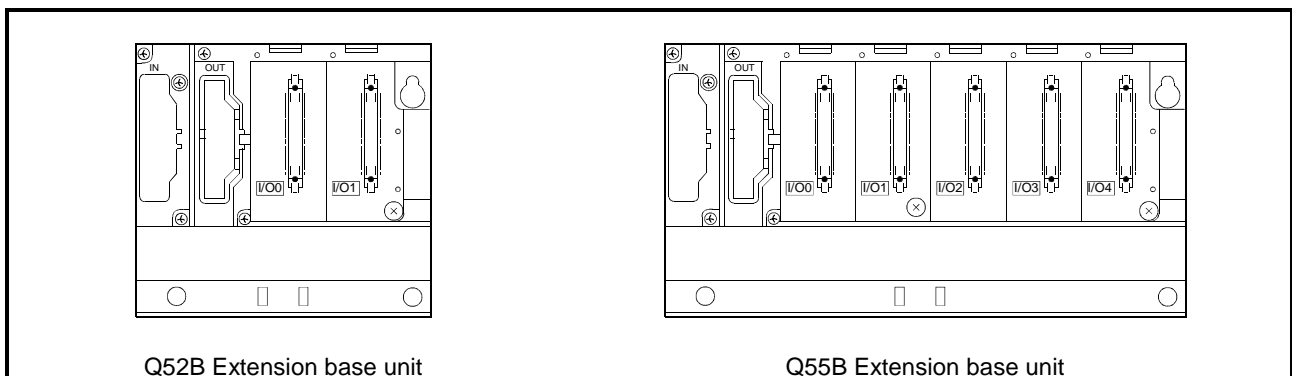
Type Q6HLD-R2 RS-232 Connector Disconnection Prevention Holder

New!

The following units are now available in the popular Q Series!



1. Q52B/Q55B Extension base unit, QC05B Extension cable

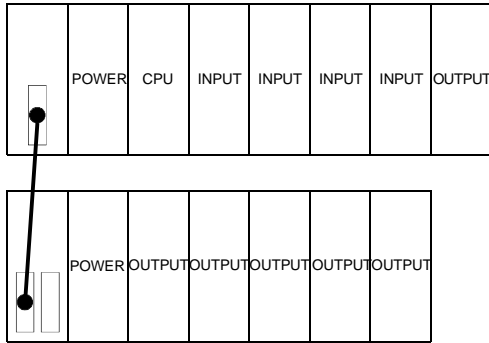


[Features]

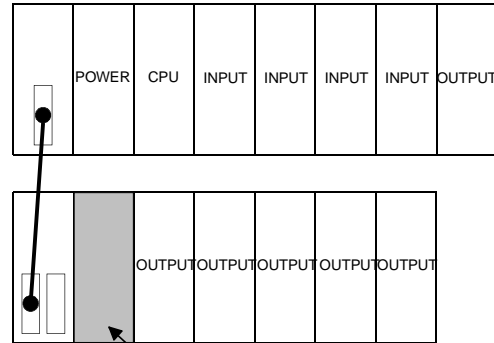
- (1) A power supply module is not required!

A system can be constructed at a lower cost because a power supply module is no longer required (see Point).

Q35B and Q65B system



Q35B and Q55B system

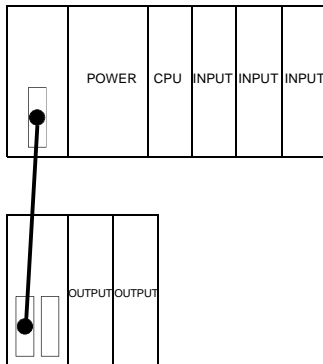


Cost for power supply module is reduced!

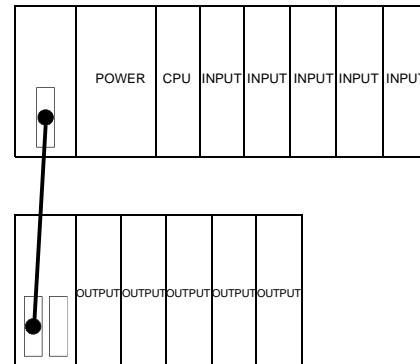
- (2) Economical and space saving system configuration!

By using the Q5□B extension base units, economical and space saving system can be configured according to the customer's needs.

Q33B and Q52B system



Q35B and Q55B system



- (3) Increased flexibility in system configuration!

By combining a QC05B extension cable that has a low resistance with the Q5□B extension base unit, a wider range of modules can be mounted on the Q5□B base unit.

- (4) Ideal for wiring in the same panel!

The QC05B extension cable is as short as 0.45 m in length, so it is ideal for wiring within the same panel.

Point
(1) Since the Q52B/Q55B extension base unit is operated by the power supply module on the basic base unit, it is important to pay attention to the power supply capacity of the power supply module on the basic base unit.
(2) Voltage of 5V is supplied from the power supply module on the basic base unit to the Q52B/Q55B extension base unit through the extension cable. Thus, before using the Q52B/Q55B extension base unit, carefully review the voltage drop (in the extension cable) that may be generated by the following: <ul style="list-style-type: none"> • Total current consumption value on the base unit (including the current consumption of the base unit) • Extension cable length (conductor resistance value)

[Performance specifications]

(1) Extension base unit specifications (models not requiring a power supply module)

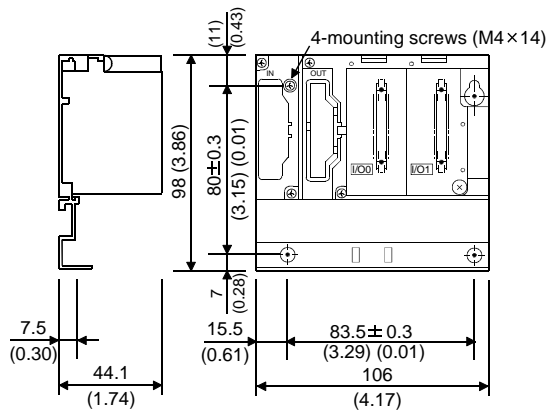
Item \ Type	Q52B	Q55B
Number of I/O modules installed	2	5
Possibility of extension	Extendable	
Applicable module	Q series modules (power supply modules not required)	
5VDC internal current consumption	0.080A	0.100A
Mounting hole size	M4 screw hole or $\phi 4.5$ hole (for M4 screw)	
Weight	0.14kg	0.23kg
Attachment	Mounting screw M4 \times 14 4 pieces (DIN rail mounting adapter to be sold separately)	
DIN rail mounting Adapter type	Q6DIN3	

(2) Extension cable specification

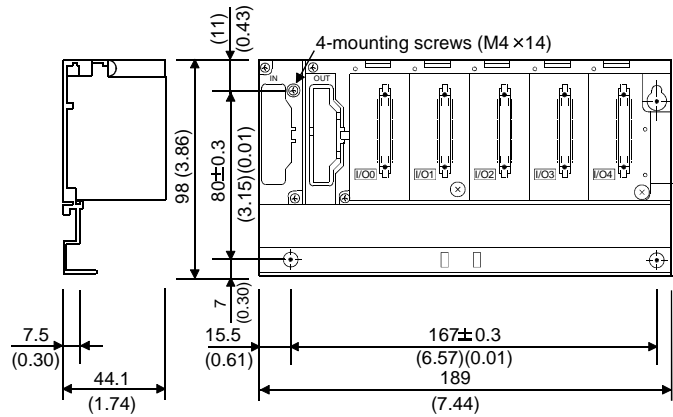
Item \ Type	QC05B
Cable length	0.45m (1.48 ft)
Application	Connection across the main base unit and extension base unit or across the extension base units. (43.28 ft.) (cannot be used for the QA65B)
Resistance	0.044 Ω
Weight	0.15kg

[External dimensions]

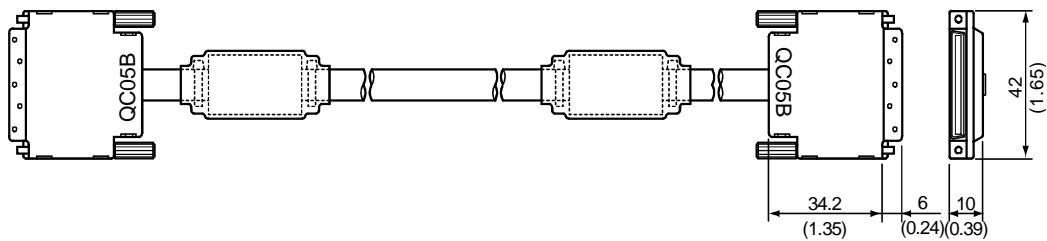
(1) Q52B (2 slots type)



(2) Q55B (5 slots type)



(3) QC05B (0.45m)



Unit : mm (inch)

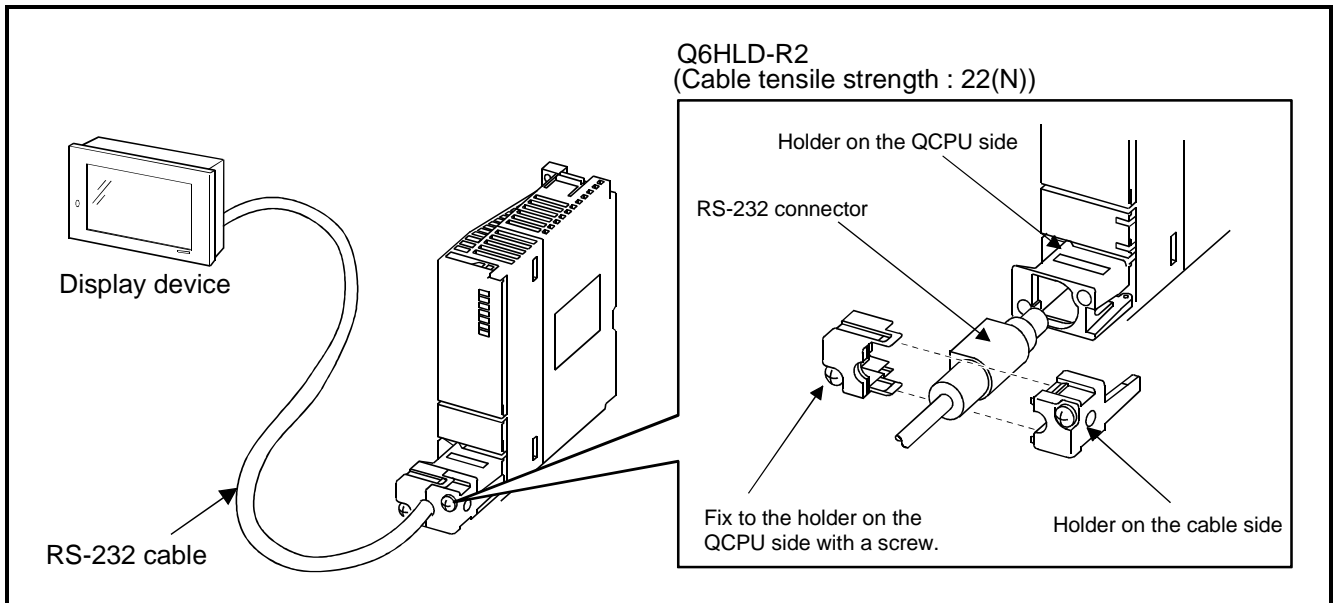
[Manual]

Manual name	Manual shipping form	IB/SH number	Model code
QCPU(Q Mode) User's Manual(Hardware)	Enclosed with main base unit (Q3□B-E)	IB-0800061	13JL96
Basic model QCPU (Q mode) User's Manual (Hardware Design, Maintenance and Inspection)	Sold separately *	SH-080187	13JR43
High Performance model QCPU(Q Mode) User's Manual (Hardware Design, Maintenance and Inspection)	Sold separately *	SH-080037	13JL97

* : Available soon

2. Type Q6HLD-R2 RS-232 connector disconnection prevention holder

By connecting the Q6HLD-R2 to the QCPU and display device, etc. with a RS-232 cable, in a system with constant communication, communication trouble caused by disconnection of the RS-232 connector attached to the QCPU is avoided.



[Features]

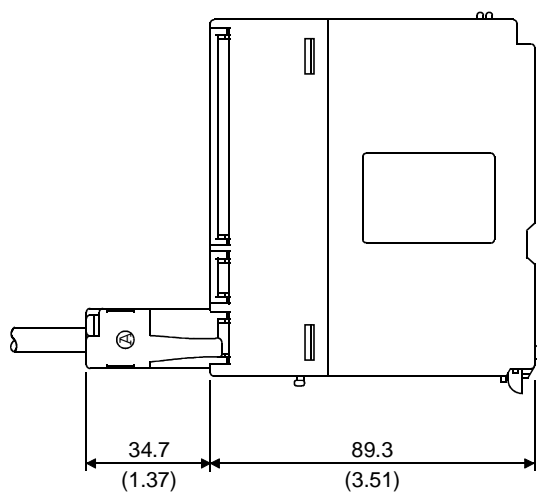
- The use of the Q6HLD-R2 prevents, the disconnection of the following two types of cables.

Applicable cable model name	Remark
QC30R2	RS-232 cable for connecting the PC and the CPU (3 m)
KURAMO ELECTRIC CO., FKRK620-□□□	RS-232 cable for connecting the PC and the CPU □□□: Cable effective length (0.1 m unit, 15 m or shorter)

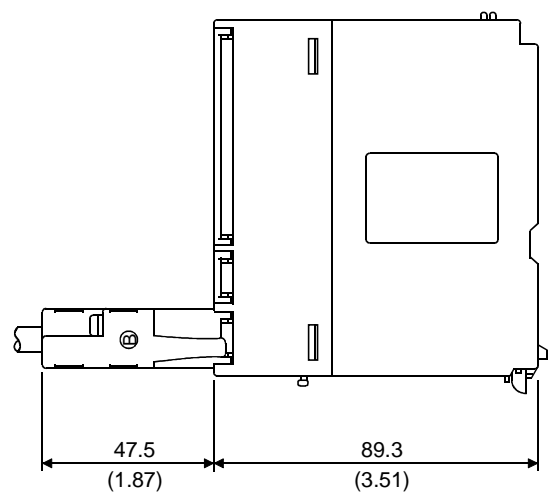
- The connection of the USB cable is not affected even when the Q6HLD-R2 is installed.

[External dimensions]

(1) When a QC30R2 cable is used



(2) When other cable is used



Unit : mm(inch)

[Manual]

Manual name	Manual shipping form	IB/SH number	Model code
Q6HLD-R2 Type RS-232 Connector Disconnection Prevention Holder User's Manual (written in both Japanese and English)	Enclosed with Q6HLD-R2	IB-0800181-A	13JT52

Country/Region	Sales office	Tel/Fax
U.S.A	Mitsubishi Electric Automation Inc. 500 Corporate Woods Parkway Vernon Hills, IL 60061	Tel : 1-847-478-2100 Fax : 1-847-478-0328
Brazil	MELCO-TEC Rep. Com.e Assessoria Tecnica Ltda. Av. Rio Branco, 123-15 ,and S/1507, Rio de Janeiro, RJ CEP 20040-005, Brazil	Tel : 55-21-221-8343 Fax : 55-21-221-9388
Germany	Mitsubishi Electric Europe B.V. German Branch Gothaer Strasse 8 D-40880 Ratingen, GERMANY	Tel : 49-2102-486-0 Fax : 49-2102-486-717
U.K	Mitsubishi Electric Europe B.V. UK Branch Travellers Lane, Hatfield, Herts., AL10 8XB,UK	Tel : 44-1707-276100 Fax : 44-1707-278695
Italy	Mitsubishi Electric Europe B.V. Italian Branch Centro Dir. Colleoni, Pal. Perseo - Ingr.2 Via Paracelso 12, 20041 Agrate B., Milano, Italy	Tel : 39-039-6053301 Fax : 39-039-6053312
Spain	Mitsubishi Electric Europe B.V. Spanish Branch Carretera de Rubi 76-80 08190 - Sant Cugat del Valles, Barcelona, Spain	Tel : 34-935-653135 Fax : 34-935-891579
South Africa	MSA Manufacturing (Pty) Ltd. P O Box 39733 Bramley 201 8 Johannesburg, South Africa	Tel : 27-11-444-8080 Fax : 27-11-444-8304
Hong Kong	Ryoden International Ltd. 10th Floor, Manulife Tower, 169 Electric Road, North Point, HongKong	Tel : 852-2887-8870 Fax : 852-2887-7984
China	Ryoden International Shanghai Ltd. 3F Block5 Building Automation Instrumentation Plaza 103 Cao Bao Rd. Shanghai 200233 China	Tel : 86-21-6475-3228 Fax : 86-21-6484-6996
Taiwan	Setsuyo Enterprise Co., Ltd. 6F., No.105 Wu-Kung 3rd.RD, Wu-Ku Hsiang, Taipei Hsine, Taiwan R.O.C.	Tel : 886-2-2299-2499 Fax : 886-2-2299-2509
Korea	HAN NEUNG TECHNO CO.,LTD. 1F Dong Seo Game Channel Bldg., 660-11,Deungchon-dong Kangsec-ku, Seoul, Korea	Tel : 82-2-3668-6567 Fax : 82-2-3664-8335
Singapore	Mitsubishi Electric Asia Pte, Ltd. 307 ALEXANDRA ROAD #05-01/02, MITSUBISHI ELECTRIC BUILDING SINGAPORE 159943	Tel : 65-473-2480 Fax : 65-476-7439
Thailand	F. A. Tech Co.,Ltd. 898/28,29,30 S.V.CITY BUILDING,OFFICE TOWER 2,FLOOR 17-18 RAMA 3 ROAD,BANGKONGPANG,YANNAWA,BANGKOK 10120	Tel : 66-2-682-6522 Fax : 66-2-682-6020
Indonesia	P.T. Autoteknindo SUMBER MAKMUR JL. MUARA KARANG SELATAN BLOK A UTARA NO.1 KAV. NO.11 KAWASAN INDUSTRI/ PERGUDANGAN JAKARTA - UTARA 14440	Tel : 62-21-663-0833 Fax : 62-21-663-0832
India	Messung Systems Put,Ltd. Electronic Sadan NO:111 Unit No15, M.I.D.C BHOSARI,PUNE-411026	Tel : 91-20-7128927 Fax : 91-20-7128108
Australia	Mitsubishi Electric Australia Pty. Ltd. 348 Victoria Road, PostalBag, No 2, Rydalmere, N.S.W 2116, Australia	Tel : 61-2-9684-7777 Fax : 61-2-9684-7245

01 (MEE)

Specifications subject to change without notice.

