

# AC007S

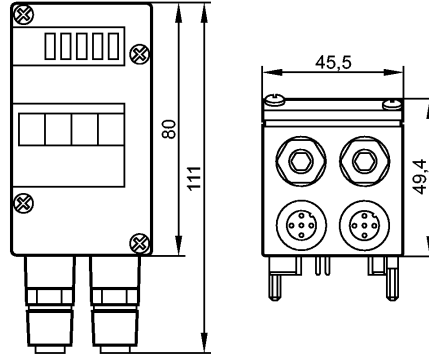
Universal module 2SI 2xOSSD

Bus system AS-Interface

**no longer available - archive entry**

Alternative article: AC508S

When selecting an alternative article and accessories please note that technical data may differ!



## Product characteristics

Safe active AS-i module

Connection via M12x1 sockets or cage clamps

For connection of an electro-sensitive protective equipment (ESPE) type 4 to EN 61496-1

Complies with the requirements:  
EN ISO 13849-1: category 4 PL e  
IEC 61508: SIL 3

## Electrical data

Electrical design	2 safe inputs (OSSD)
Operating voltage [V]	26.5...31.6 DC
Current consumption [mA]	< 35
Rated insulation voltage [V]	40
Pulse withstand voltage [kV]	0.5
Max. switch-off voltage [V]	
Overtoltage category	II
Electrical separation AS-interface - inputs (U AUX)	safe separation to IEC 61203: 40 V DC
Electrical separation AS-Interface - functional earth	basic insulation to IEC 61203: 40 V DC
Electrical separation inputs - functional earth (U AUX)	basic insulation to IEC 61203: 350 V DC
Protection class	III

## Inputs

Digital	
Circuit	DC PNP
Sensor supply	ext. 24 V DC PELV^
Voltage range [V]	20.4...28.8 DC
Max. current load for all inputs total [mA]	< 2000
Input current High/Low [mA]	6...10 / 0...2
Switching level High / Low [V]	> 11 / < 5
Short-circuit proof	yes

# AC007S

Universal module 2SI 2xOSSD

Bus system AS-Interface

Overload protection	yes
---------------------	-----

## Environment

Ambient temperature [°C]	-25...55
Storage temperature [°C]	-25...85
Max. relative air humidity [%]	95
Protection	IP 67

## Tests / approvals

EMC	EN 50295 IEC 62026-2
-----	-------------------------

## Safety classification

Mission time TM [h]	87600, (10 years), calculation basis: ambient temperature 40° C
Safety-related reliability PFHd [1/h]	1.54E-09
MTTFd [Years]	1500
DC/CCF/Cat.	99.4 % / - / -
Internal capacitance [nF]	< 10

## AS-i classification

AS-i version	2.11 / 3.0
Extended addressing mode possible	no
AS-i profile	S-0.B.E
I/O configuration [hex]	0
ID code [Hex]	B.E
AS-i certificate	80002
Max. number of safety modules per master	31

## Mechanical data

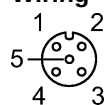
Cable length between module and electro-sensitive protective equipment [m]	< 10
Housing materials	PA 6
Weight [kg]	0.28

## Displays / operating elements

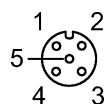
Operation LED	green
Error LED	Red
Function display LED	yellow

## Electrical connection

### Wiring



Socket 4 transmitter  
Pin 1: supply +24 V DC  
Pin 2: not used  
Pin 3: supply 0 V  
Pin 4: supply +24 V DC Test  
Pin 5: FE



Socket 3 receiver  
Pin 1: supply + 24 V DC  
Pin 2: OSSD2  
Pin 3: supply 0 V  
Pin 4: OSSD1  
Pin 5: FE

## Remarks

# AC007S

Universal module 2SI 2xOSSD

Bus system AS-Interface

Pack quantity [piece]

ifm electronic gmbh • Friedrichstraße 1 • 45128 Essen — We reserve the right to make technical alterations without prior notice. — GB — AC007S — 20.06.2016

**no longer available - archive entry**

**Alternative article: AC508S**

**When selecting an alternative article and accessories please note that technical data may differ!**